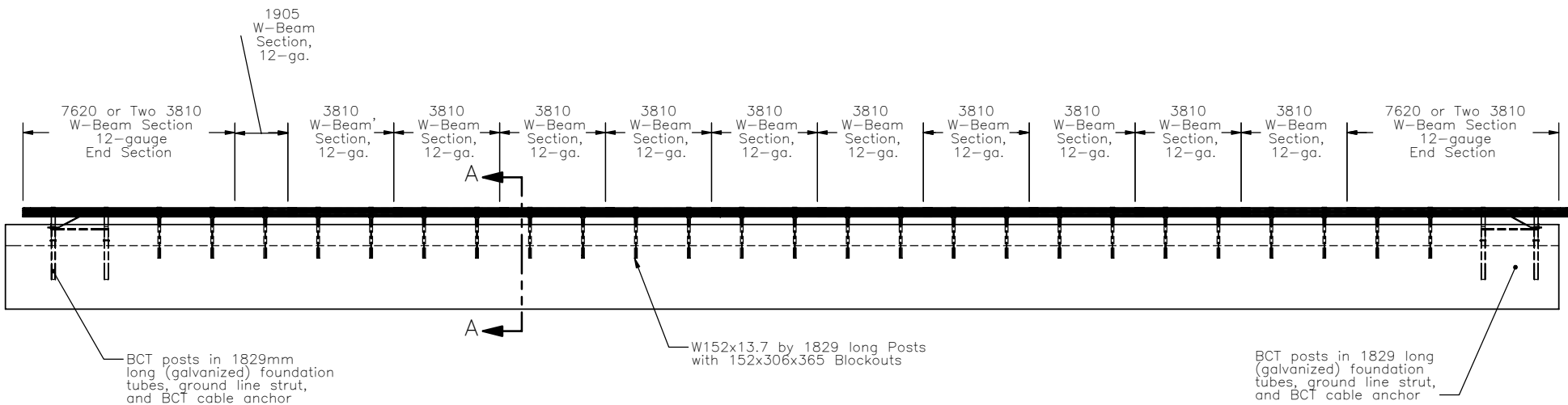
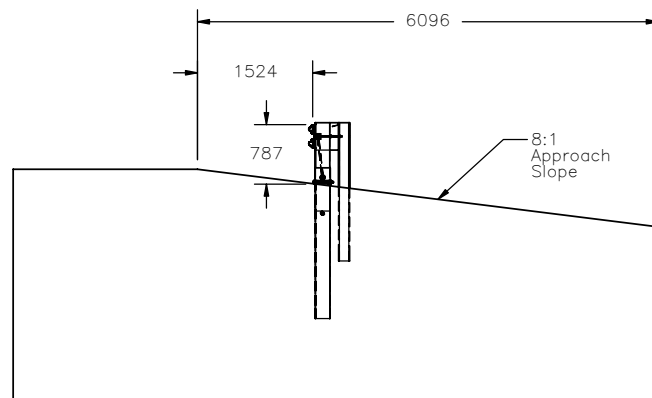


PLAN VIEW



FRONT VIEW



END VIEW



Midwest Roadside Safety Facility

MGS on Slope with Pickup Truck

System Layout
Approach Slope 8:1

SHEET:
1 of 7

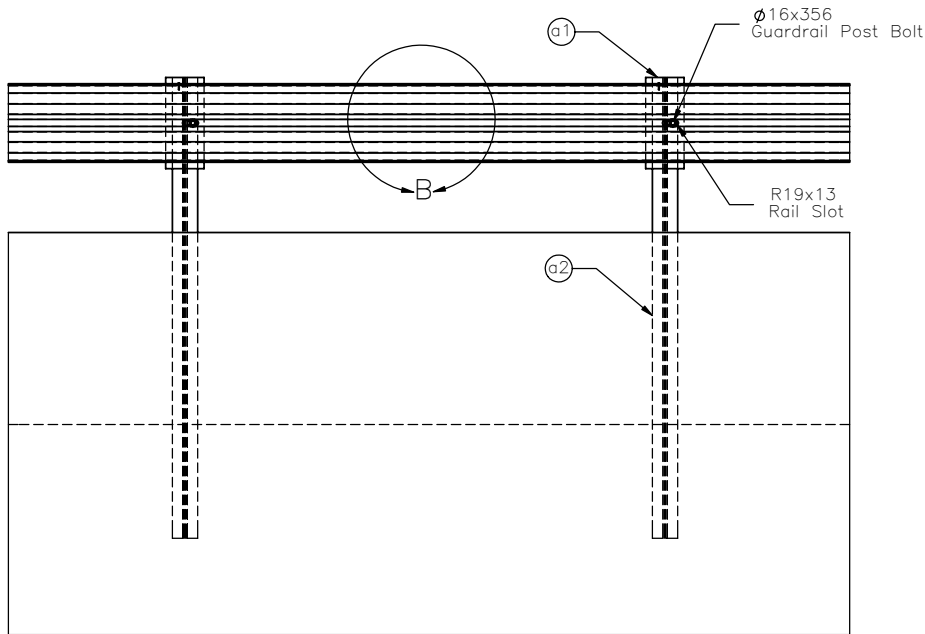
DATE:
5/17/2007

DRAWN BY:
GEP/CSS

DWG. NAME:
MGS_on_slope-metric

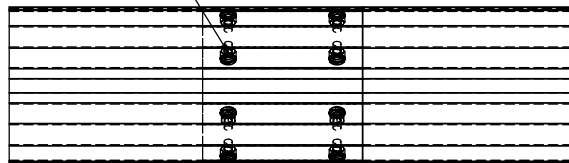
SCALE: None
UNITS: mm

REV. BY:
CSS

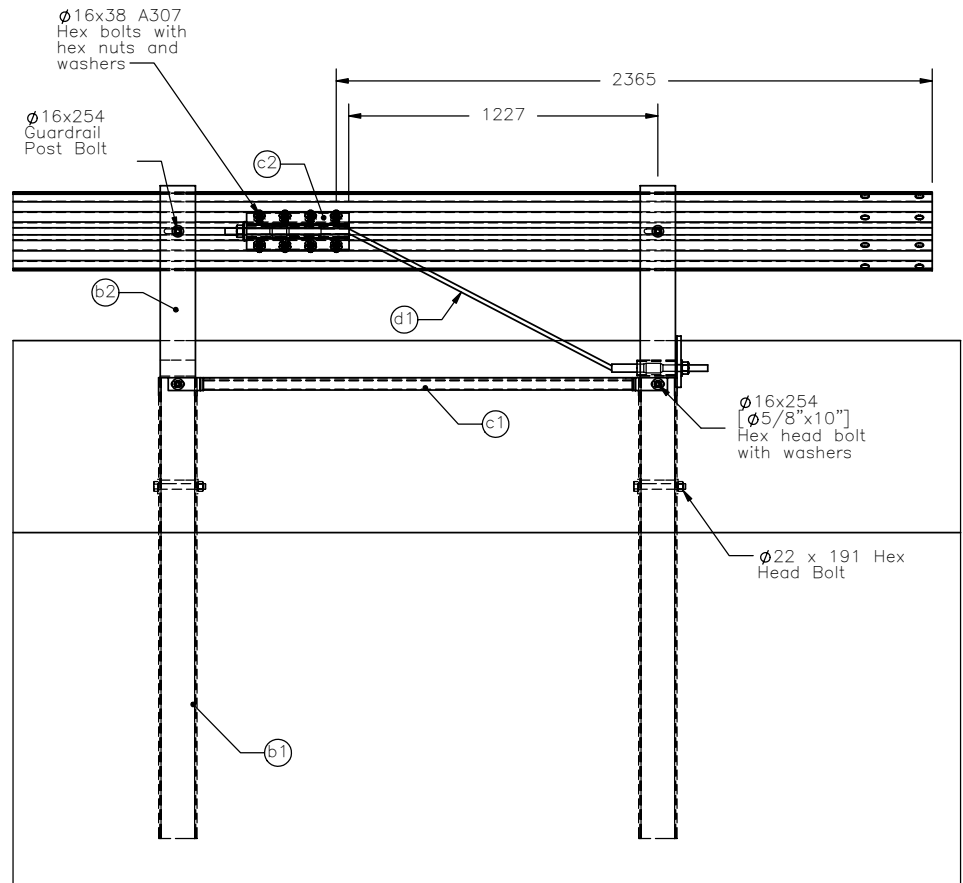


SPLICE DETAIL

Ø16 Std.
Guardrail
Splice Bolts



DETAIL B
SCALE 1 : 15



END RAIL DETAIL



Midwest Roadside
Safety Facility

MGS on Slope with Pickup Truck

End Rail Detail
Splice Detail

SHEET:
2 of 7

DATE:
5/17/2007

DRAWN BY:
GEP/CSS

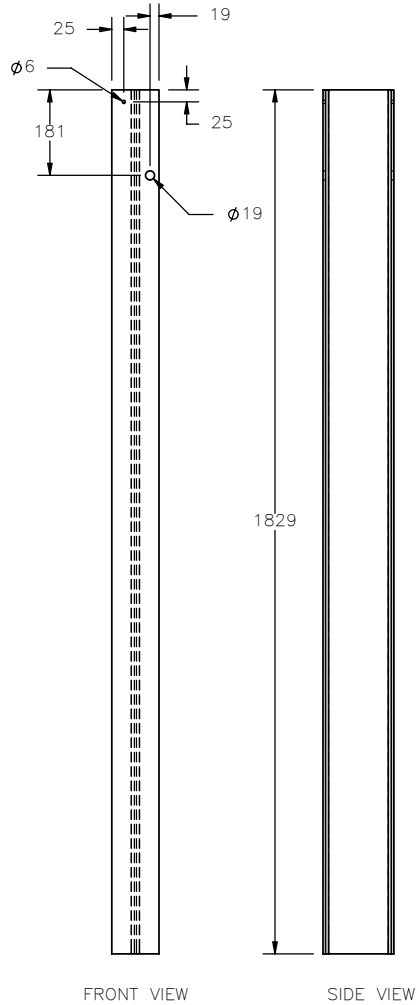
DWG. NAME.
MGS_on_slope--metric

SCALE: None
UNITS: mm

REV. BY:
CSS



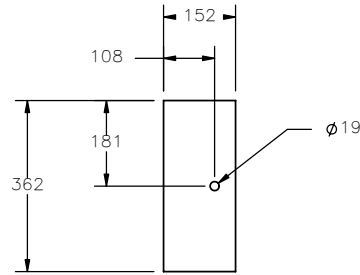
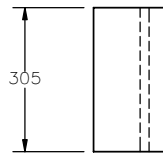
PLAN VIEW



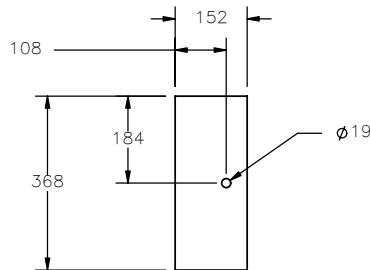
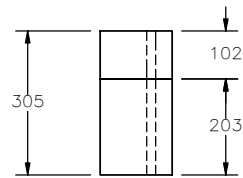
FRONT VIEW

SIDE VIEW

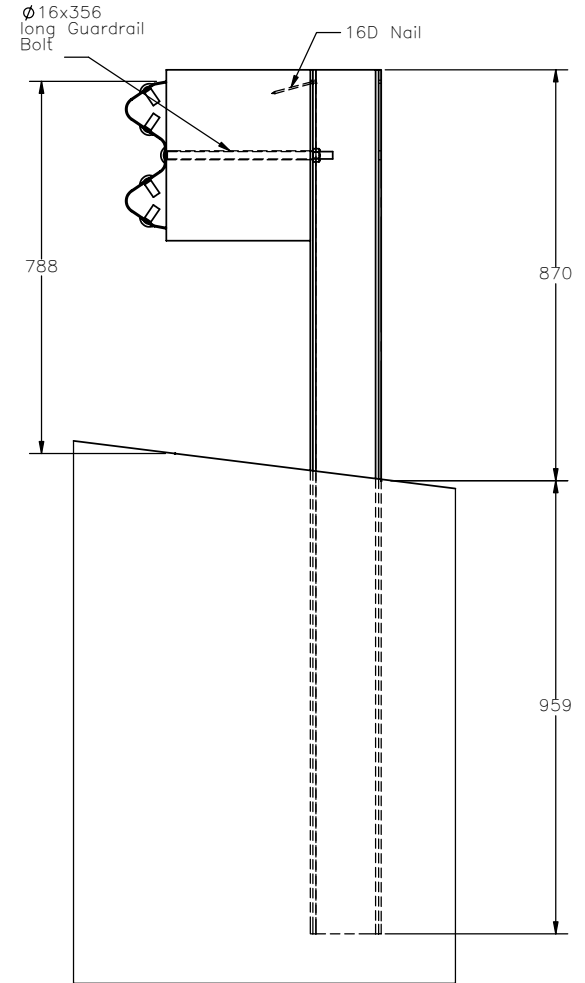
W-Beam Post
Part a1



W-Beam Blockout
Part a2



Optional Split
W-Beam Blockout
Part a2



SECTION A-A



Midwest Roadside
Safety Facility

MGS on Slope with Pickup Truck

Post 3-27 Detail

SHEET:
3 of 7

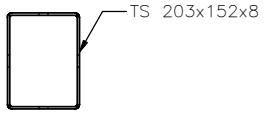
DATE:
5/17/2007

DRAWN BY:
GEP/CSS

DWG. NAME:
MGS_on_slope-metric

SCALE: None
UNITS: mm

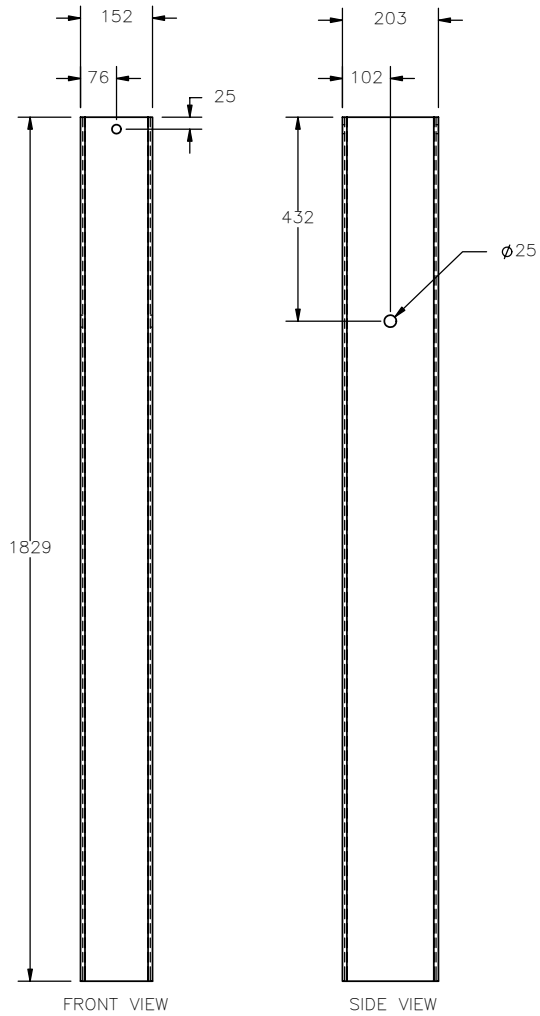
REV. BY:
CSS



PLAN VIEW



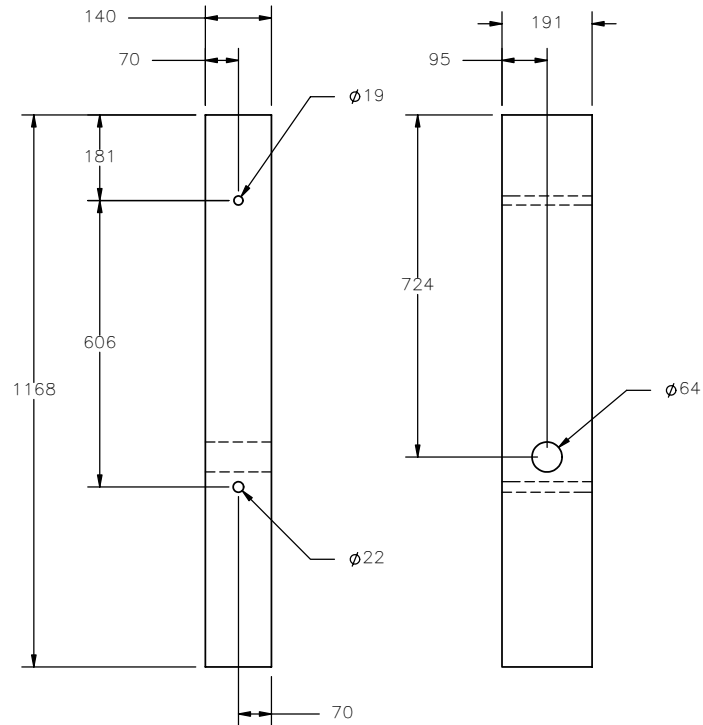
PLAN VIEW



FRONT VIEW

SIDE VIEW

Foundation Tube
Part b1



FRONT VIEW

SIDE VIEW

BCT (MGS) Timber Post
Part b2



Midwest Roadside
Safety Facility

MGS on Slope with Pickup Truck

BCT Post &
Foundation Tube Detail

SHEET:
4 of 7

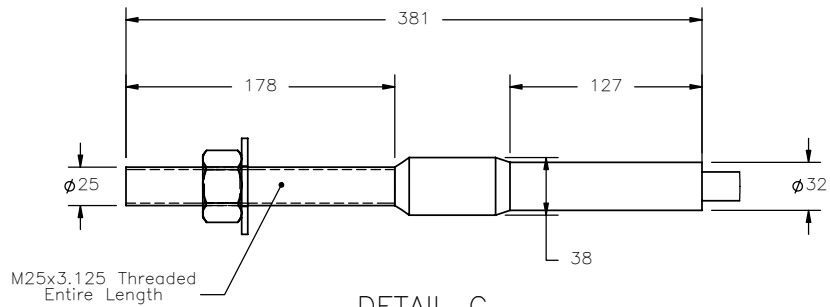
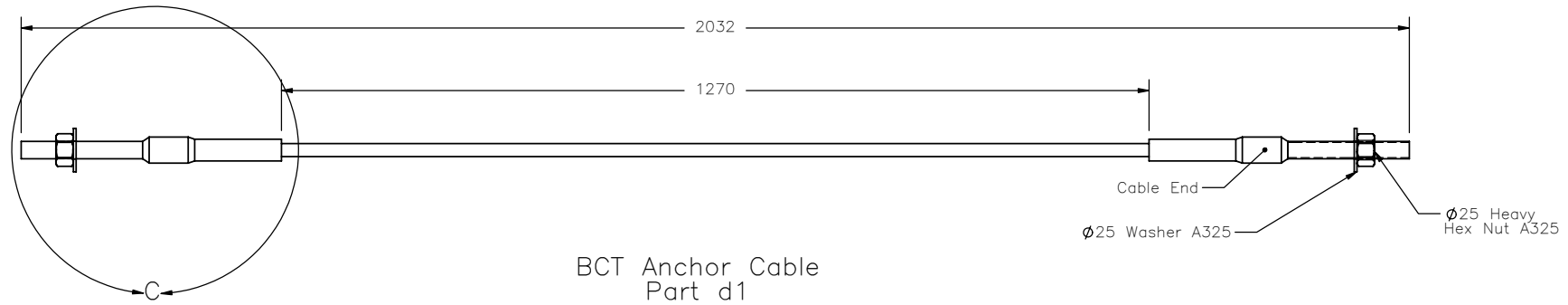
DATE:
5/17/2007

DRAWN BY:
GEP/CSS

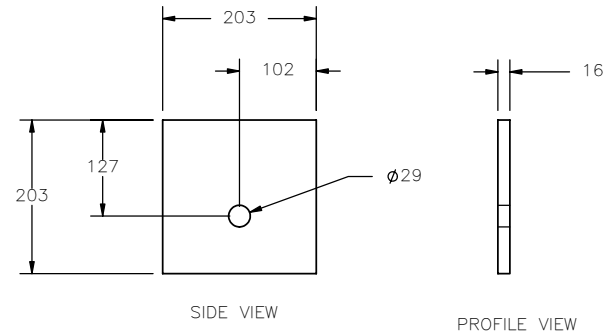
DWG. NAME:
MGS_on_slope-metric

SCALE: None
UNITS: mm

REV. BY:
CSS



DETAIL C
SCALE 1 : 5



Anchor Cable
Bearing Plate
Part d2



Midwest Roadside
Safety Facility

MGS on Slope with Pickup Truck

BCT Cable Anchor Detail

SHEET:
5 of 7

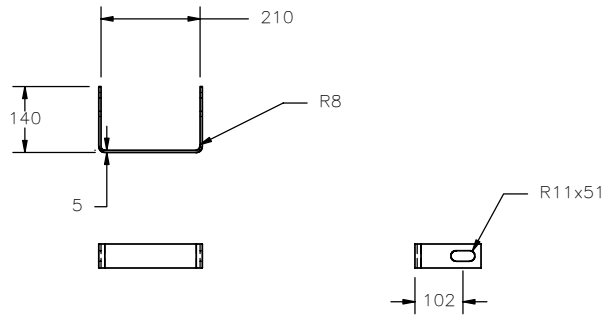
DATE:
5/17/2007

DRAWN BY:
GEP/CSS

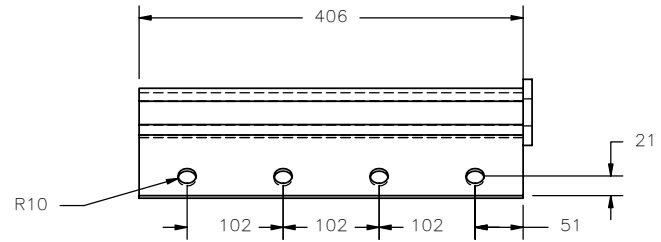
DWG. NAME:
MGS_on_slope-metric

SCALE: None
UNITS: mm

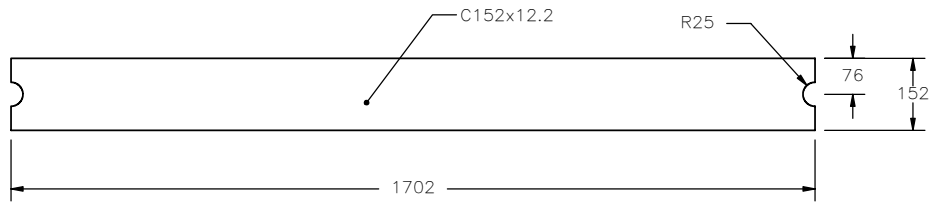
REV. BY:
CSS



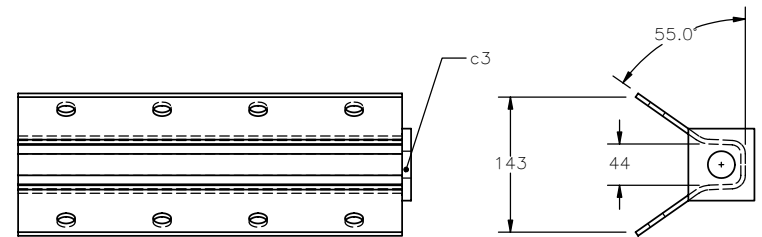
Yoke Detail



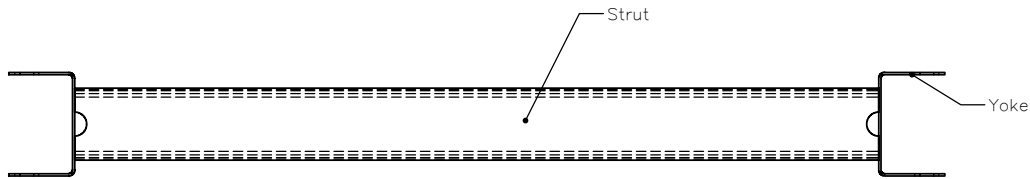
Anchor Bracket
Part c2



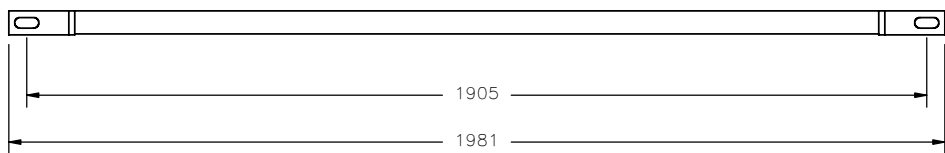
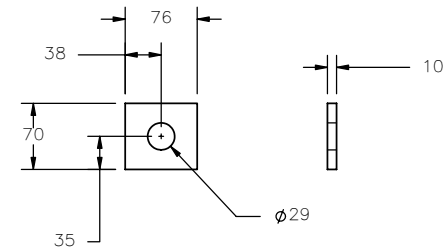
Strut Detail



Anchor Bracket
Bearing Plate
Part c3



PLAN VIEW



FRONT VIEW

Ground Strut
Part c1



Midwest Roadside
Safety Facility

MGS on Slope with Pickup Truck

Ground Strut &
Anchor Bracket Details

DWG. NAME.
MGS_on_slope-metric

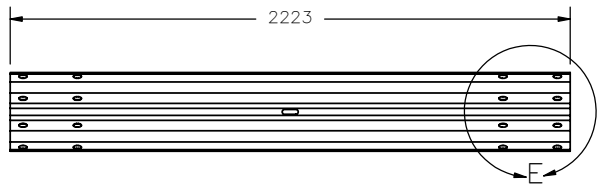
SCALE: None
UNITS: mm

SHEET:
6 of 7

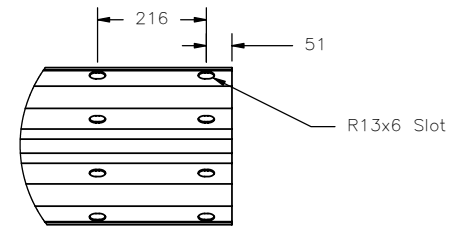
DATE:
5/17/2007

DRAWN BY:
GEP/CSS

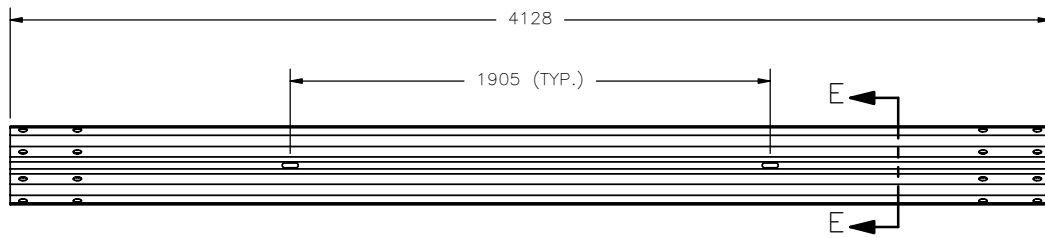
REV. BY:
CSS



1905 W-Beam Section, 12 gauge

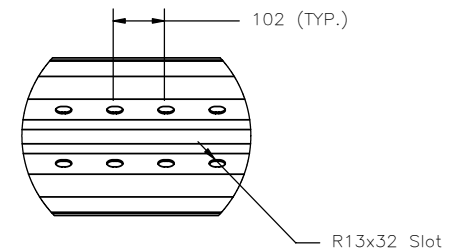


DETAIL E
SCALE 1 : 15

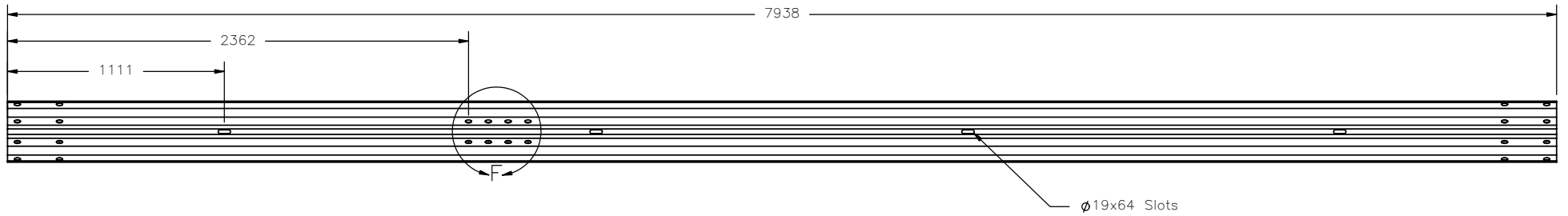


3810 W-Beam Section, 12 gauge

SECTION E-E



DETAIL F
SCALE 1 : 15



7620 W-Beam Section, 12 gauge, End Section



Midwest Roadside
Safety Facility

MGS on Slope with Pickup Truck

Rail Section Details

SHEET:
7 of 7

DATE:
5/17/2007

DRAWN BY:
GEP/CSS

DWG. NAME:
MGS_on_slope-metric

SCALE: None
UNITS: mm

REV. BY:
CSS