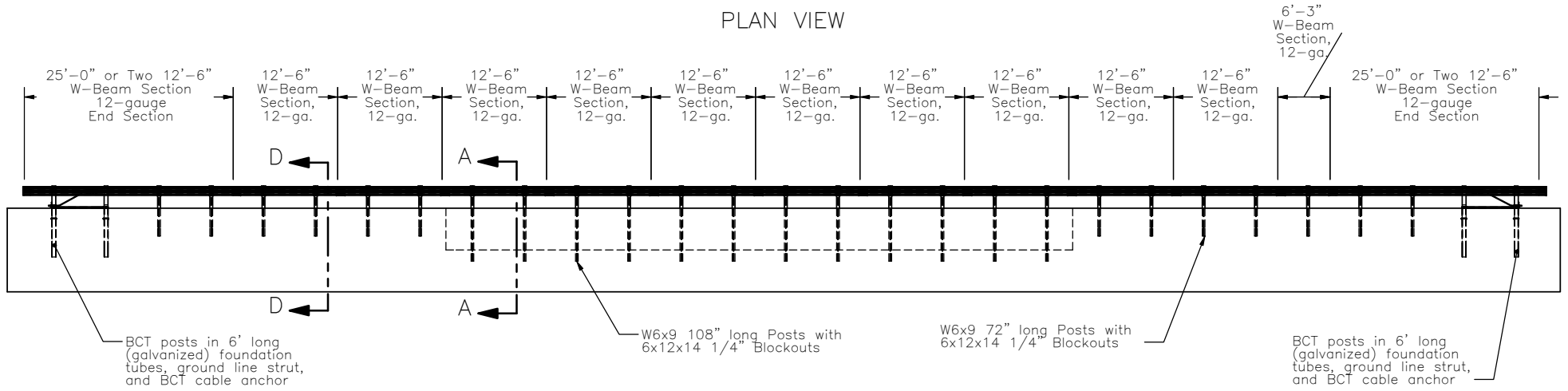
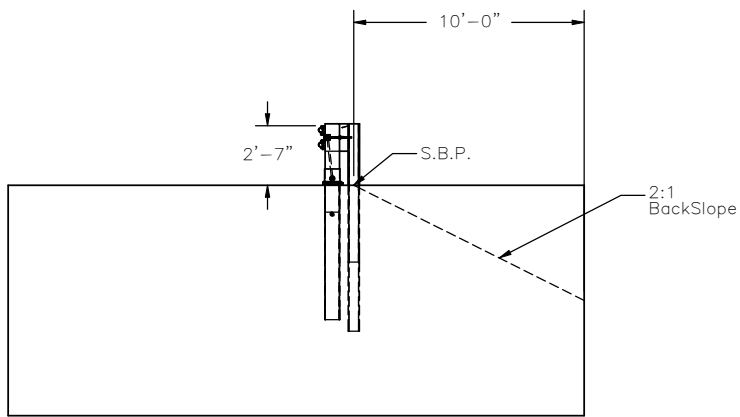


PLAN VIEW



FRONT VIEW



END VIEW

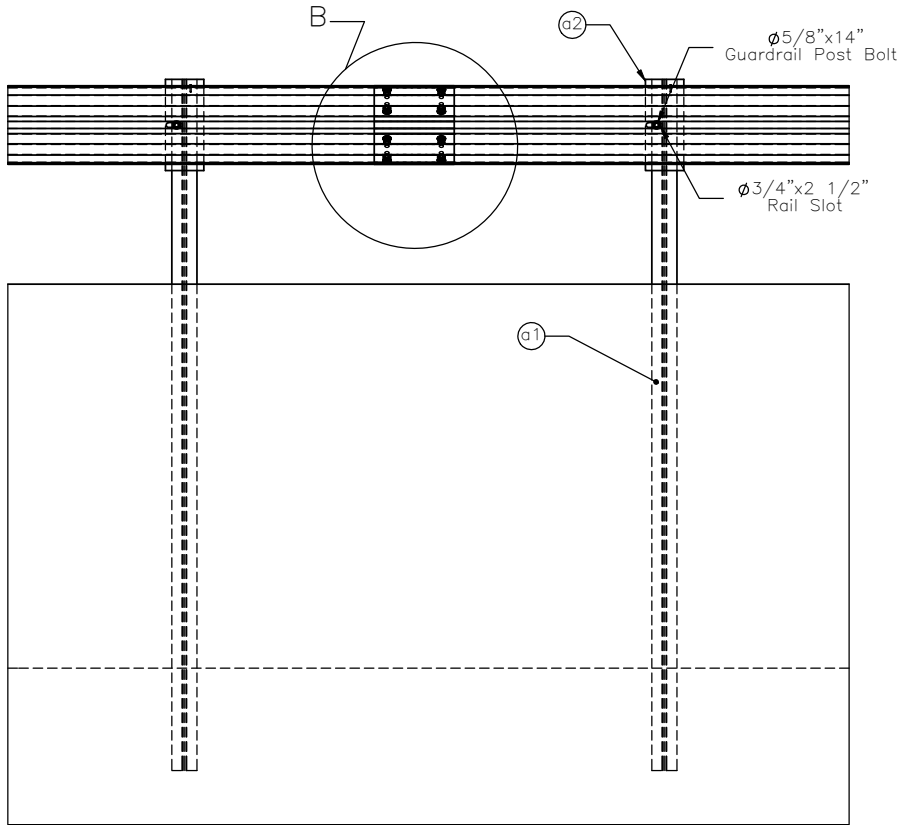


Midwest Roadside Safety Facility

MGS on a 2:1 Fill Slope
System Layout

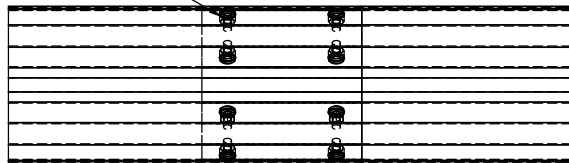
DWG. NAME: MGS_at_slope 31in.
SCALE: None
UNITS: Inches

SHEET: 1 of 8
DATE: 9/28/2006
DRAWN BY: CSS
REV. BY: CME

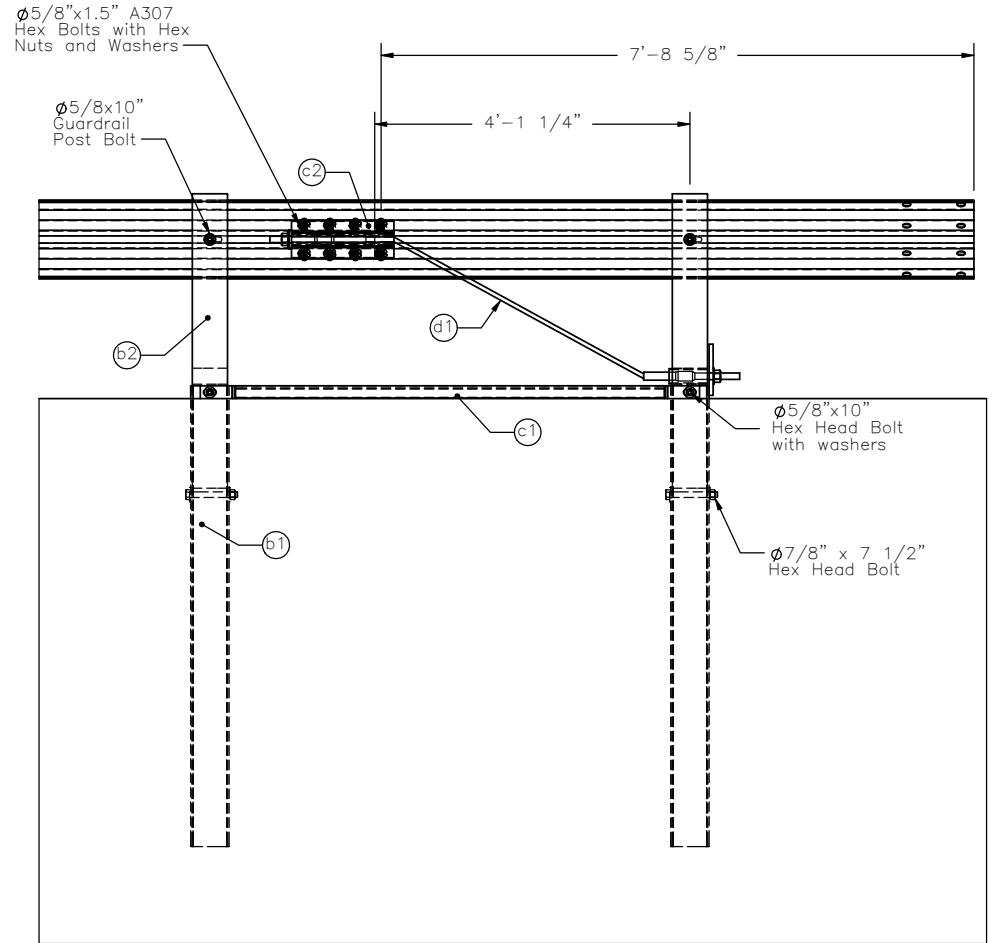


SPLICE DETAIL

ø5/8" Std.
Guardrail
Splice Bolts



DETAIL B
SCALE 1 : 15



END RAIL DETAIL



Midwest Roadside
Safety Facility

MGS on a 2:1 Fill Slope

End Rail Detail
Splice Detail

SHEET:
2 of 8

DATE:
9/28/2006

DRAWN BY:
CSS

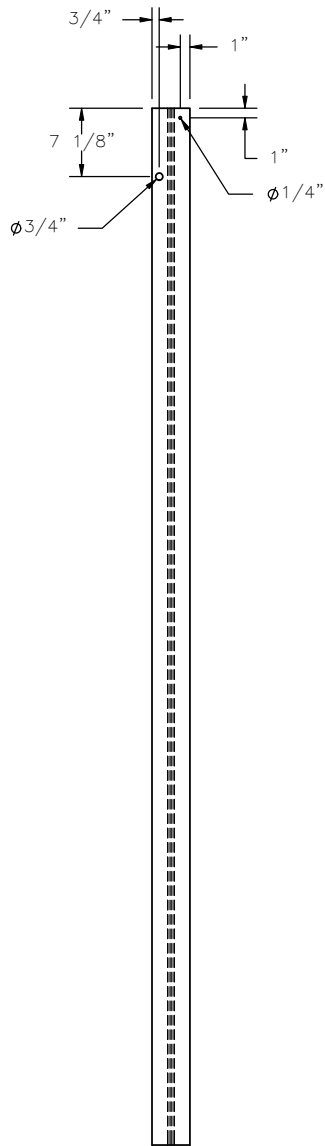
DWG. NAME:
MGS_at_slope 31in.

SCALE: None
UNITS: Inches

REV. BY:
CME

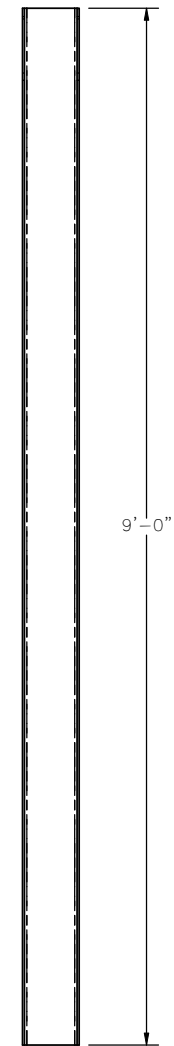


PLAN VIEW

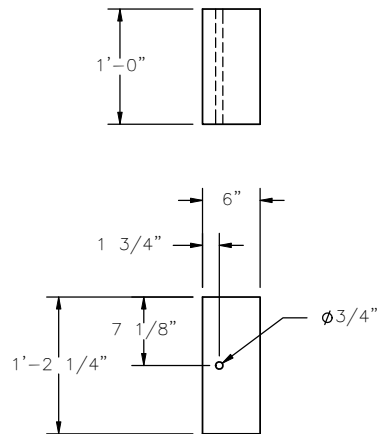


FRONT VIEW

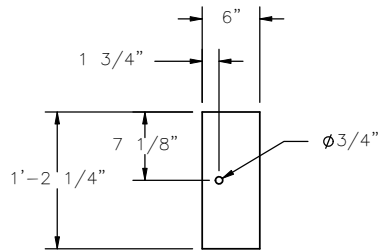
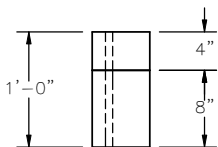
W6x9 Post
Part a1



SIDE VIEW

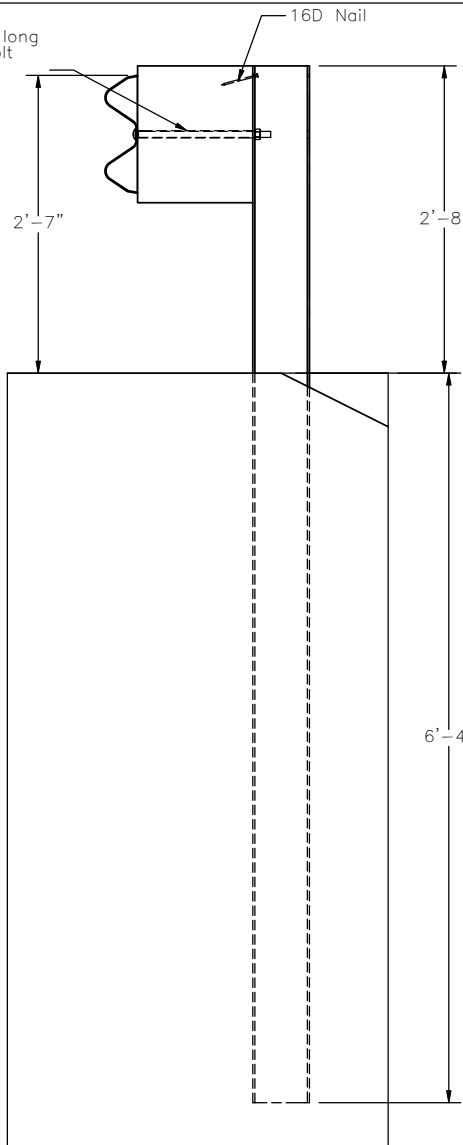


W-Beam Blockout
Part a2

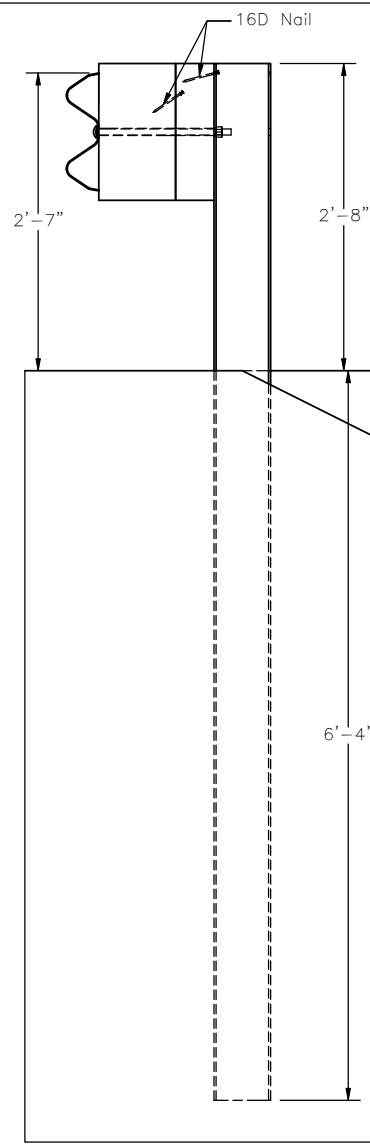


Optional Split
W-Beam Blockout
Part a2

$\phi 5/8 \times 14$ " long
Guardrail bolt



SECTION A-A
SCALE 1 : 20



SECTION A-A
Split Blockout Option



Midwest Roadside
Safety Facility

MGS on a 2:1 Fill Slope

Post 9-20 Detail

SHEET:

3 of 8

DATE:

9/28/2006

DRAWN BY:

CSS

REV. BY:

CME

DWG. NAME.

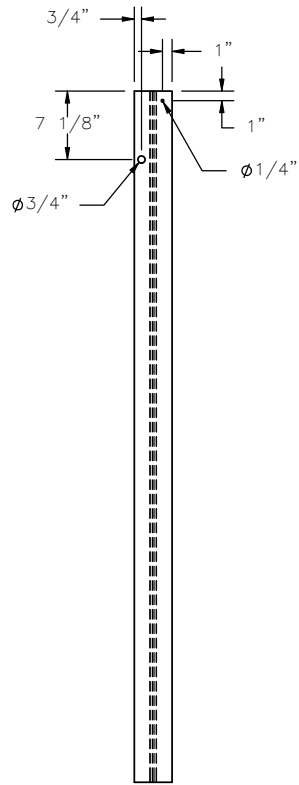
MGS_at_slope 31in.

SCALE: 1:20

UNITS: Inches

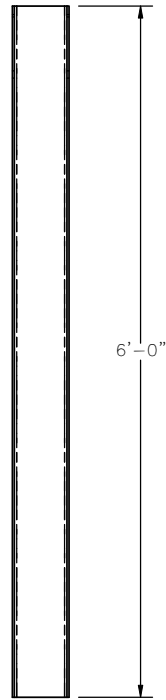


PLAN VIEW

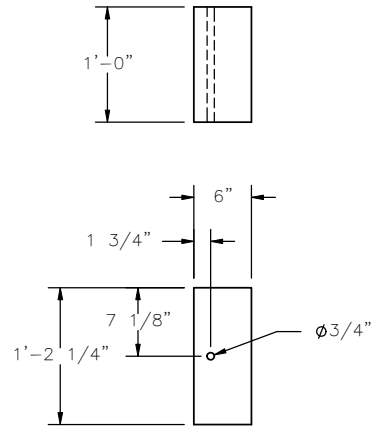


FRONT VIEW

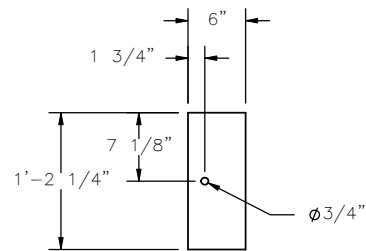
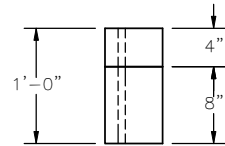
W6x9 Post
Part a3



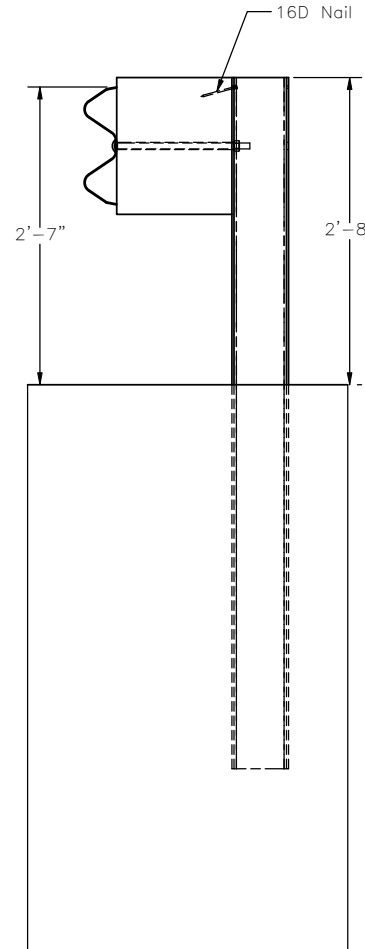
SIDE VIEW



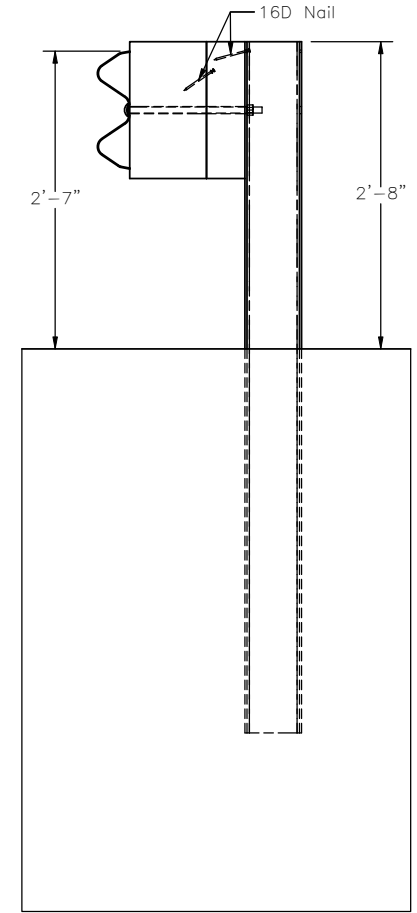
W-Beam Blockout
Part a2



Optional Split
W-Beam Blockout
Part a2



SECTION D-D
SCALE 1:20



SECTION D-D
Split Blockout Option



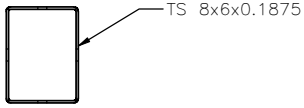
Midwest Roadside
Safety Facility

MGS on a 2:1 Fill Slope
Post 3-8, 21-27 Detail

DWG. NAME.
MGS_at_slope 31in.

SCALE: 1:20
UNITS: Inches

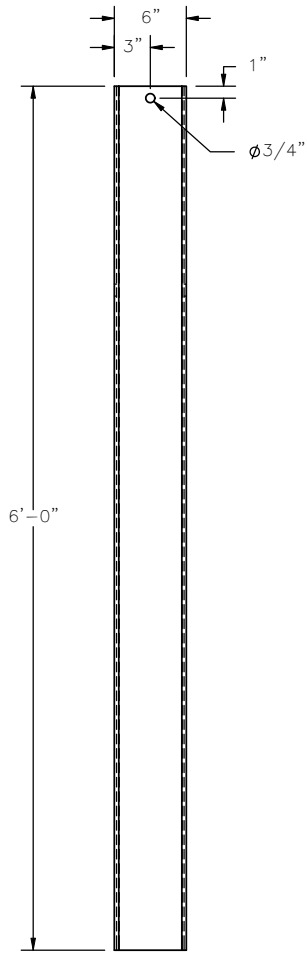
SHEET: 4 of 8
DATE: 9/28/2006
DRAWN BY: CSS
REV. BY: CME



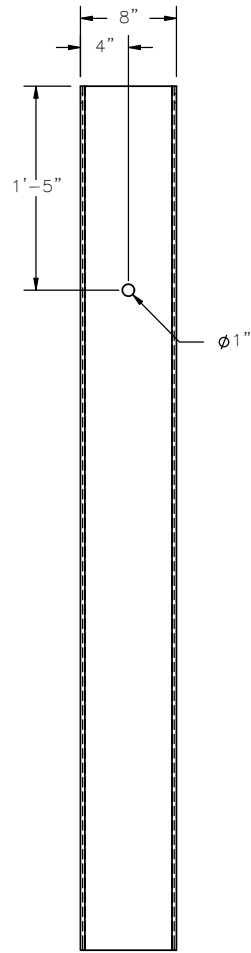
PLAN VIEW



PLAN VIEW

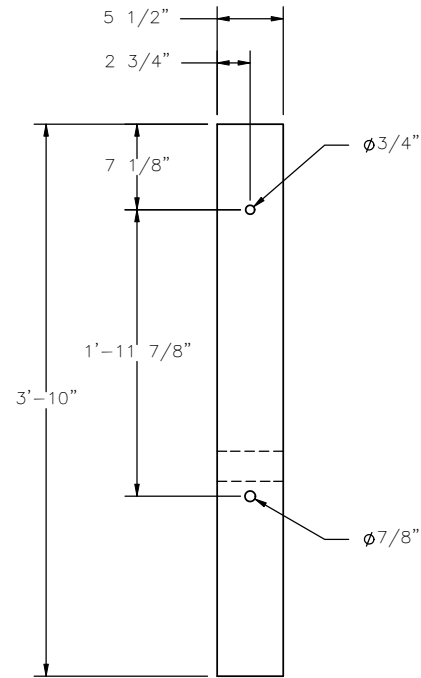


FRONT VIEW

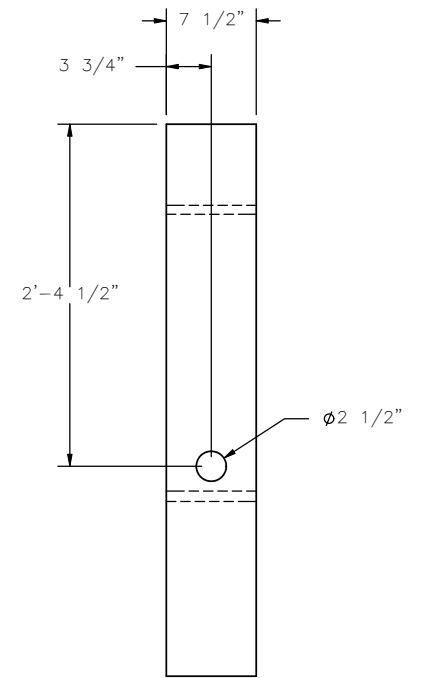


SIDE VIEW

Foundation Tube
Part b1



FRONT VIEW



SIDE VIEW



Midwest Roadside
Safety Facility

MGS on a 2:1 Fill Slope

BCT Post and
Foundation Tube Detail

SHEET:

5 of 8

DATE:

9/28/2006

DRAWN BY:

CSS

REV. BY:

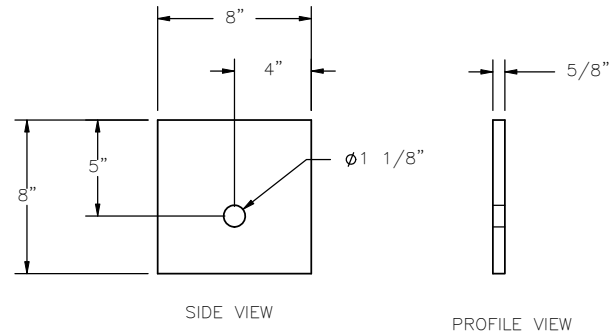
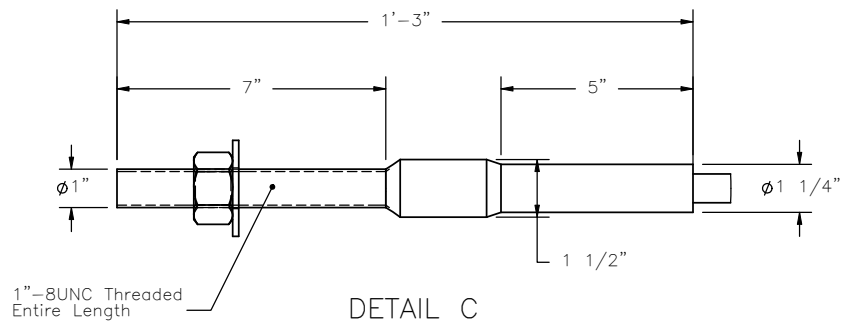
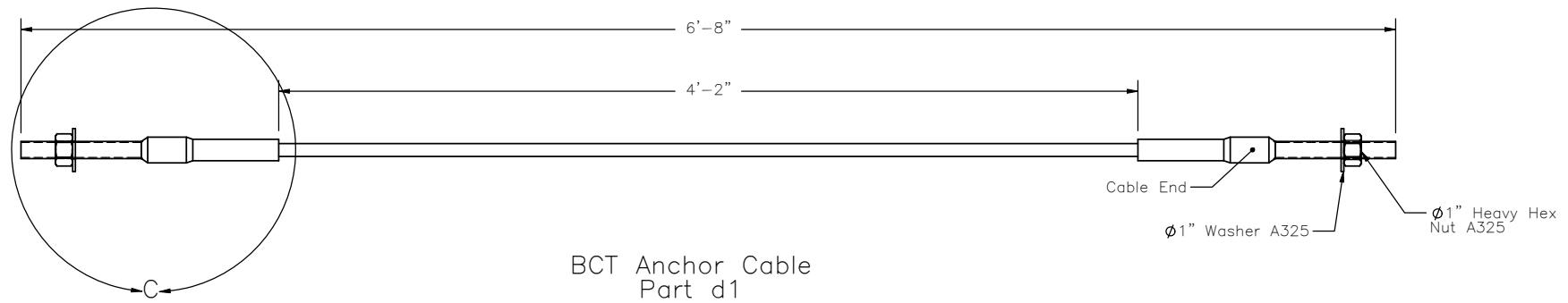
CME

DWG. NAME.

MGS_at_slope 31in.

SCALE: 1:16

UNITS: Inches



Anchor Cable
Bearing Plate
Part d2



Midwest Roadside
Safety Facility

MGS on a 2:1 Fill Slope

BCT Cable Anchor
Detail

DWG. NAME.
MGS_at_slope 31in.

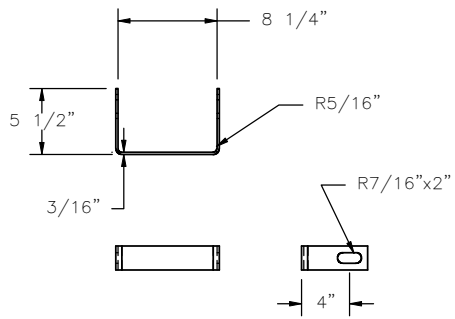
SCALE: None
UNITS: Inches

SHEET:
6 of 8

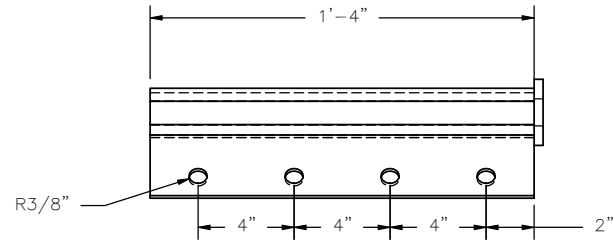
DATE:
9/28/2006

DRAWN BY:
CSS

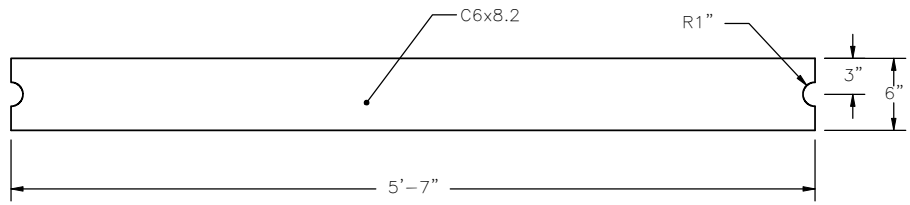
REV. BY:
CME



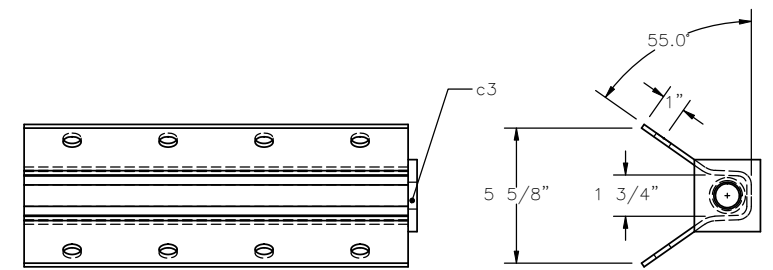
Yoke Detail



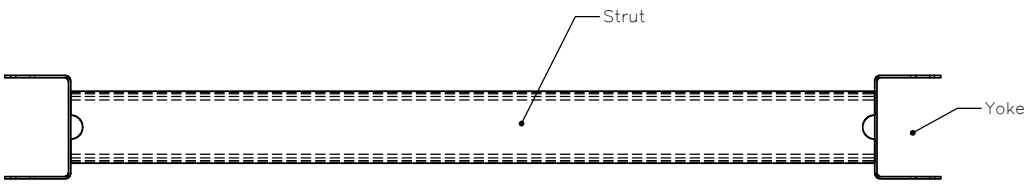
Anchor Bracket Part c2



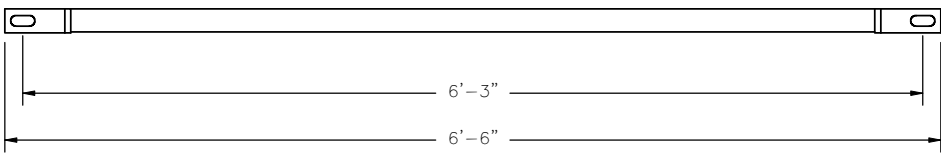
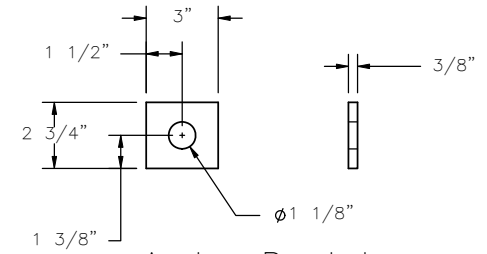
Strut Detail



Anchor Bracket Bearing Plate Part c3




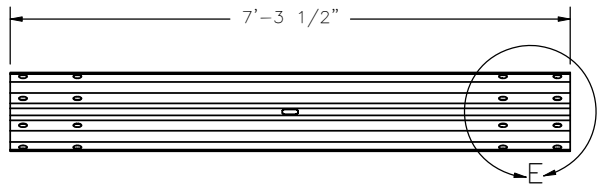
PLAN VIEW



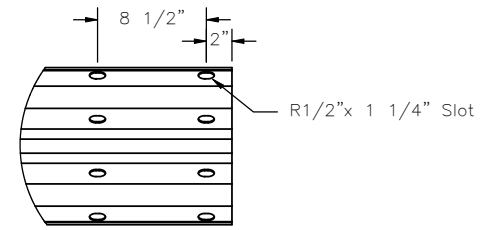
FRONT VIEW

Ground Strut Part c1

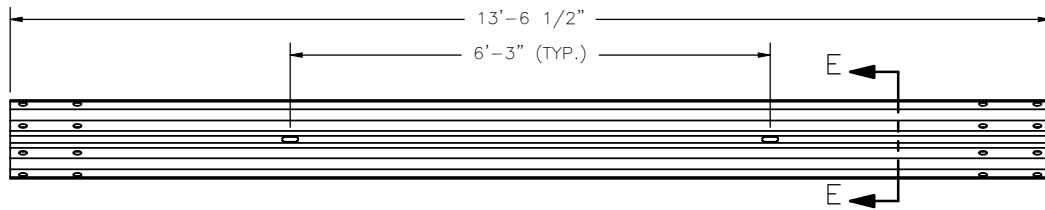
 Midwest Roadside Safety Facility	MGS on a 2:1 Fill Slope		SHEET: 7 of 8
	Ground Strut & Anchor Bracket Details		DATE: 9/28/2006
		DWG. NAME: MGS_at_slope 31in.	DRAWN BY: CSS
		SCALE: 1:16 UNITS: Inches	REV. BY: CME



6'-3" W-Beam Section, 12 gauge

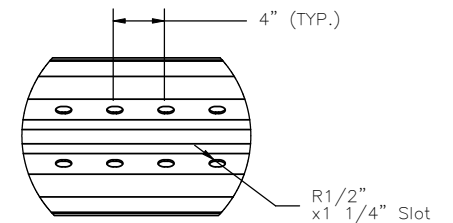


DETAIL E
SCALE 1 : 15

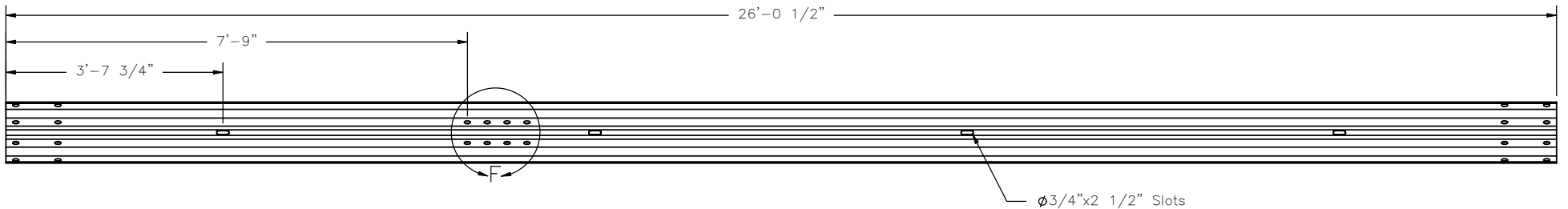


12'-6" W-Beam Section, 12 gauge

SECTION E-E



DETAIL F
SCALE 1 : 15



25' W-Beam Section, 12 gauge, End Section



Midwest Roadside
Safety Facility

MGS on a 2:1 Fill Slope
Rail Section Details

SHEET:
8 of 8
DATE:
9/28/2006
DRAWN BY:
CSS
REV. BY:
CME

DWG. NAME:
MGS_at_slope 31in.

SCALE: None
UNITS: Inches