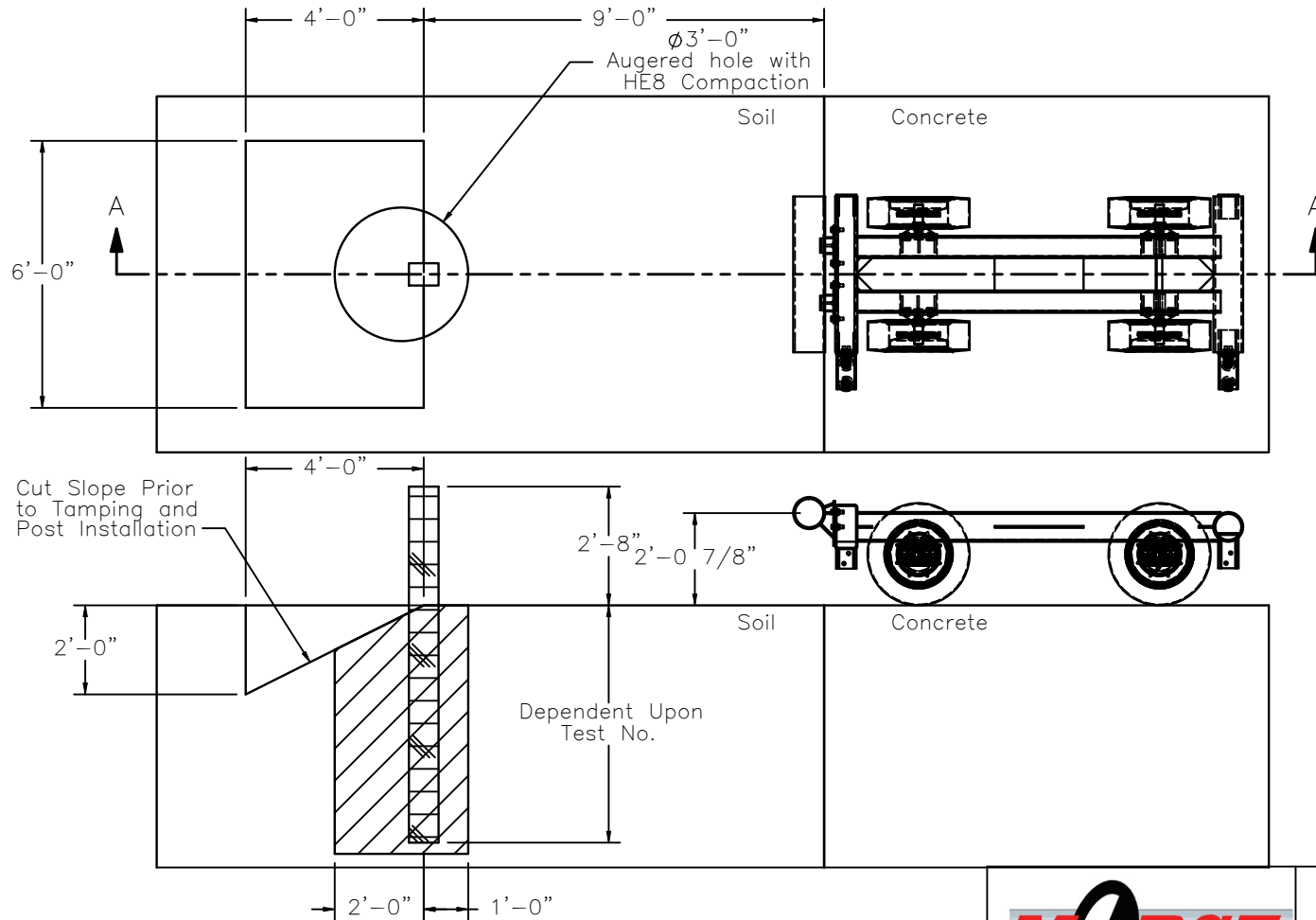


Test No.	Post Type	Test Quantity	Load Height	Bogie No.	Estimated Bogie Weight (lbs)	Bogie Speed (mph)
MGS221pt-24	Southern Yellow Pine 6"x8"x8'	1	24 7/8"	3	1860	15
MGS221pt-25	Southern Yellow Pine 6"x8"x7.5'	1	24 7/8"	3	1860	15
MGS221pt-26	Southern Yellow Pine 6"x8"x7.5'	1	24 7/8"	3	1860	15
MGS221pt-27	W6x9 9' Long	1	24 7/8"	3	1860	15
MGS221pt-28	W6x9 9' Long	1	24 7/8"	3	1860	15



Notes:

1. Post testing is to be conducted in the standard guardrail pit as shown.
2. For post installation, cut the 2:1 slope prior to any tamping. Next auger a 3' hole and install the post 1' back from the front edge of the hole relative to the center of the post. Finish installation by backfilling the hole and tamp using the HE 8 method. After the soil has been compacted reconstruct the 2:1 slope using the HE 8 compaction method in the augered hole area.

SECTION A-A
SCALE 1 : 49



Midwest Roadside
Safety Facility

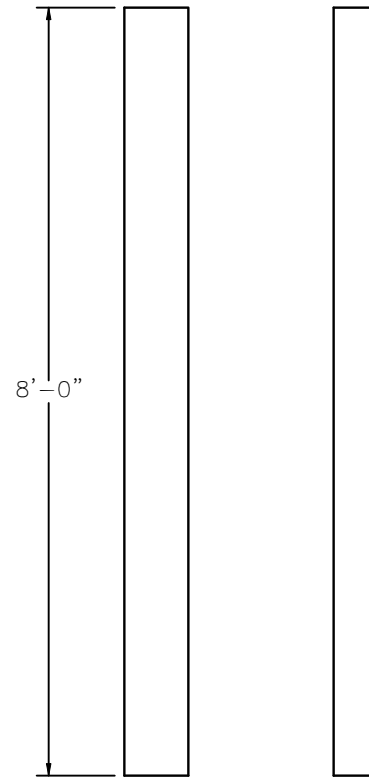
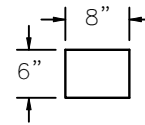
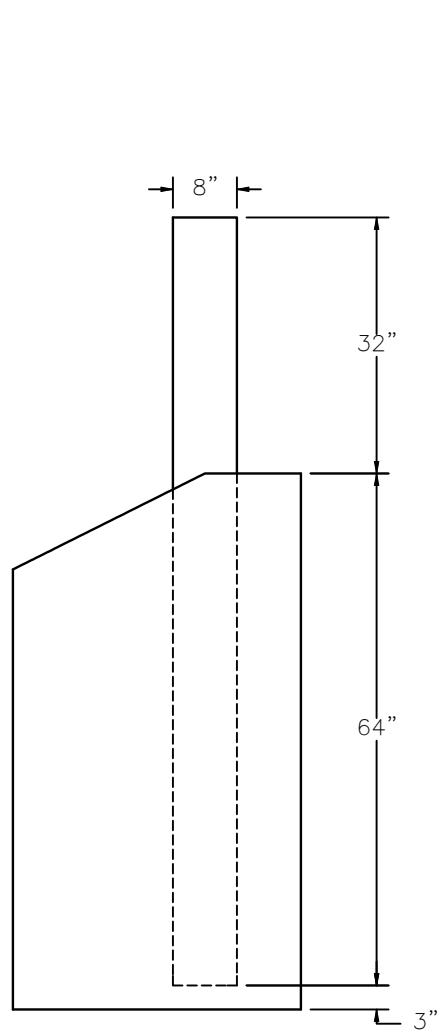
MGS on 2:1 Slope Post
Testing

Test Setup

DWG. NAME.
mgs2-1pt24 through 28_v0

SCALE: 1:32
UNITS: Inches

SHEET:
1 of 4
DATE:
8/18/2009
DRAWN BY:
MJW/EAJ/
RJT
REV. BY:
KAL/RKF



6x8 Southern Yellow Pine
No Knots

Note: (1) When selecting post for testing, ensure that there are no knots in the posts' tensile region (18" above ground line and 30" below).



Midwest Roadside
Safety Facility

MGS on 2:1 Slope Post
Testing

Southern Yellow Pine
8 ft Post

DWG. NAME:
mgs2-1pt24 through 28_v0

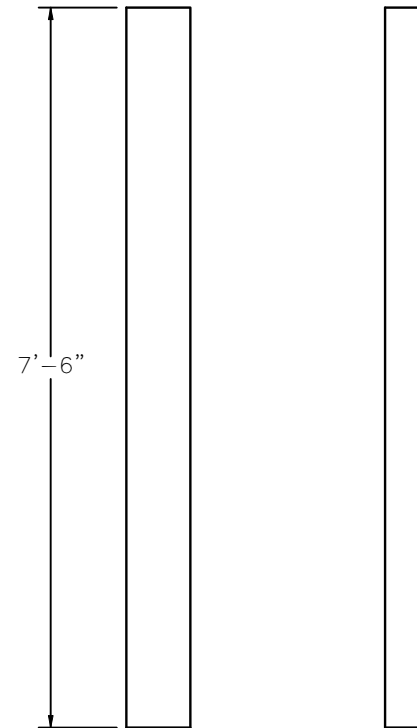
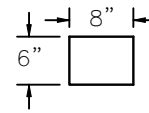
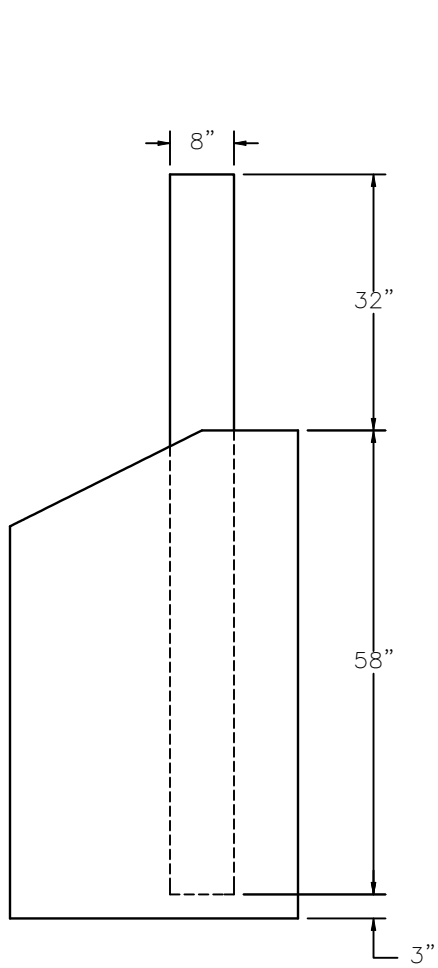
SCALE: 1:24
UNITS: Inches

SHEET:
2 of 4

DATE:
8/18/2009


DRAWN BY:
MJW/EAJ/
RJT

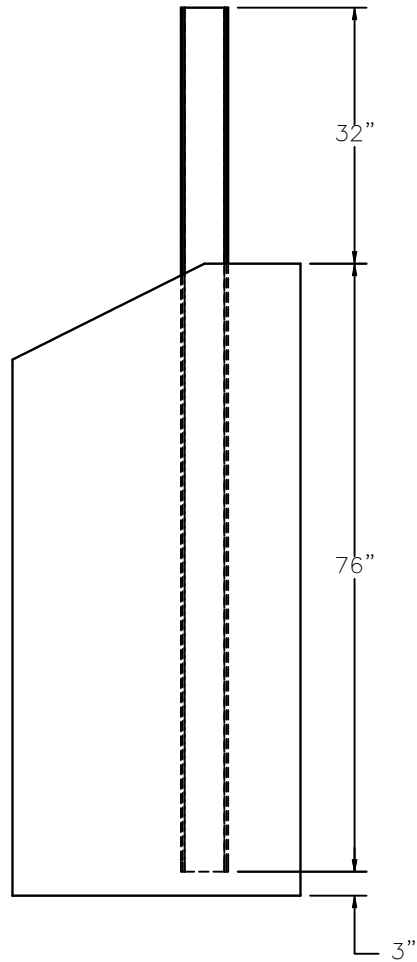
REV. BY:
KAL/RKF



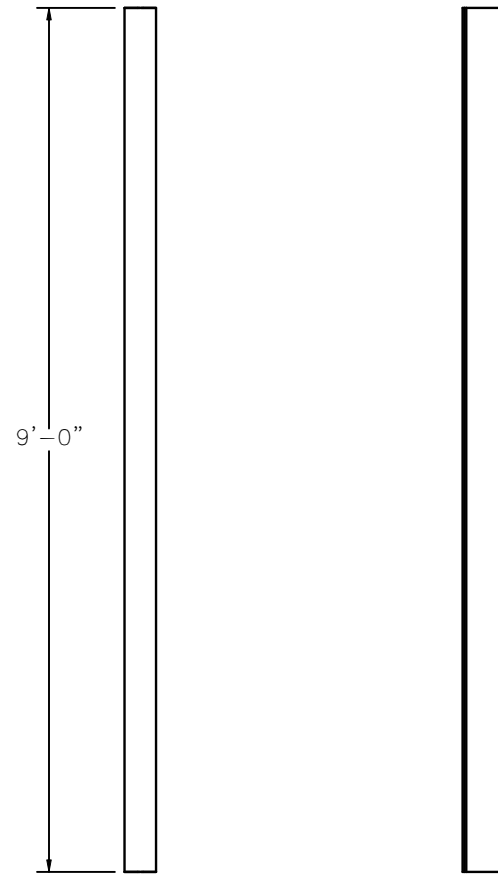
6x8 Southern Yellow Pine
No Knots

Note: (1) When selecting post for testing, ensure that there are no knots in the posts' tensile region (18" above ground line and 30" below).

 Midwest Roadside Safety Facility	MGS on 2:1 Slope Post Testing	SHEET: 3 of 4
	Southern Yellow Pine 7.5 ft Post	DATE: 8/18/2009
DWG. NAME: mgs2-1pt24 through 28_v0	SCALE: 1:24 UNITS: Inches	DRAWN BY: MJW/EAJ/ RJT
		REV. BY: KAL/RKF



I



W6x9 Steel Post



Midwest Roadside
Safety Facility

MGS on 2:1 Slope Post
Testing

W6x9 Steel Post, 9' Long

DWG. NAME.
mgs2-1pt24 through 28_v0

SCALE: None
UNITS: Inches

SHEET:
4 of 4
DATE:
8/18/2009
DRAWN BY:
MJW/EAJ/RJT
REV. BY:
KAL/RKF