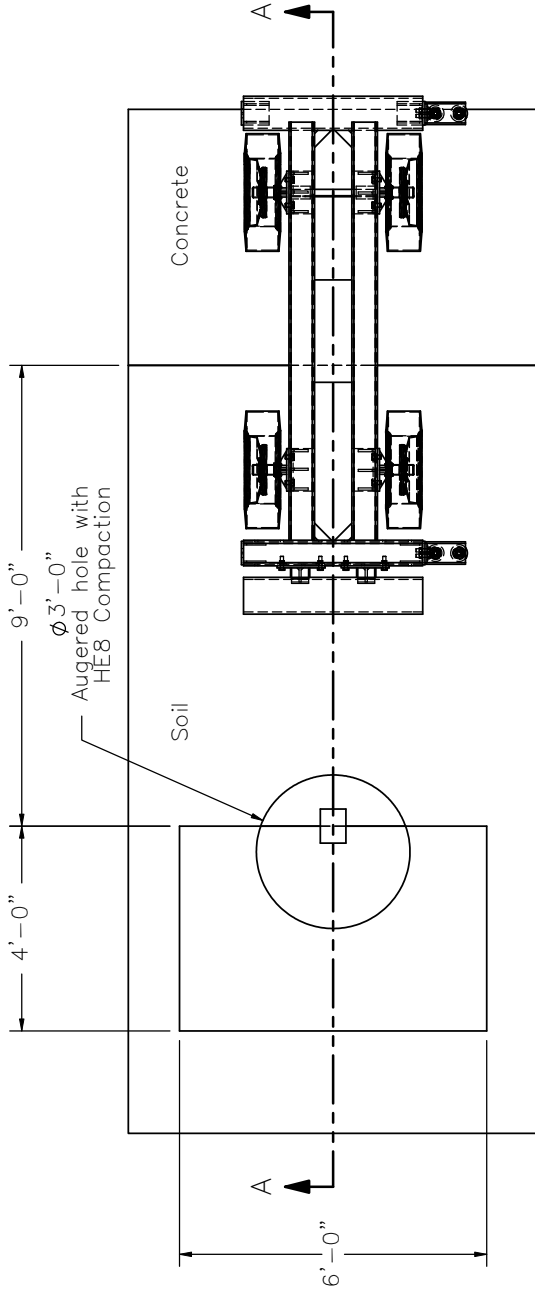
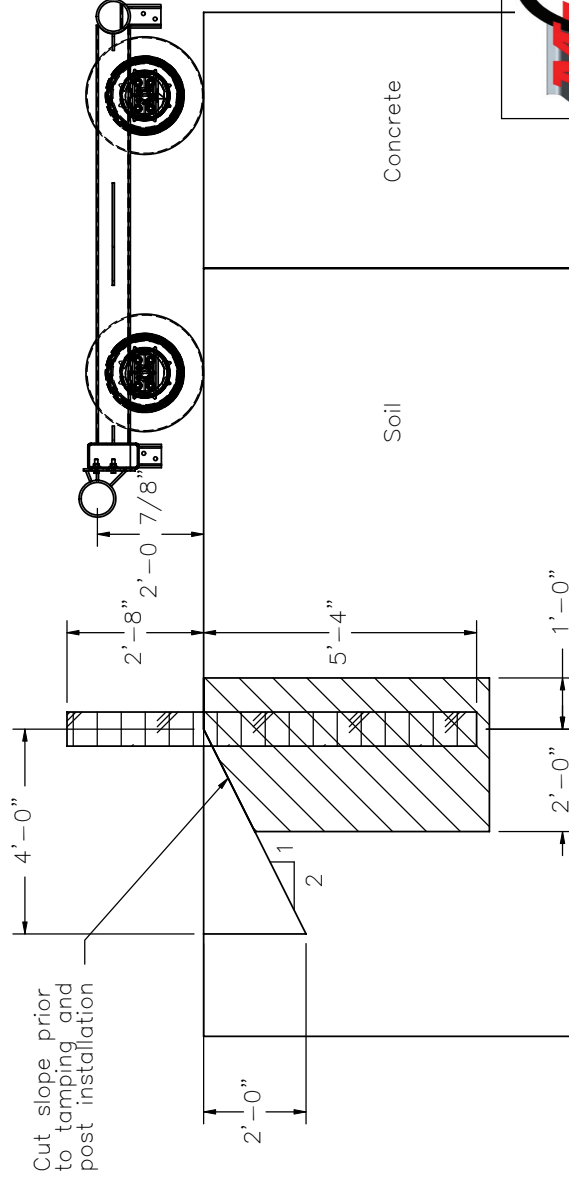


Test No.	Post Type	Test Quantity	Load Height	Bogie No.	Estimated Bogie Weight (lbs)	Bogie Speed (mph)
mgs2-1pt23	Southern Yellow Pine 6"x8"x8'	1	24 7/8"	3	1860	15
TBD	Southern Yellow Pine 6"x8"xTBD	2	24 7/8"	3	1860	15



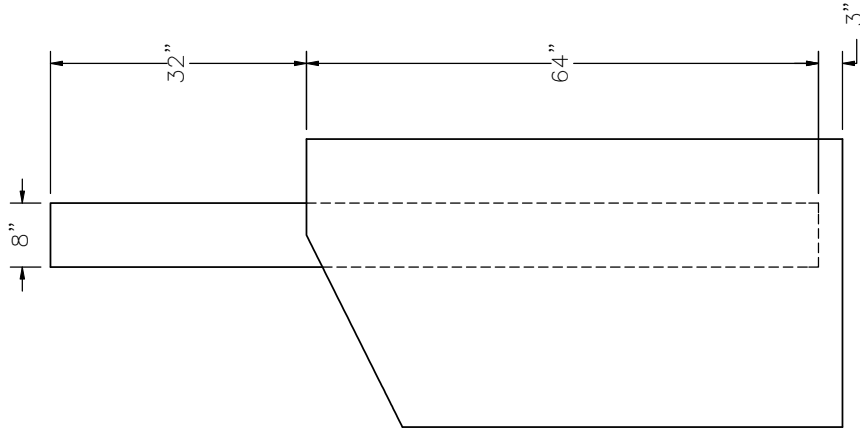
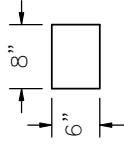
Notes:

1. Post testing is to be conducted in the standard guardrail pit as shown.
2. For post installation, cut the 2:1 slope prior to any tamping. Next auger a 3' hole and install the post 1' back from the front edge of the hole relative to the center of the post. Finish installation by backfilling the hole and tamp using the HE 8 method. After the soil has been compacted, reconstruct the 2:1 slope using the HE 8 compaction method in the augered hole area.




Midwest Roadside Safety Facility

SHEET: 1 of 3	MGS on 2:1 Slope Post Testing
DATE: 6/25/2009	Test Setup
DRAWN BY: MJW/EAJ/RJT	
REV. BY: KAL/RKF	DWG. NAME: mgs2-1pt23_v3
SCALE: 1:32	UNITS: Inches



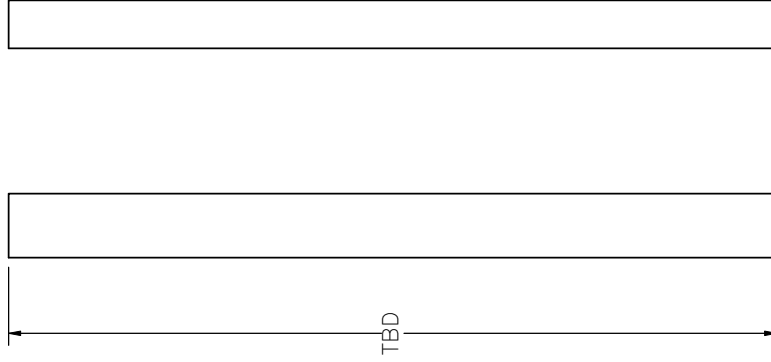
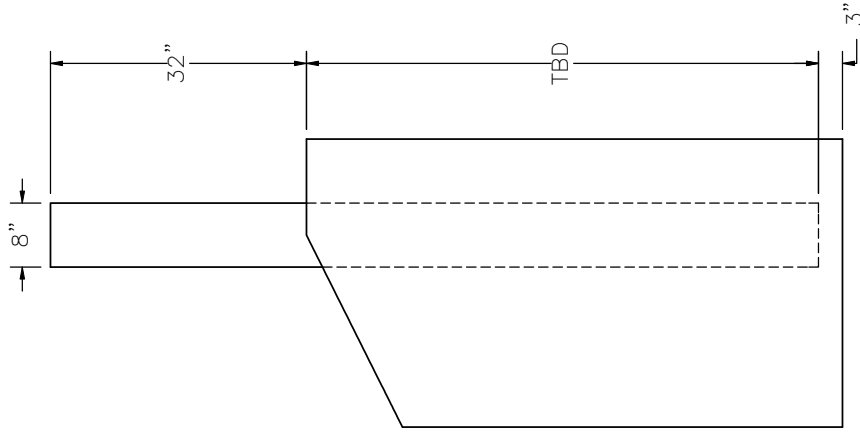
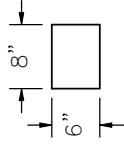
6x8 Southern Yellow Pine
No Knots

Note: (1) When selecting post for testing, ensure that there are no knots in the posts' tensile region (18" above ground line and 30" below).



Midwest Roadside Safety Facility

MGS on 2:1 Slope Post Testing		SHEET: 2 of 3
Southern Yellow Pine 8 ft Post		DATE: 6/25/2009
DWG. NAME: mgs2-1pt23_v3		DRAWN BY: MJW/EAJ/RJT
SCALE: 1:24		REV. BY: KAL/RKF
UNITS: Inches		



6x8 Southern Yellow Pine
No Knots



Midwest Roadside
Safety Facility

MGS on 2:1 Slope Post Testing Southern Yellow Pine Post	SHEET: 3 of 3
	DATE: 6/25/2009
DWG. NAME: mgs2-1pt23_v3	DRAWN BY: MJW/EAJ/RJT
SCALE: 1:24 UNITS: Inches	REV. BY: KAL/RKF