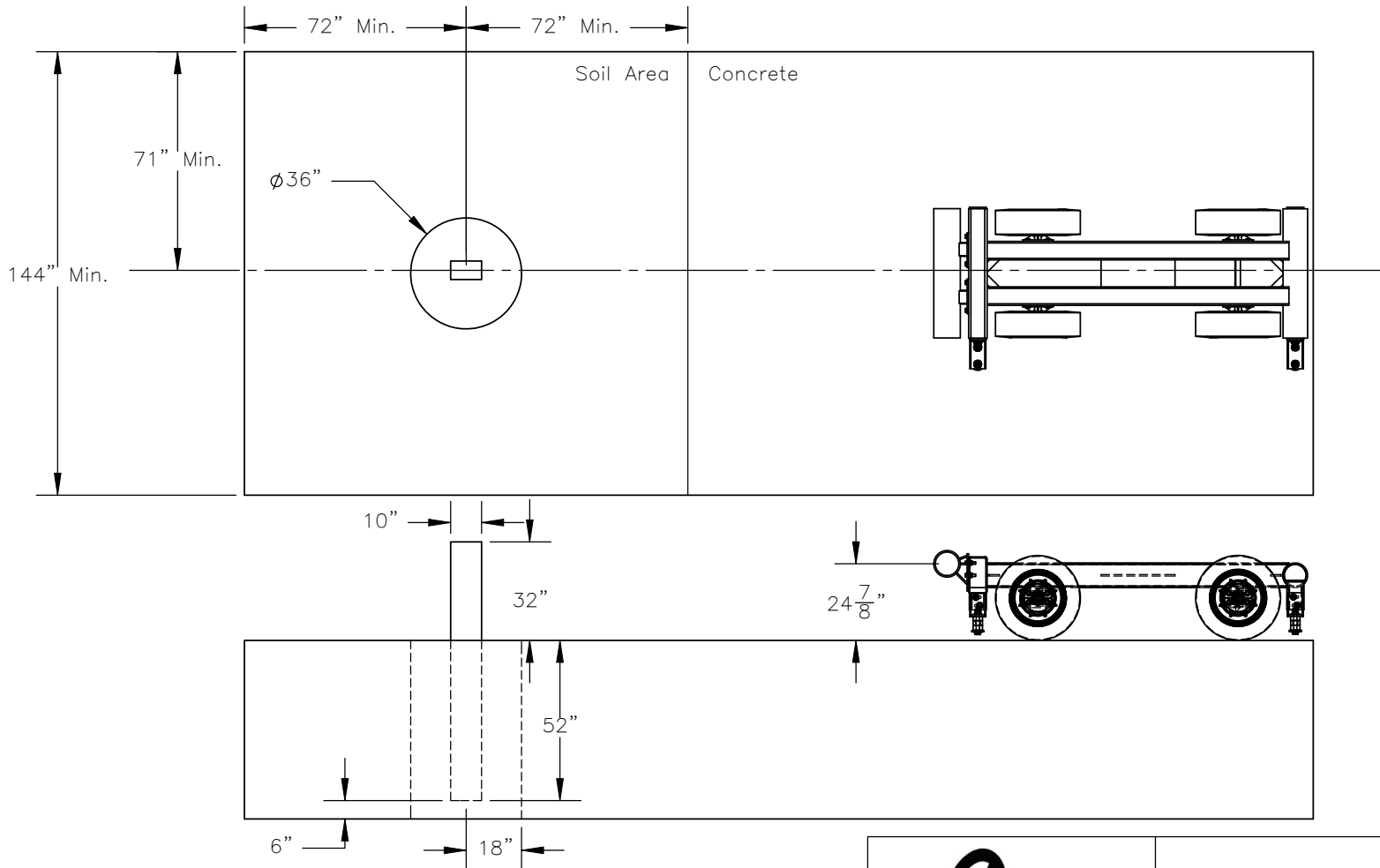


MWT Bogie Test Nos. MGSATB-18 through 19					
Post Type	Test Quantity	Load Height	Bogie No.	Estimated Bogie Weight (lb)	Bogie Speed (mph)
Wood 6x10	1	24 7/8"	3	1860	20
Wood 6x10	1	24 7/8"	3	1860	20



- Notes:
- (1) All posts should be Southern Yellow Pine, Grade 1 or better.
 - (2) For post installation, auger a 3' hole and install post 1.5' back from the front edge of the hole relative to the center of the post. Finish installation by backfilling the hole and tamp using the HE 8 compaction method in the augered hole area.
 - (3) No knots within ±18 in. of ground line.
 - (4) MGSATB-18 through 19 are to be conducted in a long guardrail pit.



Midwest Roadside Safety Facility

MWT Bogie Testing

6x10 Wood Post Testing in Guardrail Pit

DWG. NAME:
mgsatb18-19_R2

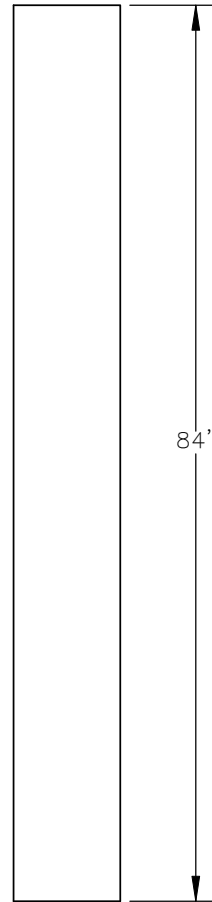
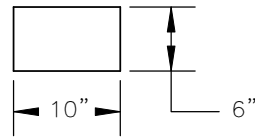
SCALE: 1:55
UNITS: Inches

SHEET:
1 of 2

DATE:
5/3/2010

DRAWN BY:
MJW

REV. BY:
KAL/SKR



6x10 Post



Midwest Roadside
Safety Facility

MWT Bogie Testing
6x10 Post Detail

SHEET:
2 of 2

DATE:
5/3/2010

DRAWN BY:
MJW

DWG. NAME:
mgsatb18-19_R2

SCALE: 1:18
UNITS: Inches

REV. BY:
KAL/SKR