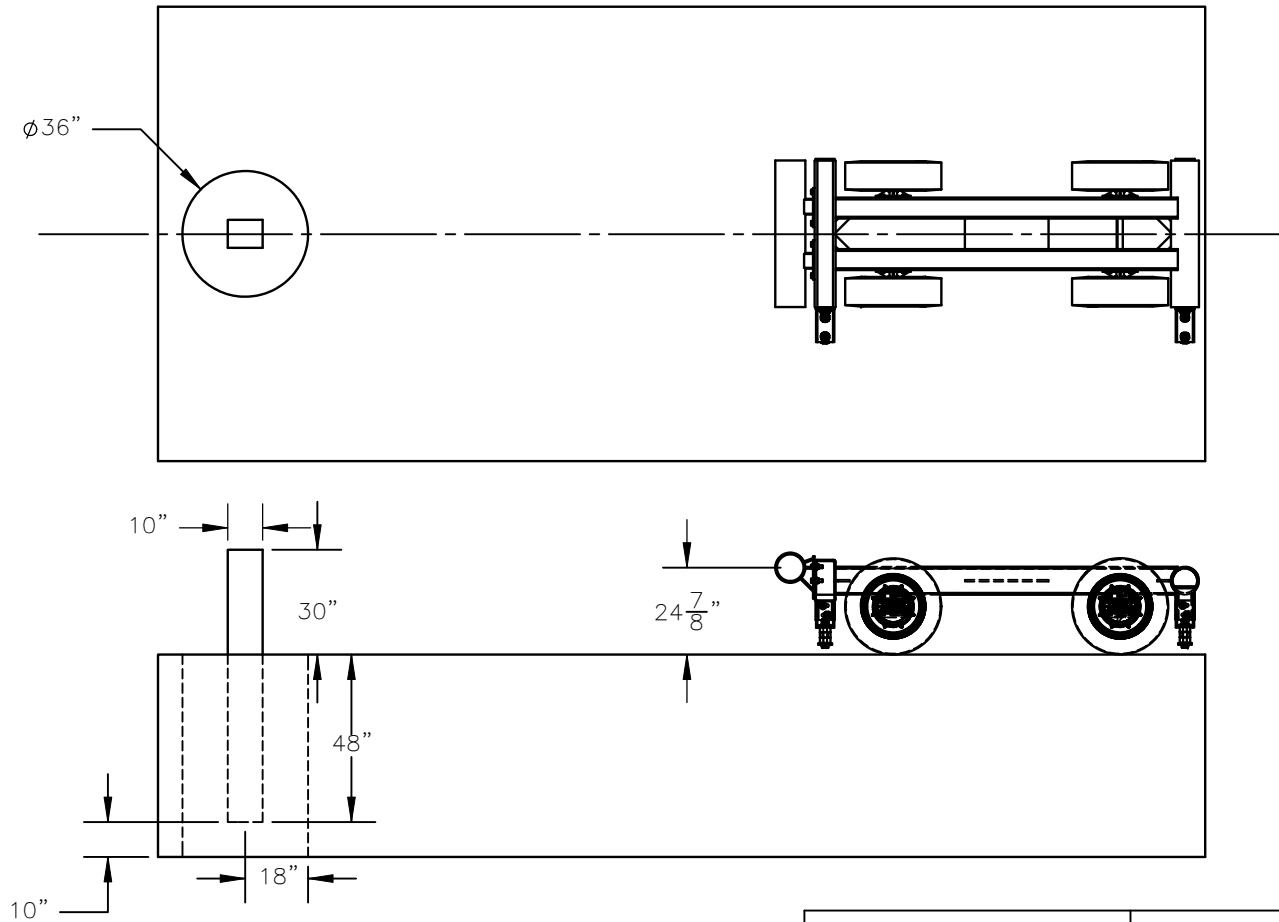


MWTSP Bogie Tests 13-14

Post Type	Test Quantity	Load Height	Bogie No.	Estimated Bogie Weight (lbs)	Bogie Speed (mph)	Installation
Wood 8x10	3	24 7/8"	3	1860	20	3' augered hole, 8" lifts, backfill and tamp

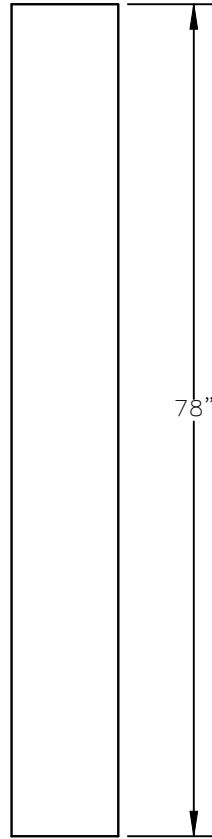
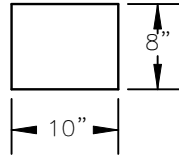


- Notes: (1) All posts should be Southern Yellow Pine, Grade 1 or better.  
 (2) Use the same post for both tests unless the post fractures during the first test.



**Midwest Roadside Safety Facility**

MWTSP Bogie Testing	SHEET: 1 of 2
8x10 post with no knots	DATE: 6/16/2009
	DRAWN BY: RJT/EAJ
DWG. NAME: mgsatb13-14_R1	SCALE: 1:55 UNITS: Inches
	REV. BY: KAL/RKF



8x10 with no knots



Midwest Roadside  
Safety Facility

MWTSP Bogie Testing  
Post Detail

DWG. NAME:  
mgsatb13-14\_R1

SCALE: 1:18  
UNITS: Inches

SHEET:  
2 of 2  
DATE:  
6/16/2009  
DRAWN BY:  
RJT/EAJ  
REV. BY:  
KAL/RKF