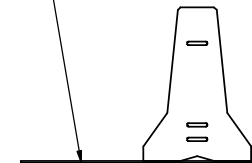
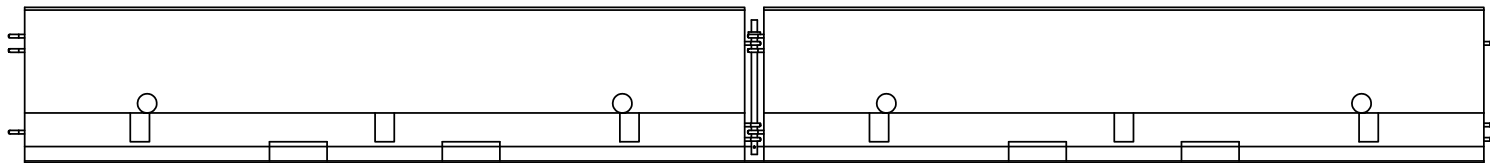


Steel Base Plate



Midwest Roadside
Safety Facility

WI Low-Deflection PCB

Ballast Base Plate A

DWG. NAME.
WI_Low_Deflection_PCB_Concepts_R1

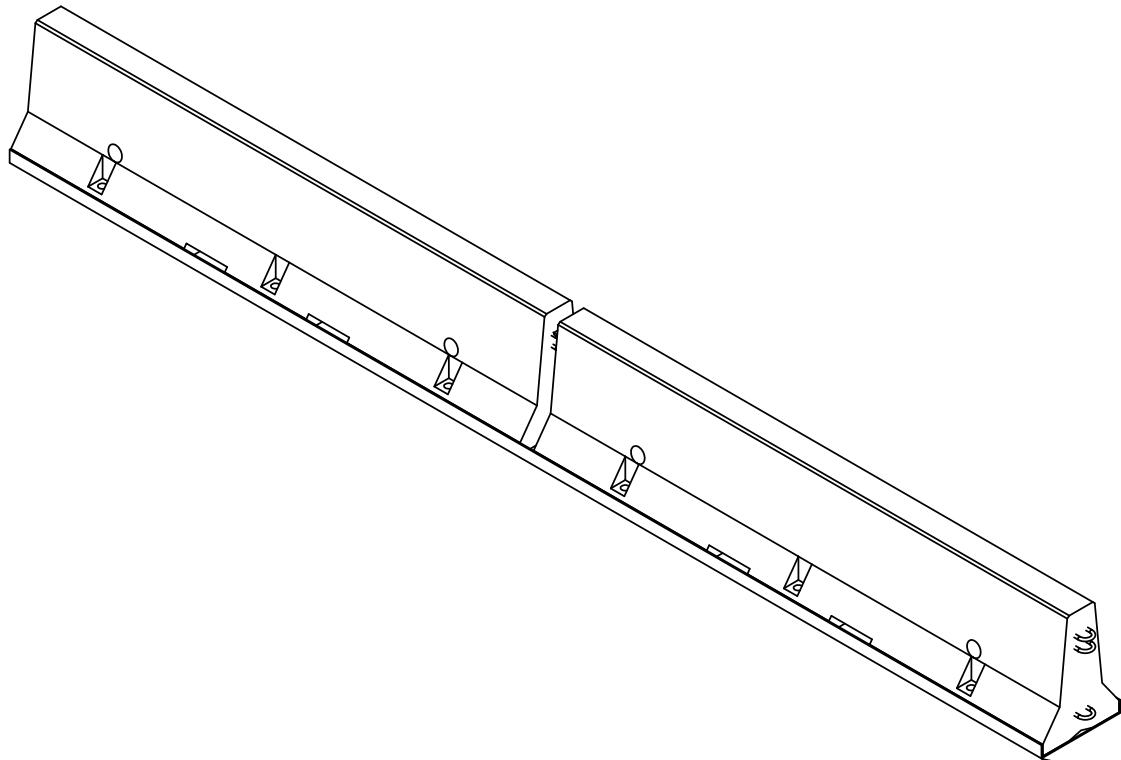
SCALE: 1:40
UNITS: Inches

SHEET:
1 of 13

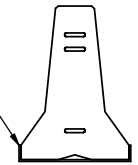
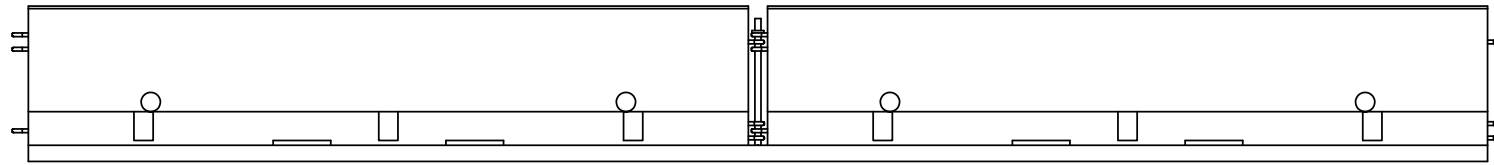
DATE:
3-27-14

DRAWN BY:
RWB/ESG

REV. BY:
RWB



Steel Base Plate



Midwest Roadside
Safety Facility

WI Low-Deflection PCB

Ballast Base Plate B

DWG. NAME:
WI_Low_Deflection_PCB_Concepts_R1

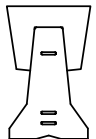
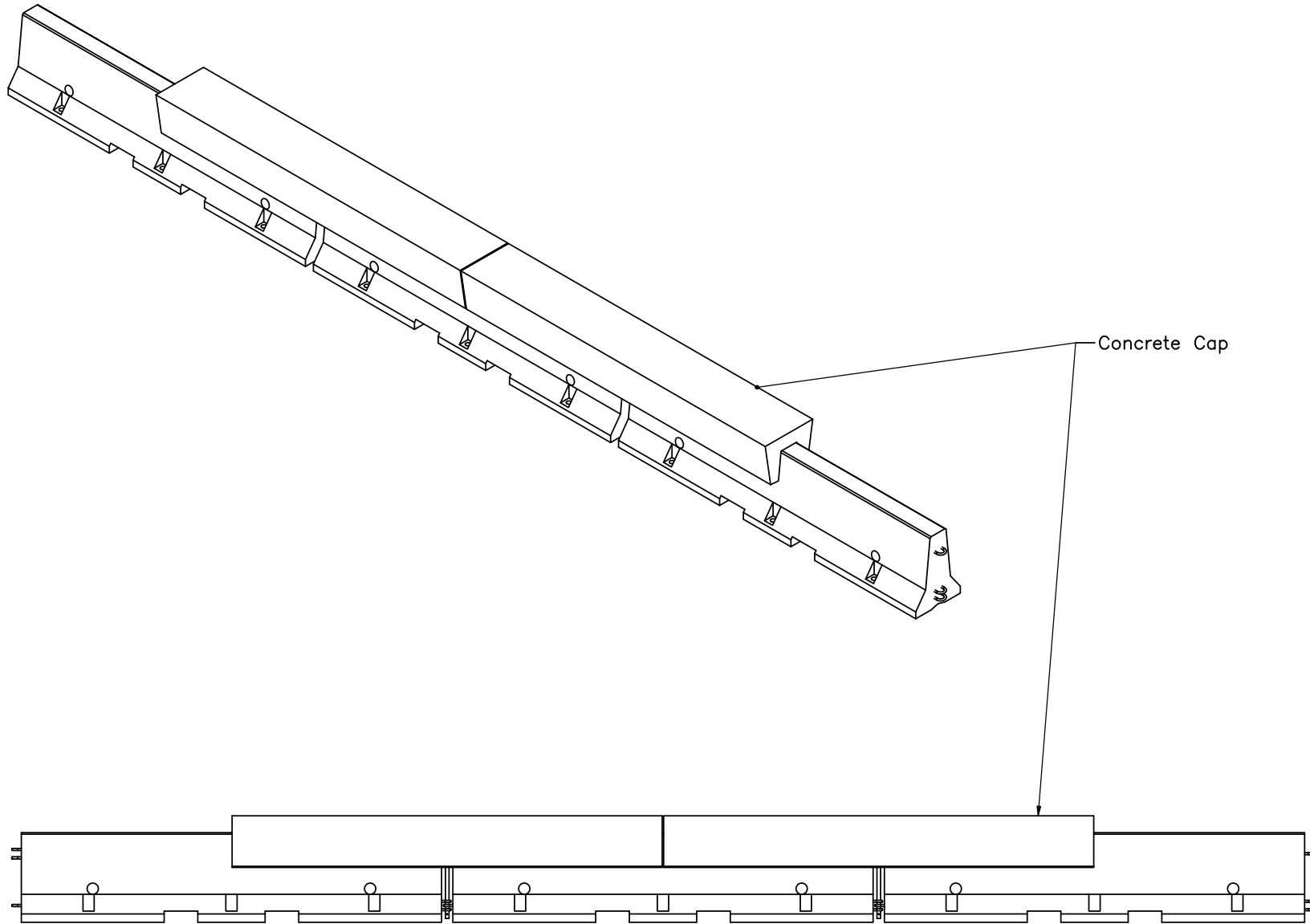
SCALE: 1:40
UNITS: Inches

SHEET:
2 of 13

DATE:
3-27-14

DRAWN BY:
RWB/ESG

REV. BY:
RWB



Midwest Roadside
Safety Facility

WI Low-Deflection PCB

Ballast Concrete Cap

DWG. NAME:
WI_Low_Deflection_PCB_Concepts_R1

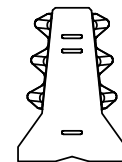
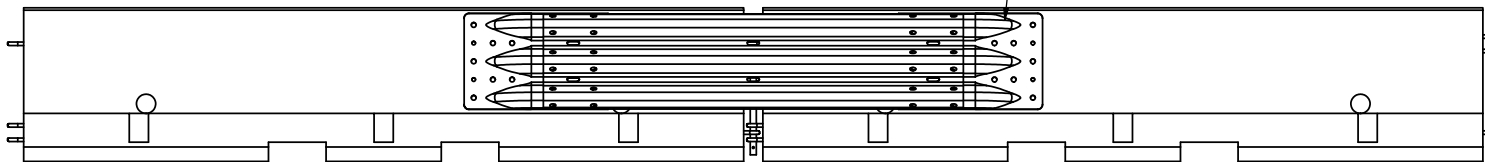
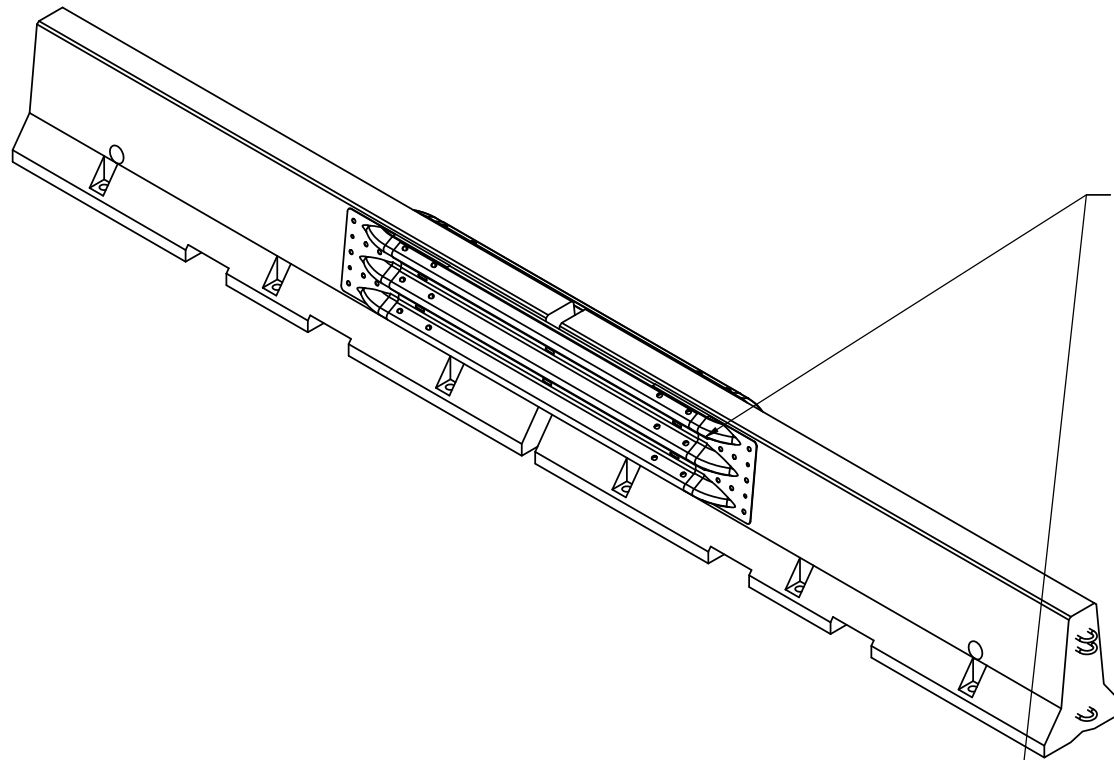
SCALE: 1:55
UNITS: Inches

SHEET:
3 of 13

DATE:
3-27-14

DRAWN BY:
RWB/ESG

REV. BY:
RWB



Midwest Roadside
Safety Facility

WI Low-Deflection PCB

Composite Action - Beam

DWG. NAME:
WI_Low_Deflection_PCB_Concepts_R1

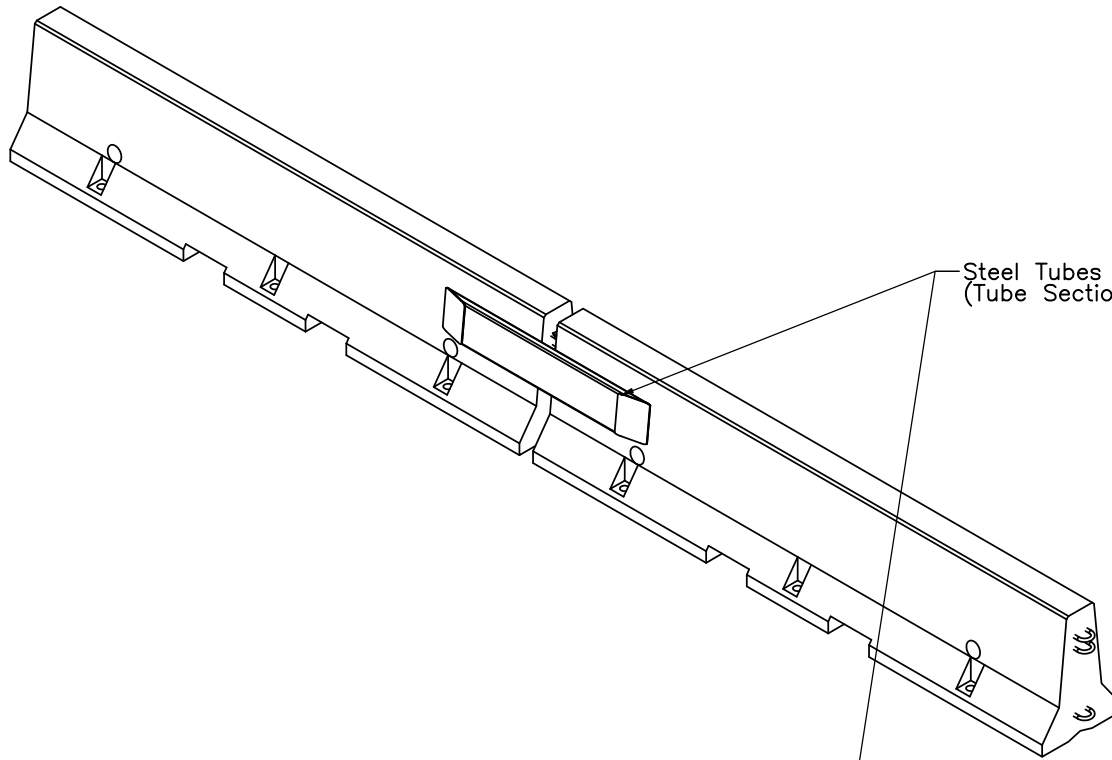
SCALE: 1:40
UNITS: Inches

SHEET:
4 of 13

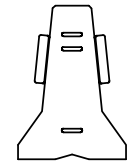
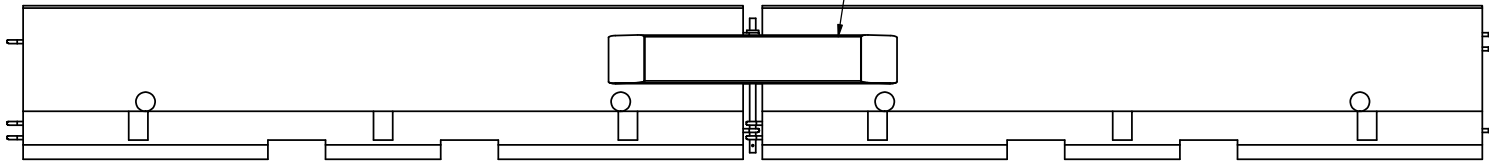
DATE:
3-27-14

DRAWN BY:
RWB/ESG

REV. BY:
RWB



Steel Tubes
(Tube Section May Vary from What is Shown)



Midwest Roadside
Safety Facility

WI Low-Deflection PCB

Composite Action - Tubes

DWG. NAME:
WI_Low_Deflection_PCB_Concepts_R1

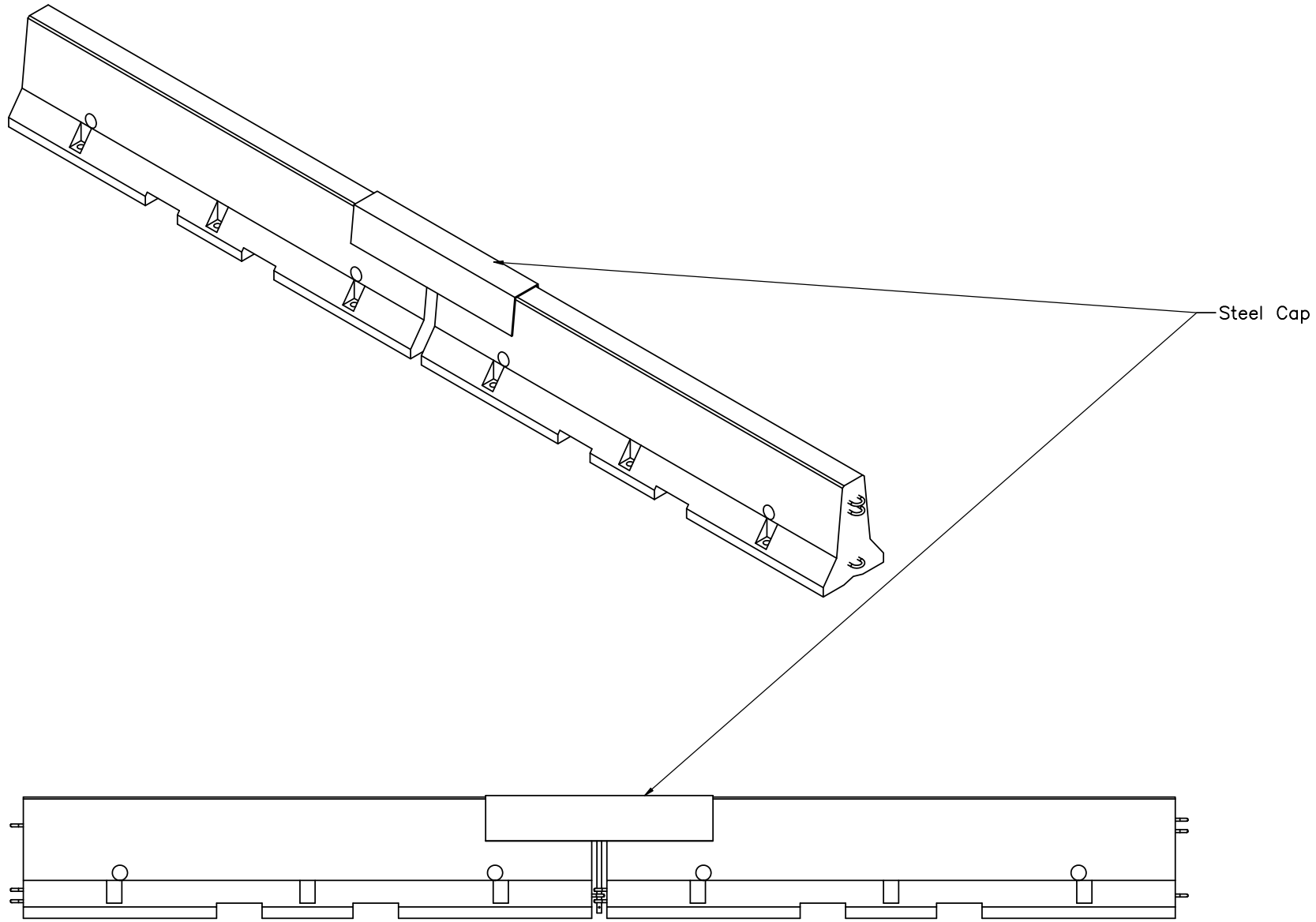
SCALE: 1:40
UNITS: Inches

SHEET:
5 of 13

DATE:
3-27-14

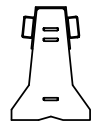
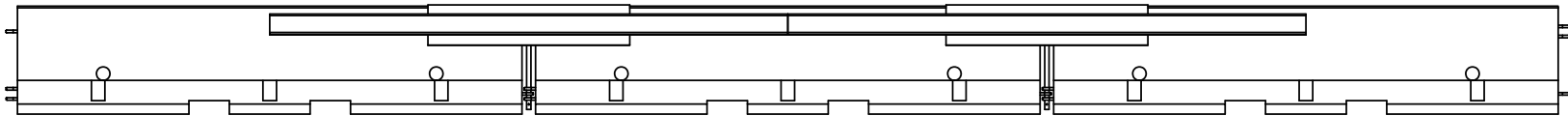
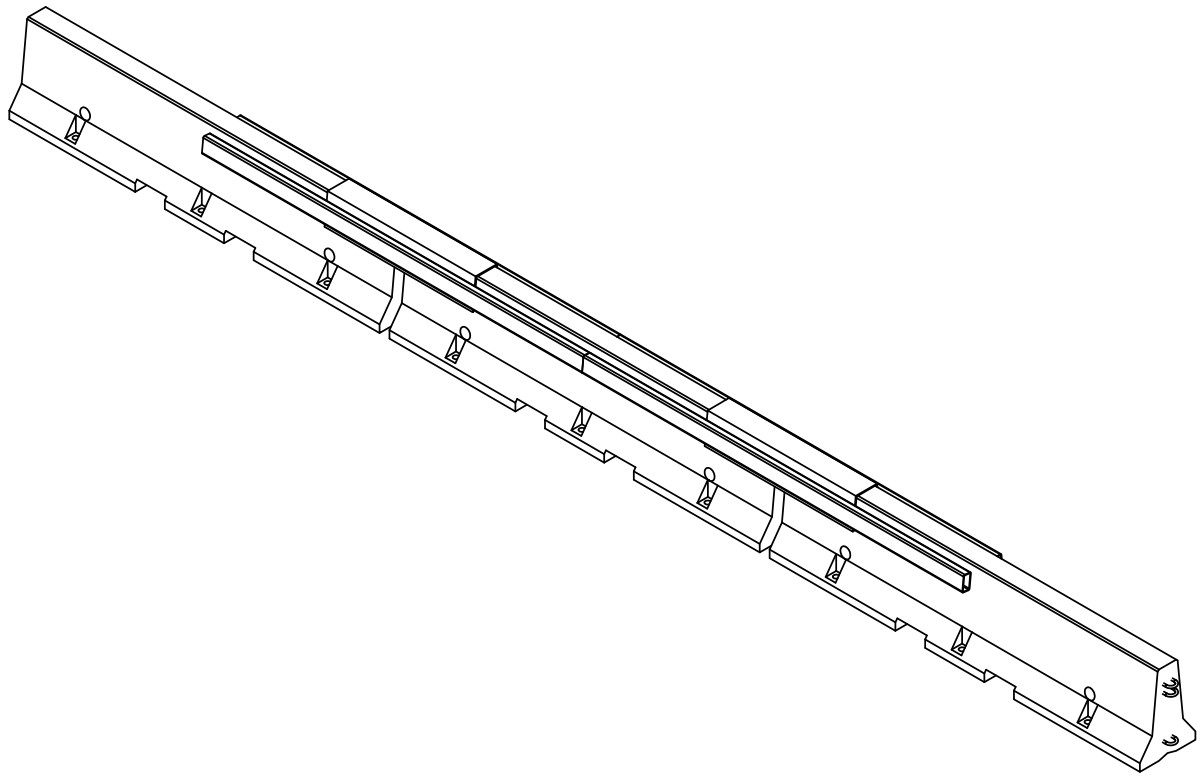
DRAWN BY:
RWB/ESG

REV. BY:
RWB



Midwest Roadside
Safety Facility

WI Low-Deflection PCB		SHEET: 6 of 13
		DATE: 3-27-14
Composite Action Cap		DRAWN BY: RWB/ESG
		REV. BY: RWB
DWG. NAME: WI_Low_Deflection_PCB_Concepts_R1	SCALE: 1:40 UNITS: Inches	



Midwest Roadside
Safety Facility

WI Low-Deflection PCB

Composite Action Cap With
Continuous Tubes

DWG. NAME.

WI_Low_Deflection_PCB_Concepts_R1

SCALE: 1:55

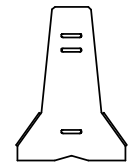
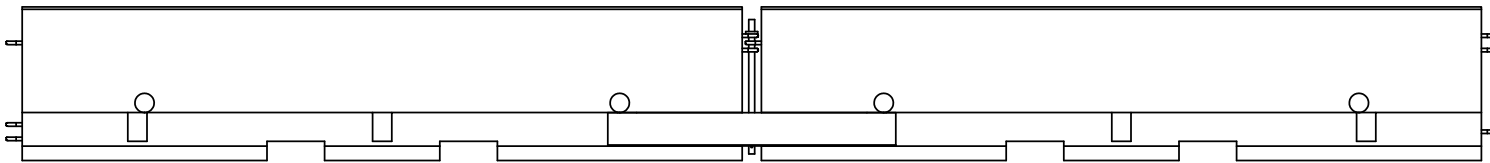
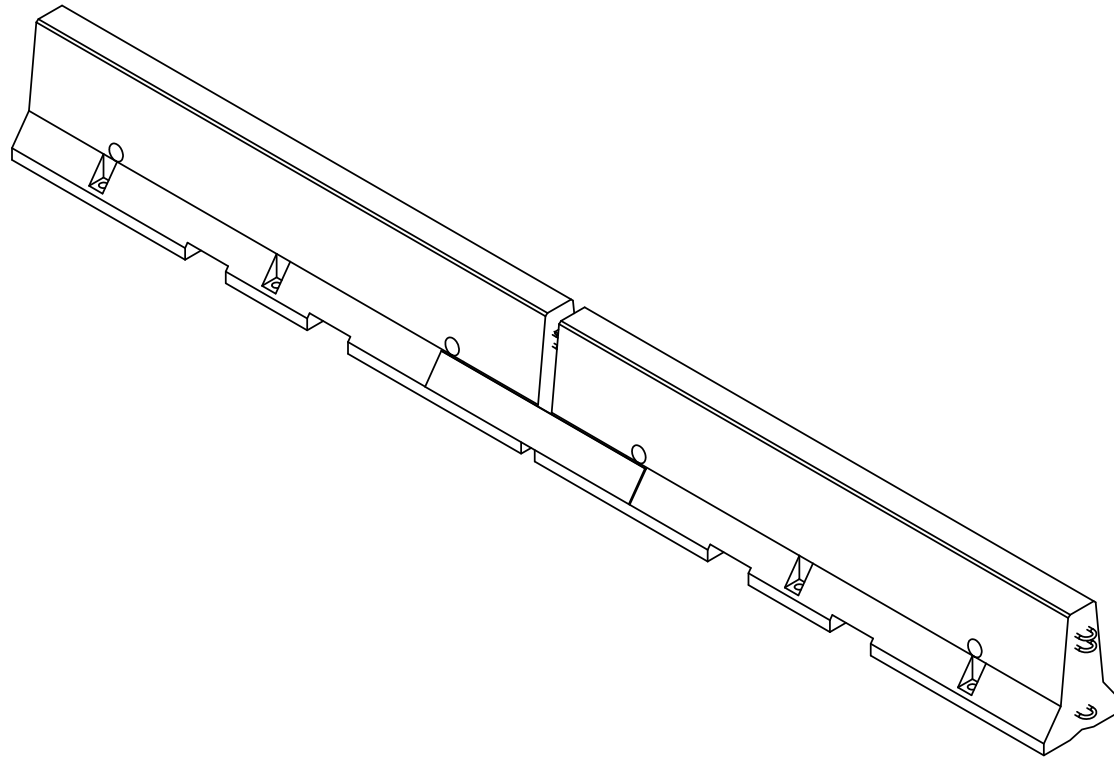
UNITS: Inches

SHEET:
7 of 13

DATE:
3-27-14

DRAWN BY:
RWB/ESG

REV. BY:
RWB



Midwest Roadside
Safety Facility

WI Low-Deflection PCB

Composite Action Tie-Down
Hole Plate

DWG. NAME.

WI_Low_Deflection_PCB_Concepts_R1

SCALE: 1:40

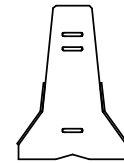
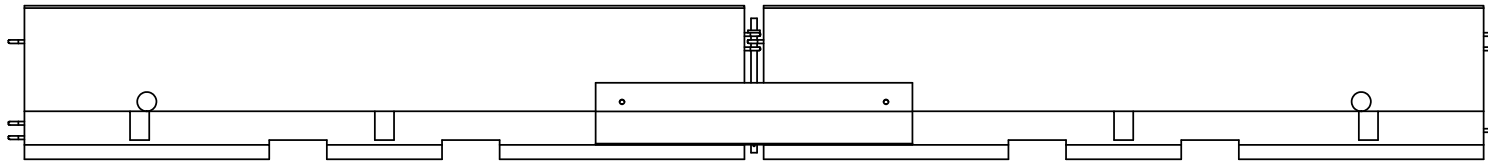
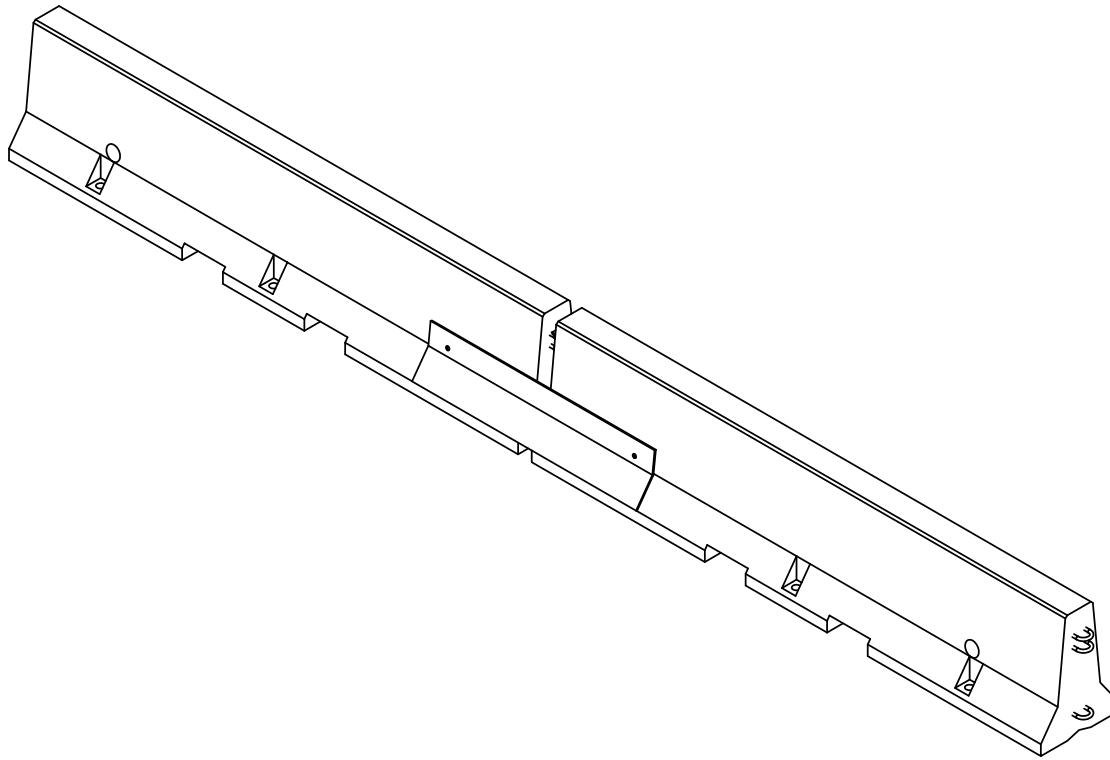
UNITS: Inches

SHEET:
8 of 13

DATE:
3-27-14

DRAWN BY:
RWB/ESG

REV. BY:
RWB



Midwest Roadside
Safety Facility

WI Low-Deflection PCB

Composite Action Tie-Down
Hole Plate - V2

DWG. NAME.

WI_Low_Deflection_PCB_Concepts_R1

SCALE: 1:40

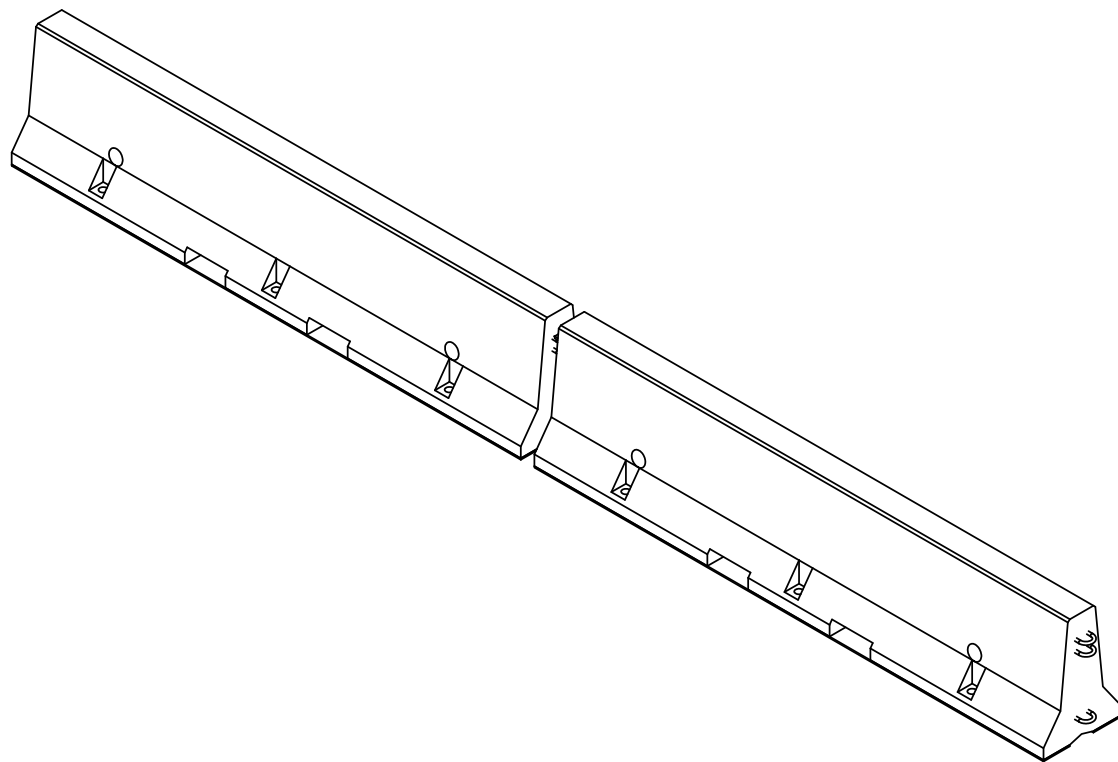
UNITS: Inches

SHEET:
9 of 13

DATE:
3-27-14

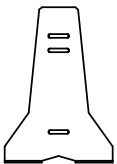
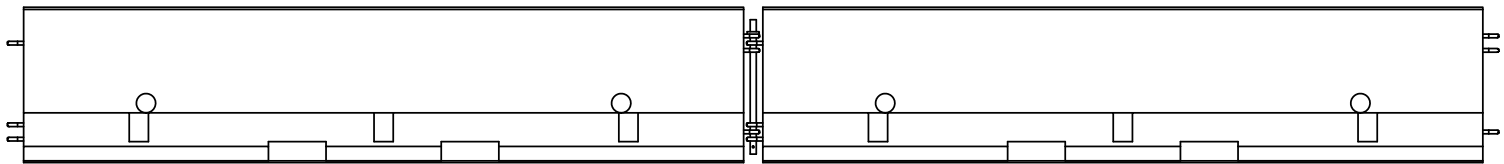
DRAWN BY:
RWB/ESG

REV. BY:
RWB



System would be adhered to the deck by some removable adhesive to generate shear resistance to barrier motion.

1. Tar
2. Velcro
3. Grout
4. Caulk
5. Glues



Midwest Roadside Safety Facility

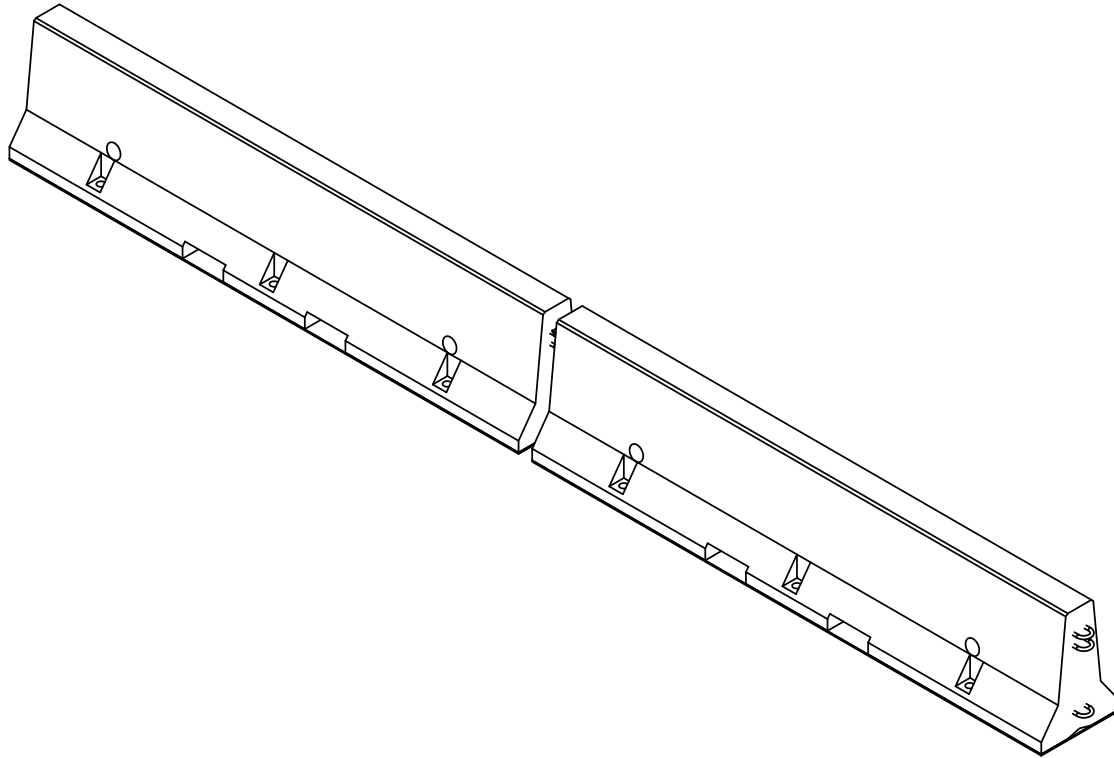
WI Low-Deflection PCB

Friction - Adhesive

DWG. NAME:
WI_Low_Deflection_PCB_Concepts_R1

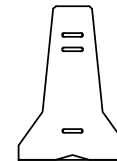
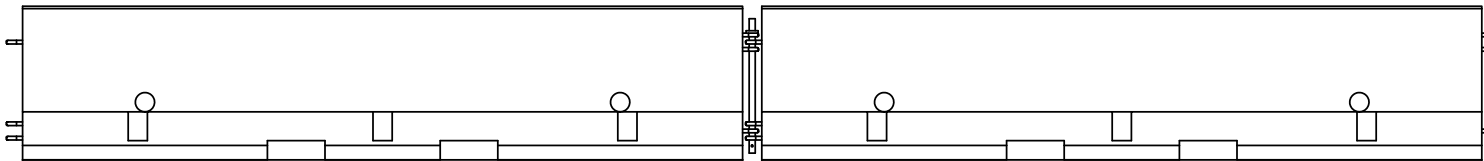
SCALE: 1:40
UNITS: Inches

SHEET:
10 of 13
DATE:
3-27-14
DRAWN BY:
RWB/ESG
REV. BY:
RWB



Barrier would have the base coated with a high friction material to generate shear resistance to barrier motion.

1. High friction safety tape
2. Truck bed liner spray coating
3. Neoprene pad



Midwest Roadside
Safety Facility

WI Low-Deflection PCB

Friction - Base Covering

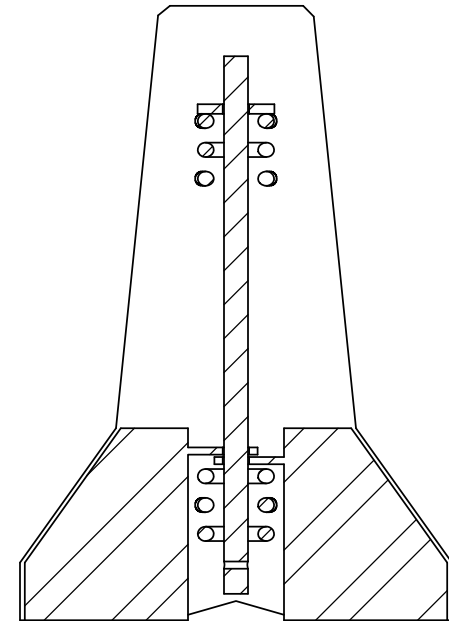
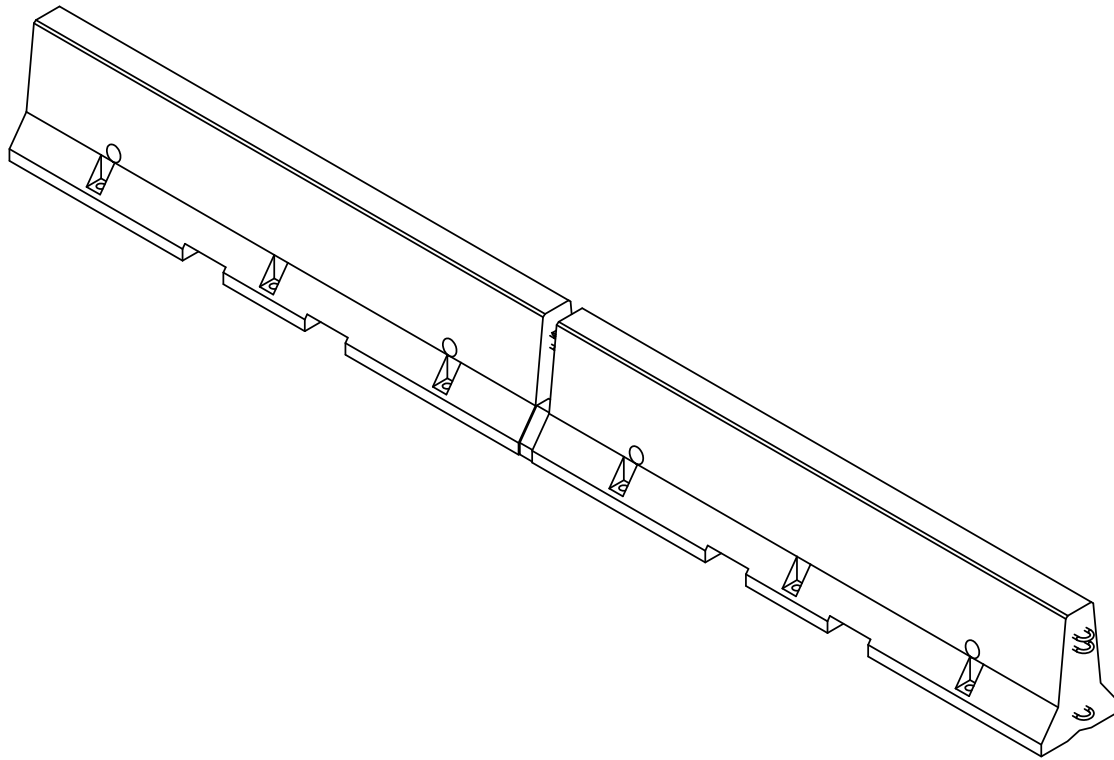
DWG. NAME: WI_Low_Deflection_PCB_Concepts_R1
SCALE: 1:40
UNITS: Inches

SHEET:
11 of 13

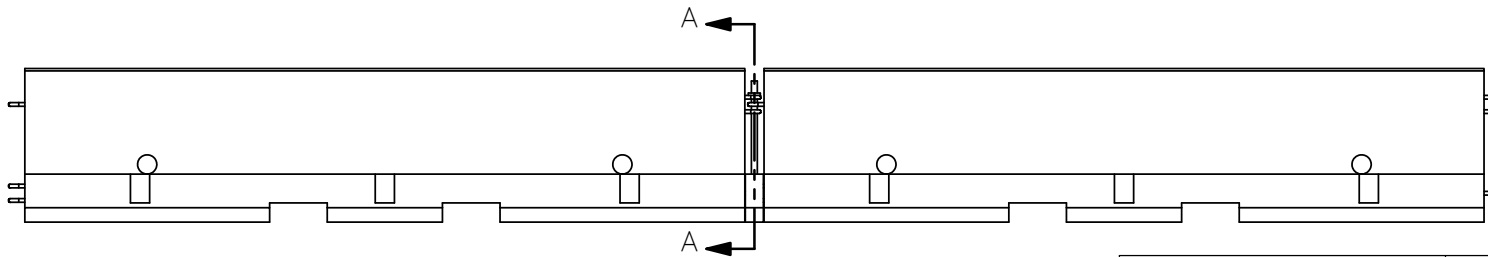
DATE:
3-27-14

DRAWN BY:
RWB/ESG

REV. BY:
RWB



SECTION A-A
SCALE 1 : 10



Midwest Roadside
Safety Facility

WI Low-Deflection PCB

Joint Tolerance - Gap Shim

DWG. NAME:
WI_Low_Deflection_PCB_Concepts_R1

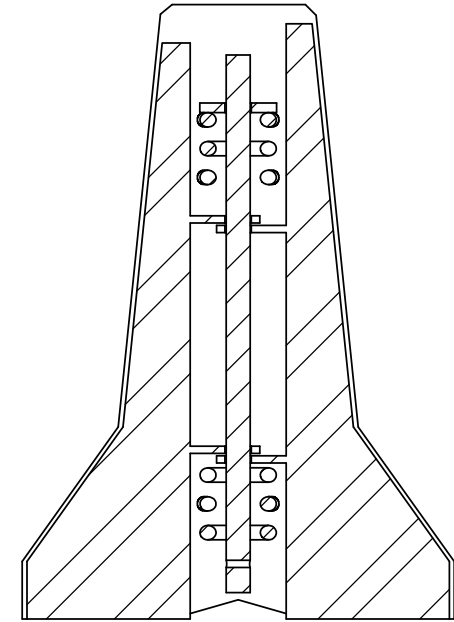
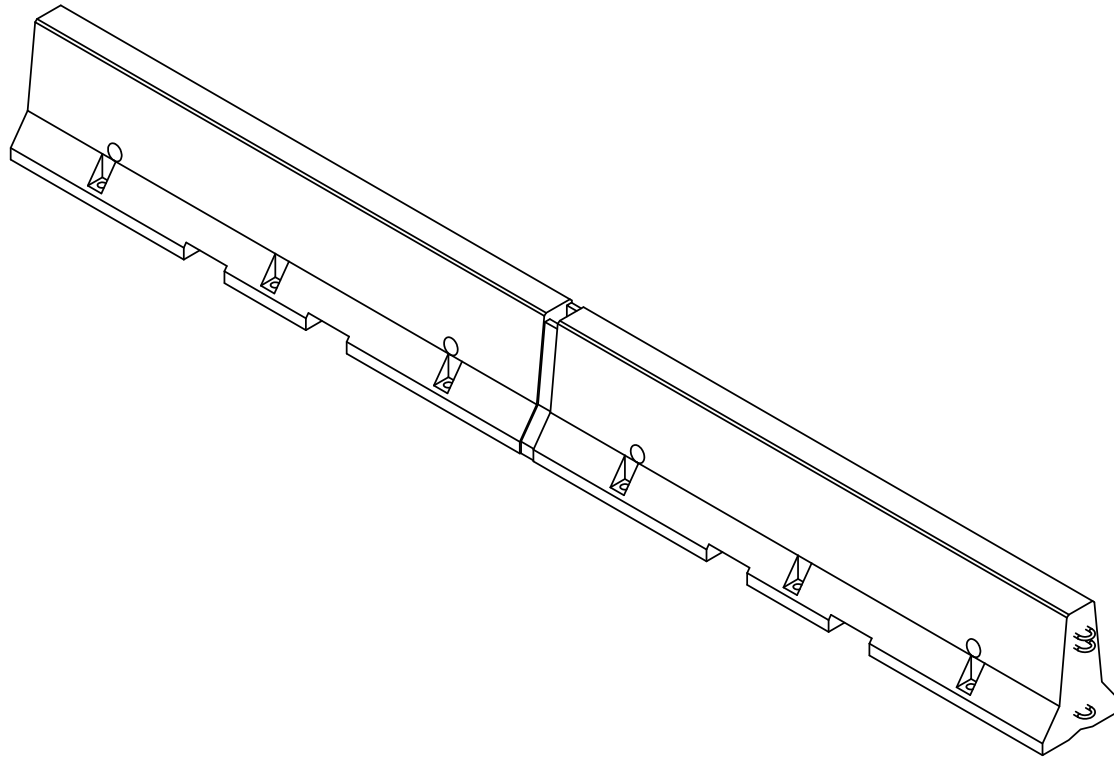
SCALE: 1:40
UNITS: Inches

SHEET:
12 of 13

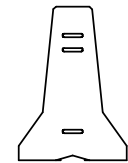
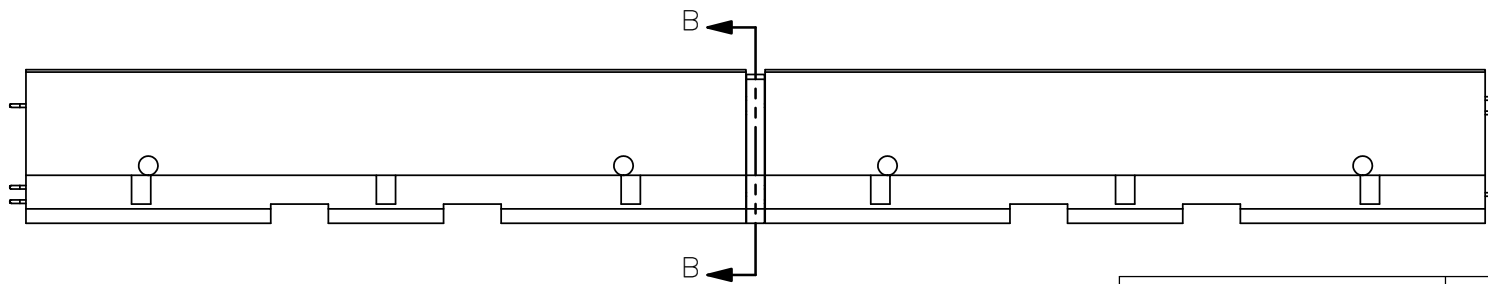
DATE:
3-27-14

DRAWN BY:
RWB/ESG

REV. BY:
RWB



SECTION B-B
SCALE 1 : 10



Midwest Roadside
Safety Facility

WI Low-Deflection PCB

Joint Tolerance - Gap Shim-
Tall

DWG. NAME.

WI_Low_Deflection_PCB_Concepts_R1

SCALE: 1:40

UNITS: Inches

SHEET:
13 of 13

DATE:
3-27-14

DRAWN BY:
RWB/ESG

REV. BY:
RWB