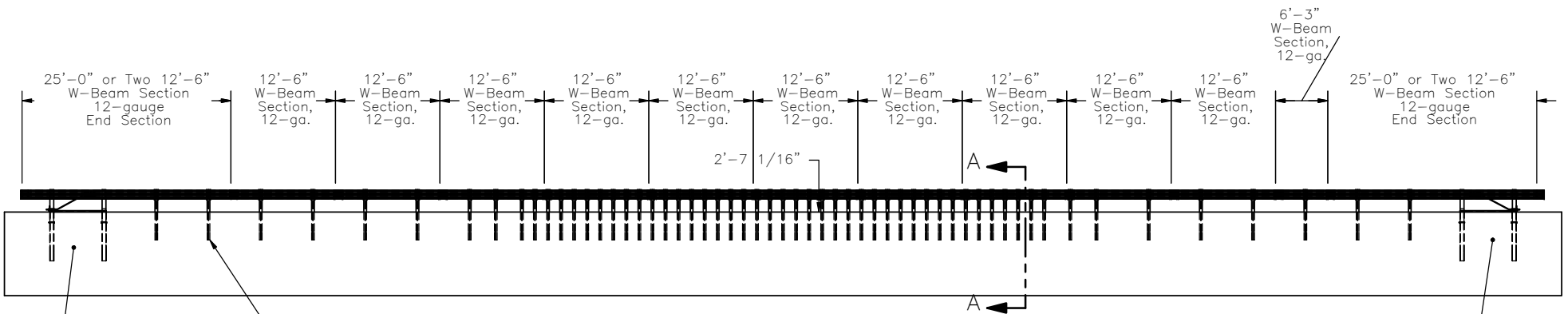


PLAN VIEW



PROFILE VIEW

BCT posts in 6' long (galvanized) foundation tubes, ground line strut, and BCT cable anchor

W6x9 72" long Posts with 6x12x14 1/4" Blockouts

BCT posts in 6' long (galvanized) foundation tubes, ground line strut, and BCT cable anchor



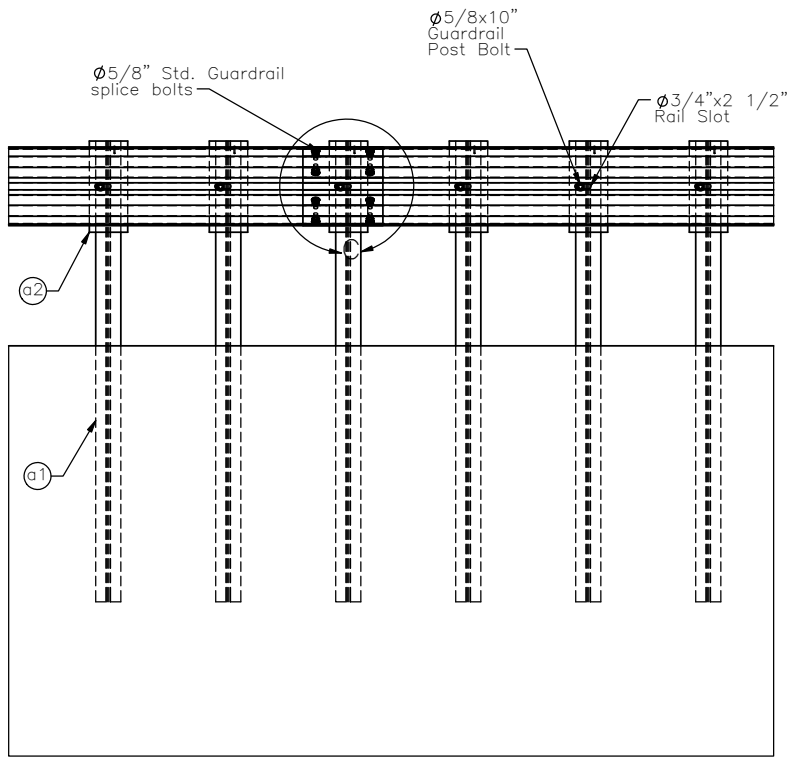
Midwest Roadside Safety Facility

MGS-1/4 Post Spacing System Layout

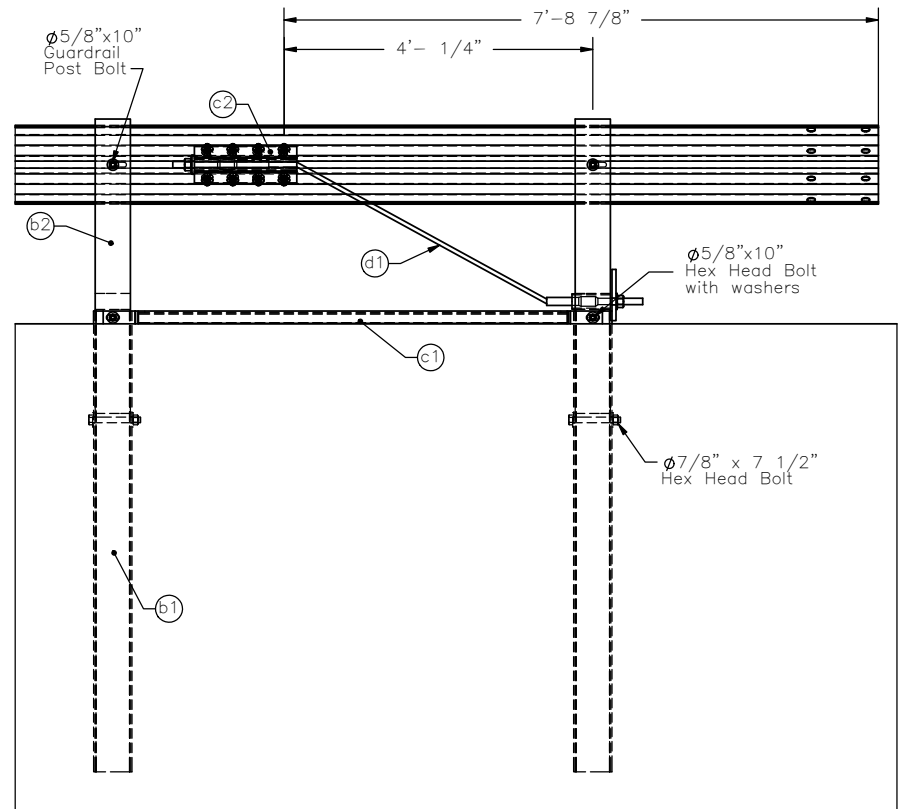
DWG. NAME:  
MGS\_Standard\_0.25spacing

SCALE: None  
UNITS: Inches

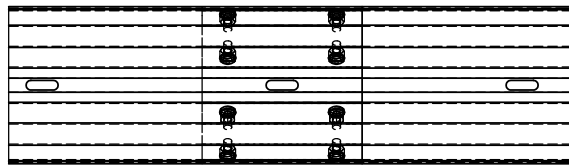
SHEET:  
1 of 7  
DATE:  
01/09/2005  
DRAWN BY:  
GEP  
REV. BY:  
KAP



SPLICE DETAIL



END RAIL DETAIL



DETAIL C  
SCALE 1 : 15



Midwest Roadside  
Safety Facility

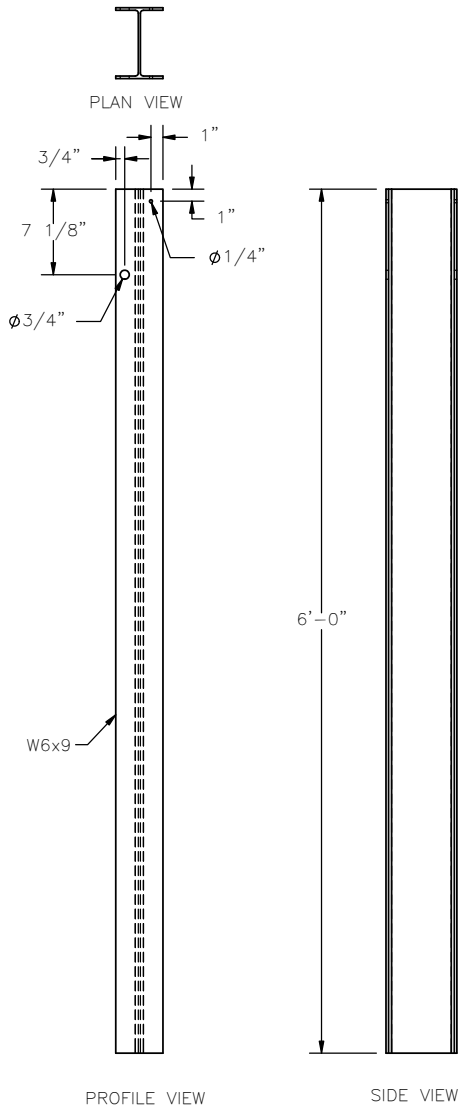
MGS-1/4 Post Spacing

End Rail Detail  
Splice Detail

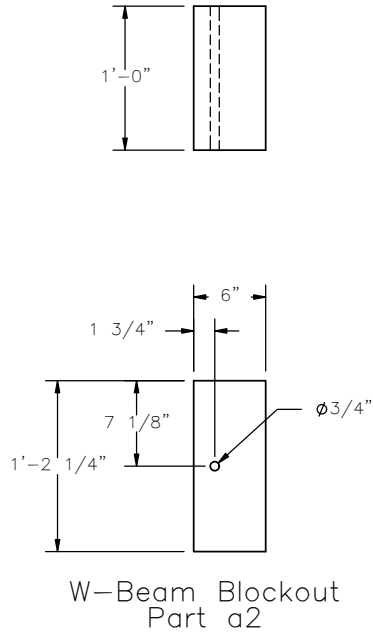
DWG. NAME.  
MGS\_Standard\_0.25spacing

SCALE: None  
UNITS: Inches

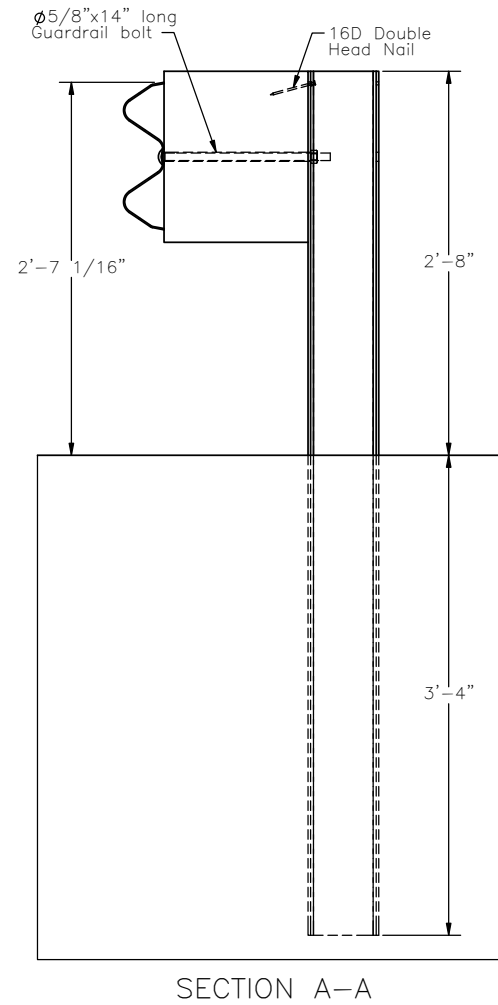
SHEET:  
2 of 7  
DATE:  
01/09/2005  
DRAWN BY:  
GEP  
REV. BY:  
KAP



W-Beam Post  
Part a1



W-Beam Blockout  
Part a2



SECTION A-A



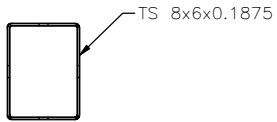
Midwest Roadside  
Safety Facility

MGS-1/4 Post Spacing  
Posts 3-59 Detail

DWG. NAME.  
MGS\_Standard\_0.25spacing

SCALE: None  
UNITS: Inches

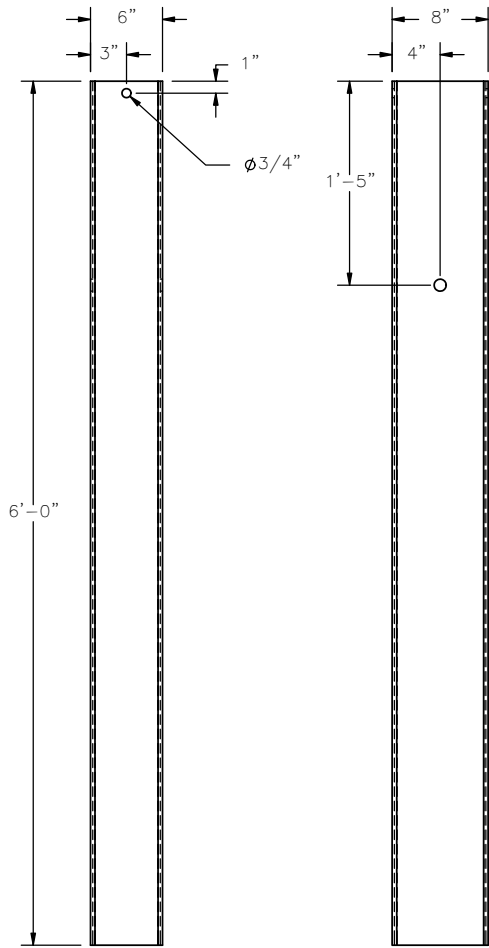
SHEET:  
3 of 7  
DATE:  
01/09/2005  
DRAWN BY:  
GEP  
REV. BY:  
KAP



PLAN VIEW



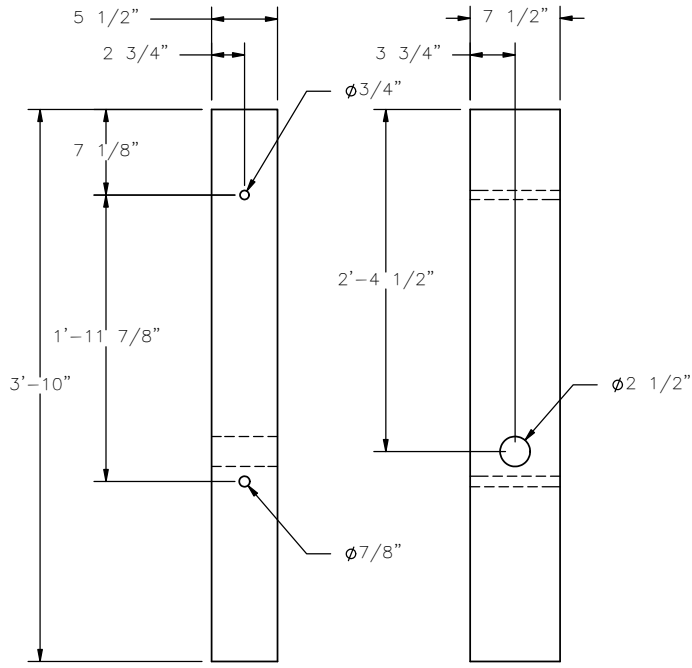
PLAN VIEW



PROFILE VIEW

SIDE VIEW

Foundation Tube  
Part b1



PROFILE VIEW

SIDE VIEW

BCT (MGS) Timber Post  
Part b2



Midwest Roadside  
Safety Facility

MGS-1/4 Post Spacing

BCT Timber Posts &  
Foundation Tube Detail

SHEET:  
4 of 7

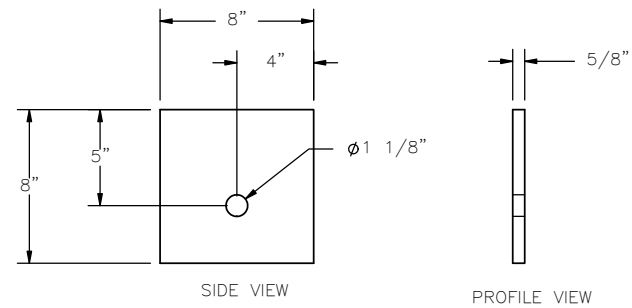
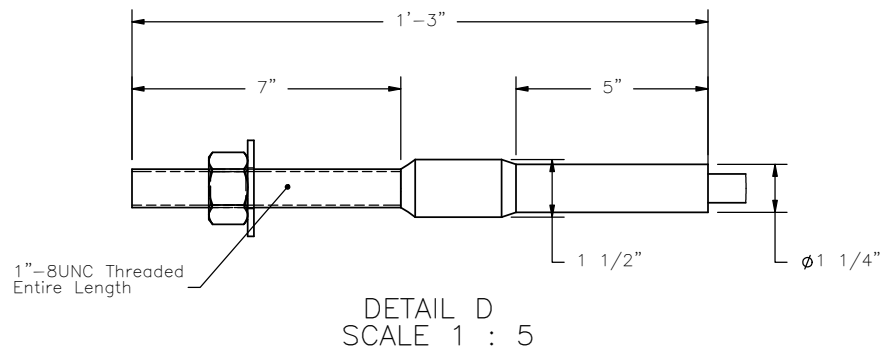
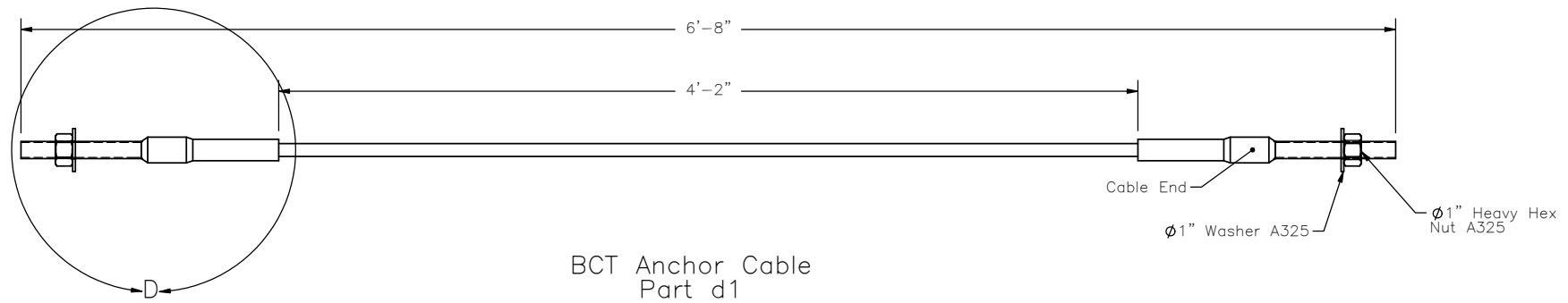
DATE:  
01/09/2005

DRAWN BY:  
GEP

DWG. NAME:  
MGS\_Standard\_0.25spacing

SCALE: None  
UNITS: Inches

REV. BY:  
KAP

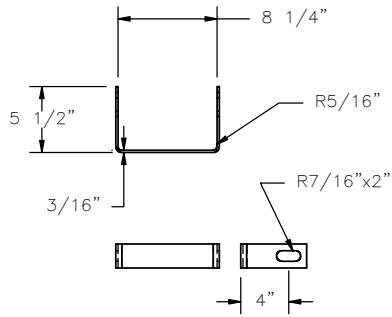


MGS-1/4 Post Spacing  
BCT Anchor Cable Detail

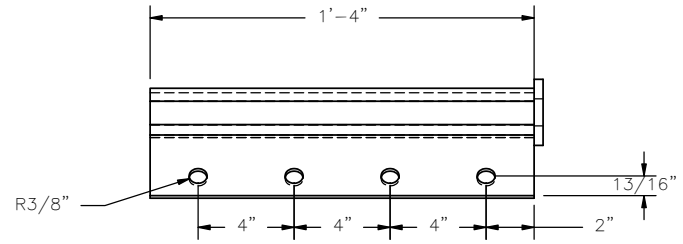
SHEET:  
5 of 7  
DATE:  
01/09/2005  
DRAWN BY:  
GEP  
REV. BY:  
KAP

DWG. NAME:  
MGS\_Standard\_0.25spacing

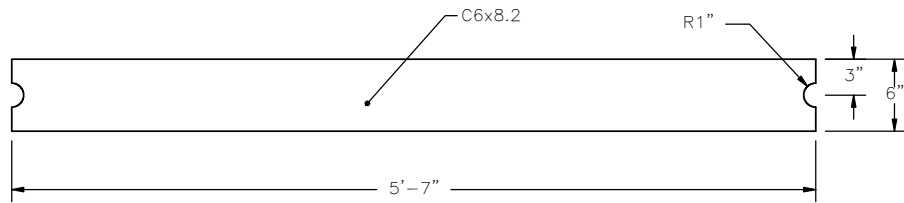
SCALE: None  
UNITS: Inches



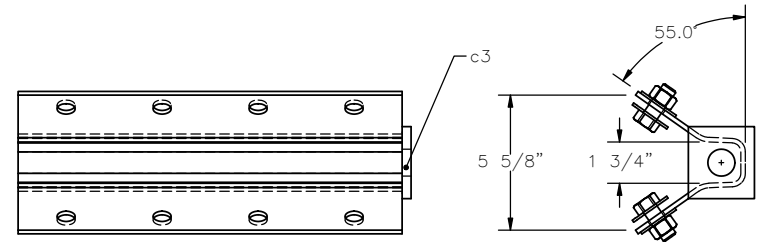
Yoke Detail



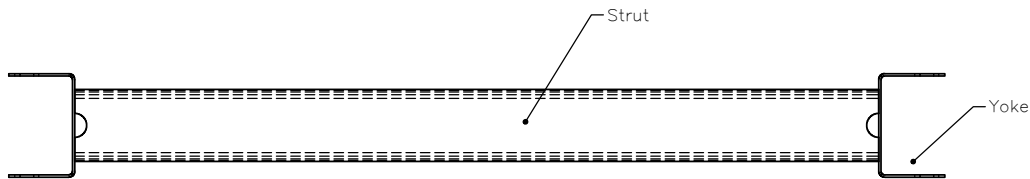
Anchor Bracket  
Part c2



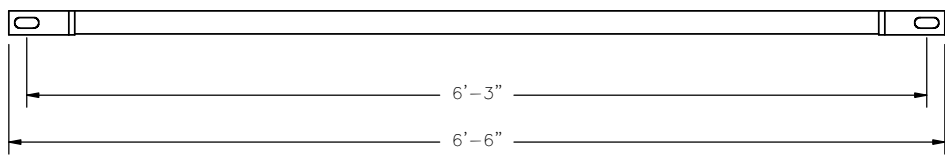
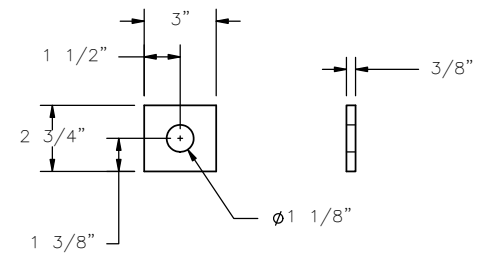
Strut Detail



Anchor Bracket  
Bearing Plate  
Part c3



PLAN VIEW



PROFILE VIEW

Ground Strut  
Part c1



Midwest Roadside  
Safety Facility

MGS-1/4 Post Spacing

Ground Strut & Anchor  
Bracket Details

SHEET:  
6 of 7

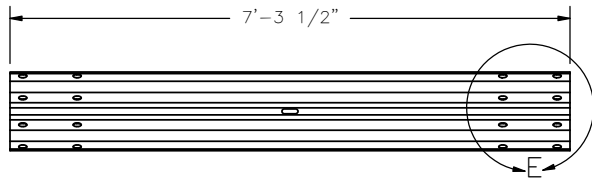
DATE:  
01/09/2005

DRAWN BY:  
GEP

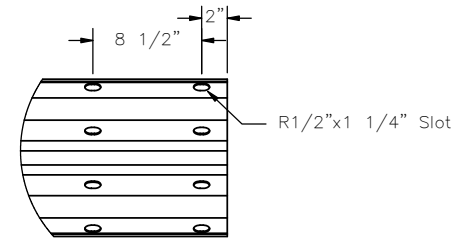
REV. BY:  
KAP

DWG. NAME:  
MGS\_Standard\_0.25spacing

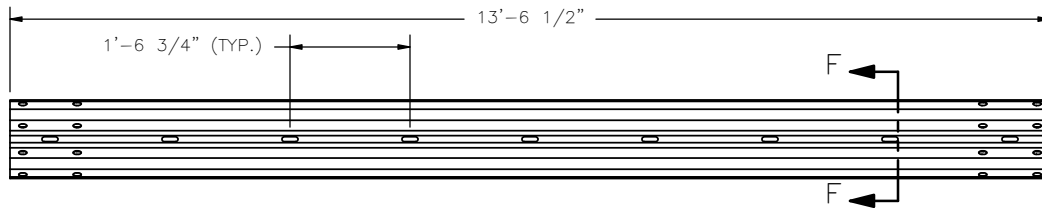
SCALE: None  
UNITS: Inches



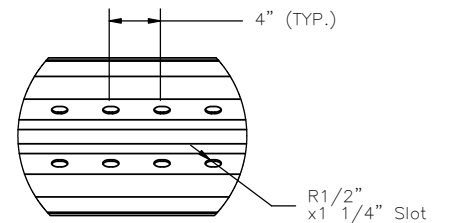
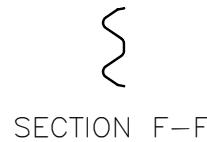
6'-3" W-Beam Section, 12 gauge



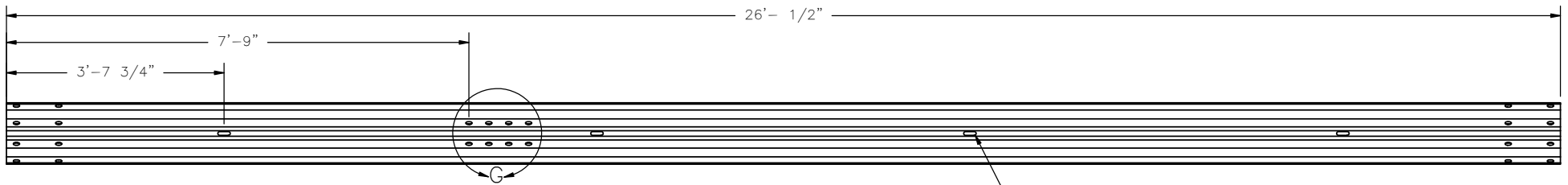
DETAIL E  
SCALE 1 : 15



12'-6" W-Beam Section, 12 gauge



DETAIL G  
SCALE 1 : 15



25' W-Beam Section, 12 gauge, End Section



Midwest Roadside  
Safety Facility

MGS-1/4 Post Spacing  
Rail Section Details

DWG. NAME.  
MGS\_Standard\_0.25spacing

SCALE: None  
UNITS: Inches

SHEET:  
7 of 7  
DATE:  
01/09/2005  
DRAWN BY:  
GEP  
REV. BY:  
KAP