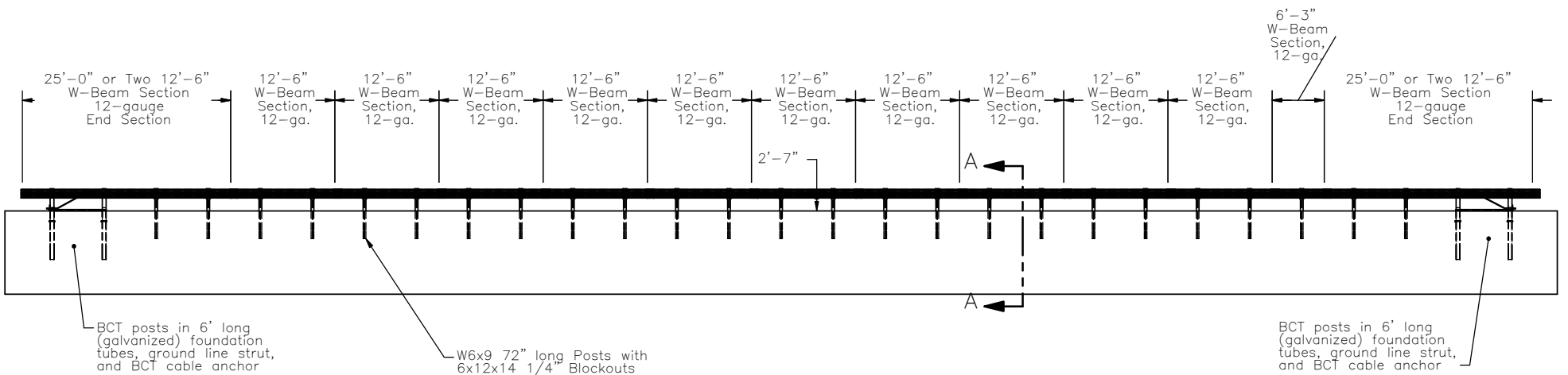


PLAN VIEW



PROFILE VIEW



Midwest Roadside Safety Facility

MGS Standard  
System Layout

DWG. NAME.  
MGS\_Standard

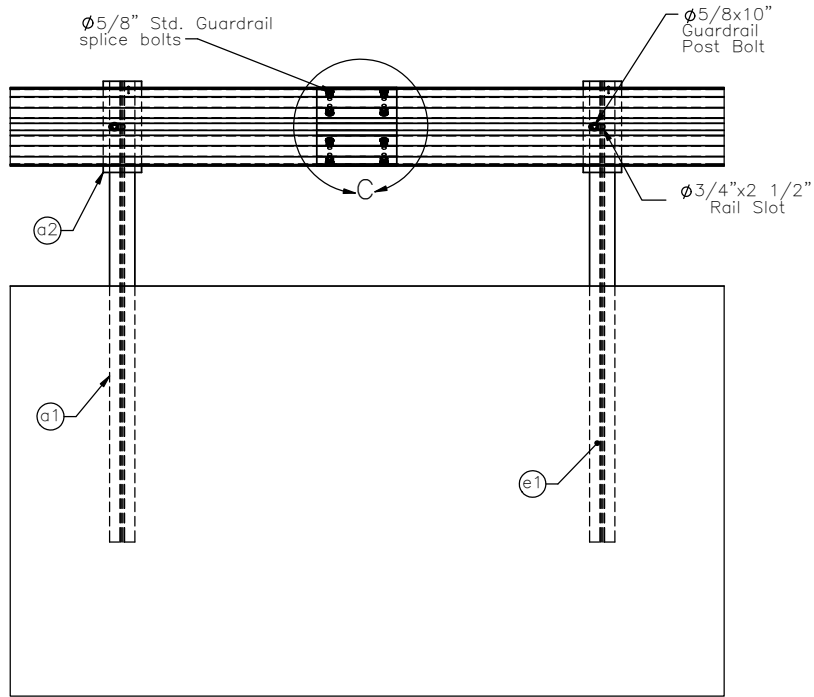
SCALE: None  
UNITS: Inches

SHEET:  
1 of 7

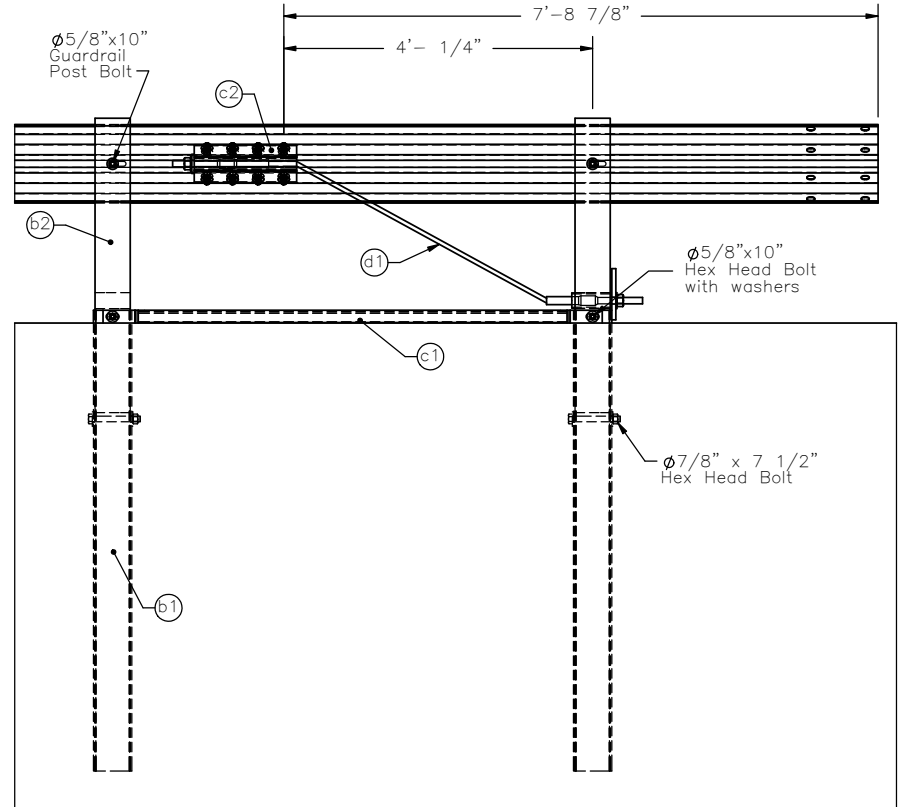
DATE:  
9/8/2016

DRAWN BY:  
GEP

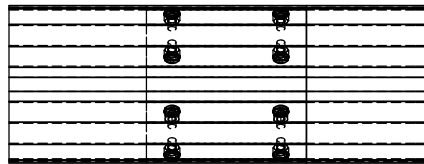
REV. BY:  
KAP



SPLICE DETAIL



END RAIL DETAIL



DETAIL C  
SCALE 1 : 15



Midwest Roadside  
Safety Facility

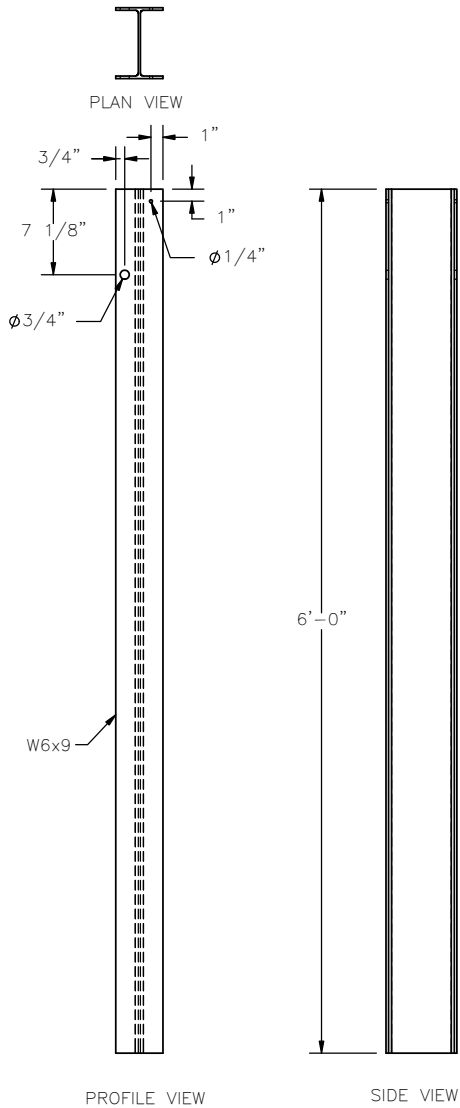
MGS Standard

End Rail Detail  
Splice Detail

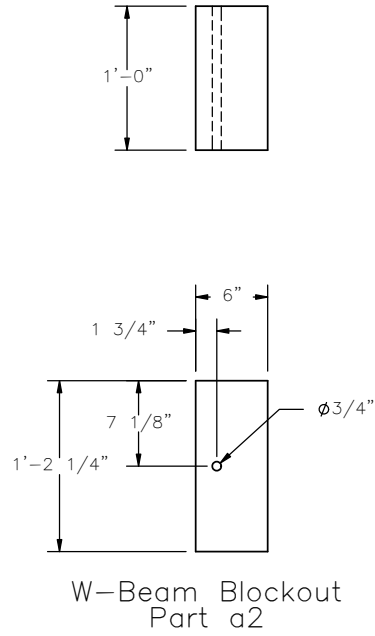
DWG. NAME.  
MGS\_Standard

SCALE: None  
UNITS: Inches

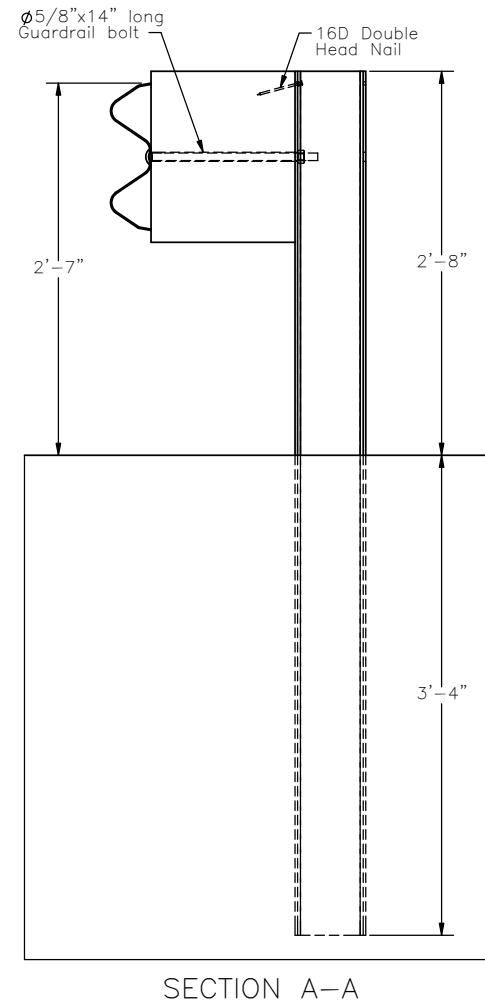
SHEET:  
2 of 7  
DATE:  
9/8/2016  
DRAWN BY:  
GEP  
REV. BY:  
KAP



W-Beam Post  
Part a1



W-Beam Blockout  
Part a2



SECTION A-A



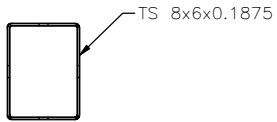
Midwest Roadside  
Safety Facility

MGS Standard  
Posts 3-27 Detail

DWG. NAME.  
MGS\_Standard

SCALE: None  
UNITS: Inches

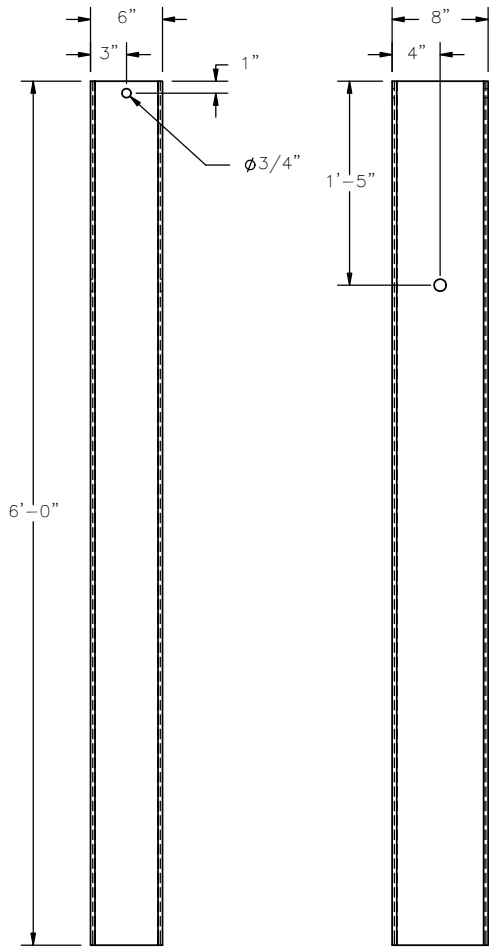
SHEET:  
3 of 7  
DATE:  
9/8/2016  
DRAWN BY:  
GEP  
REV. BY:  
KAP



PLAN VIEW



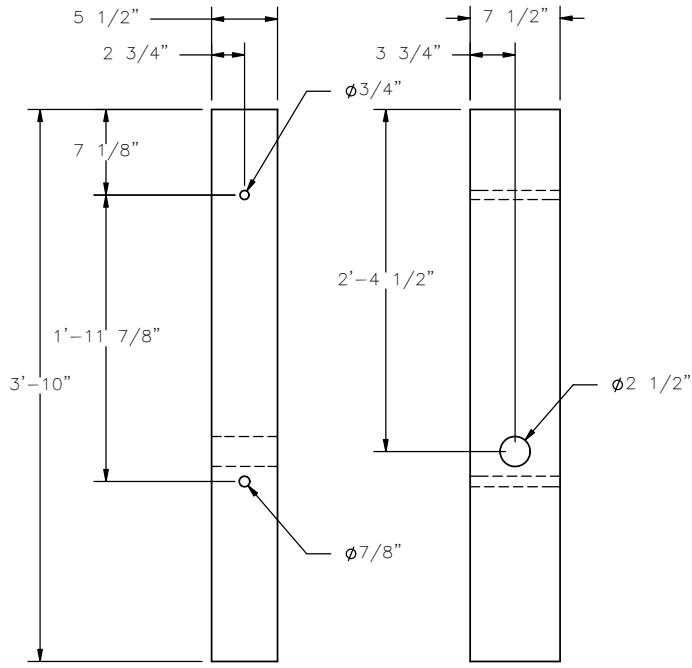
PLAN VIEW



PROFILE VIEW

SIDE VIEW

Foundation Tube  
Part b1



PROFILE VIEW

SIDE VIEW

BCT (MGS) Timber Post  
Part b2



Midwest Roadside  
Safety Facility

MGS Standard

BCT Timber Posts &  
Foundation Tube Detail

SHEET:  
4 of 7

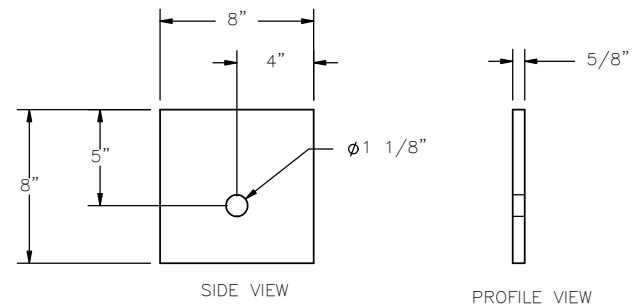
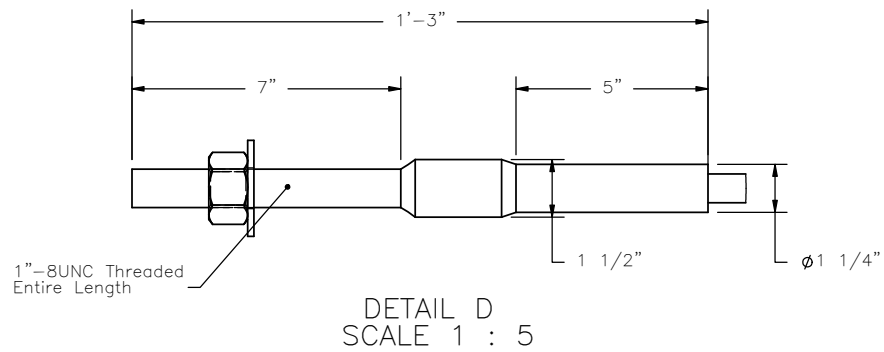
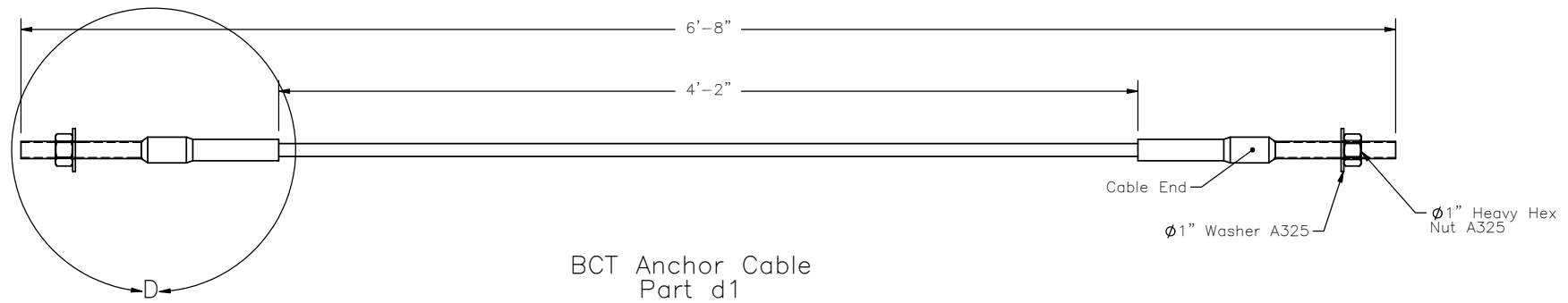
DATE:  
9/8/2016

DRAWN BY:  
GEP

DWG. NAME:  
MGS\_Standard

SCALE: None  
UNITS: Inches

REV. BY:  
KAP

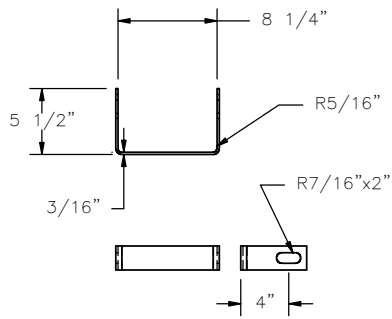


MGS Standard  
BCT Anchor Cable Detail

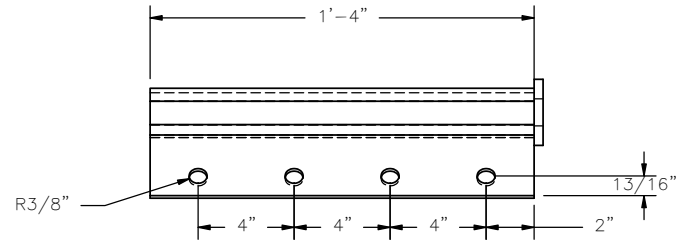
SHEET:  
5 of 7  
DATE:  
9/8/2016  
DRAWN BY:  
GEP  
REV. BY:  
KAP

DWG. NAME:  
MGS\_Standard

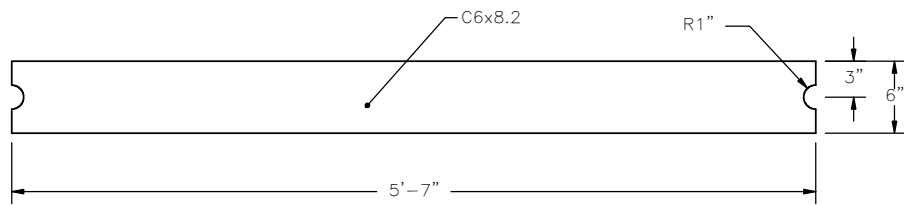
SCALE: None  
UNITS: Inches



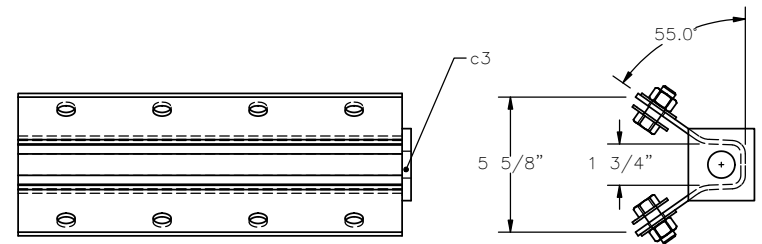
Yoke Detail



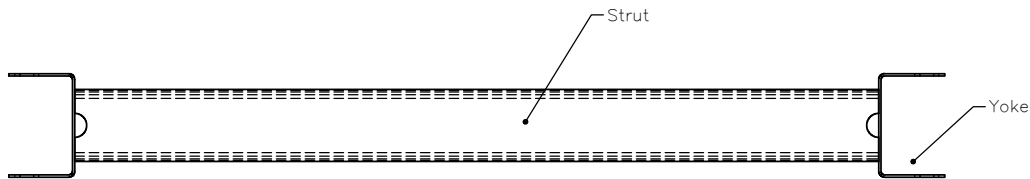
Anchor Bracket Part c2



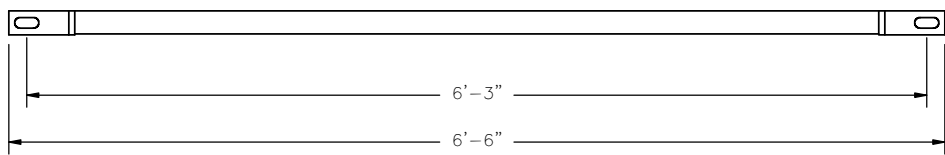
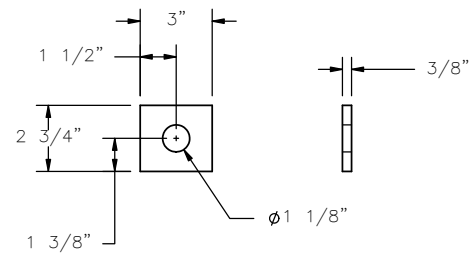
Strut Detail



Anchor Bracket Bearing Plate Part c3



PLAN VIEW



PROFILE VIEW

Ground Strut Part c1



Midwest Roadside Safety Facility

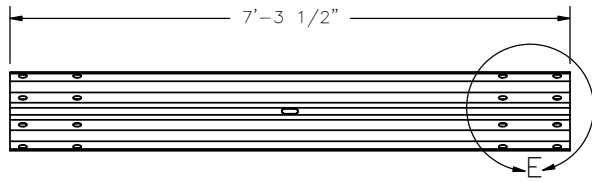
MGS Standard

Ground Strut & Anchor Bracket Details

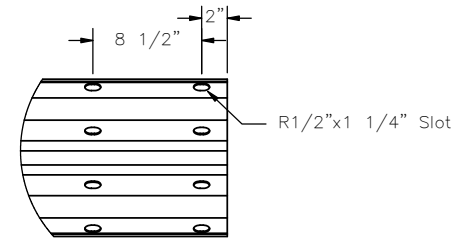
DWG. NAME:  
MGS\_Standard

SCALE: None  
UNITS: Inches

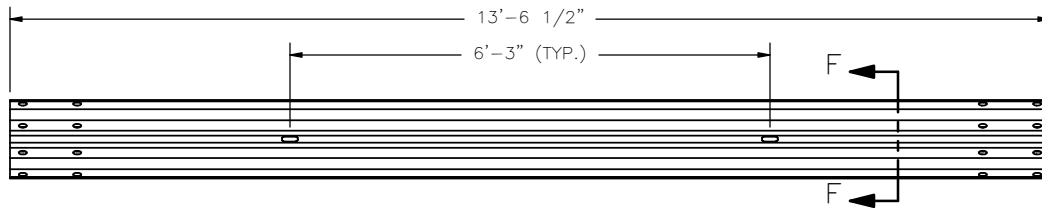
SHEET:  
6 of 7  
DATE:  
9/8/2016  
DRAWN BY:  
GEP  
REV. BY:  
KAP



6'-3" W-Beam Section, 12 gauge



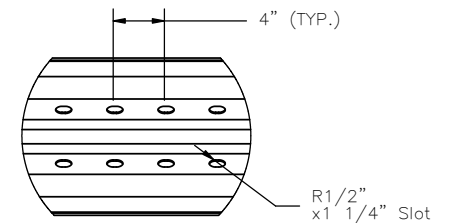
DETAIL E  
SCALE 1 : 15



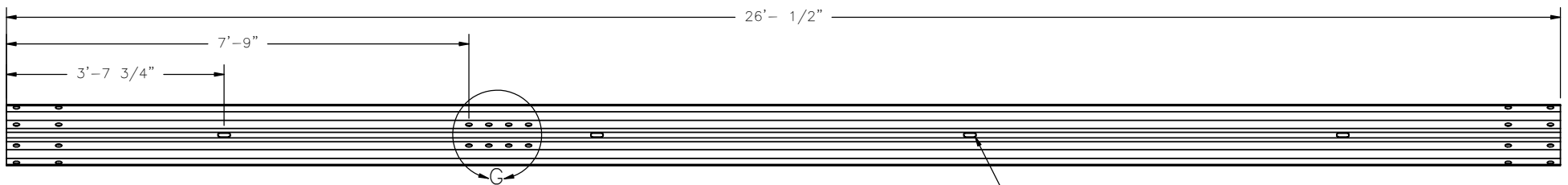
12'-6" W-Beam Section, 12 gauge



SECTION F-F



DETAIL G  
SCALE 1 : 15



25' W-Beam Section, 12 gauge, End Section



Midwest Roadside  
Safety Facility

MGS Standard  
Rail Section Details

DWG. NAME.  
MGS\_Standard

SCALE: None  
UNITS: Inches

SHEET:  
7 of 7  
DATE:  
9/8/2016  
DRAWN BY:  
GEP  
REV. BY:  
KAP