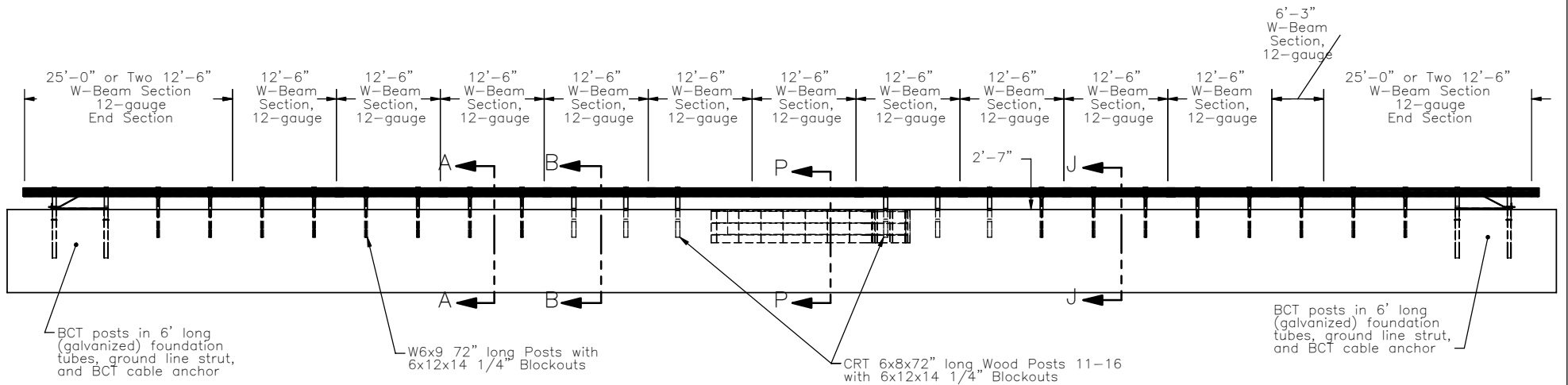
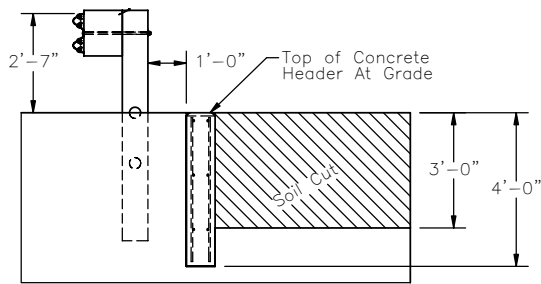


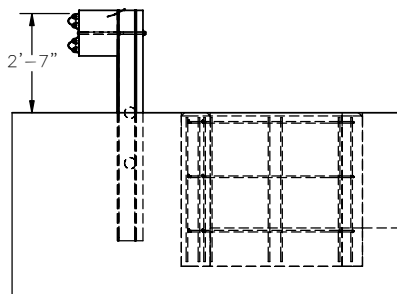
PLAN VIEW



PROFILE VIEW



SECTION P-P



SECTION J-J



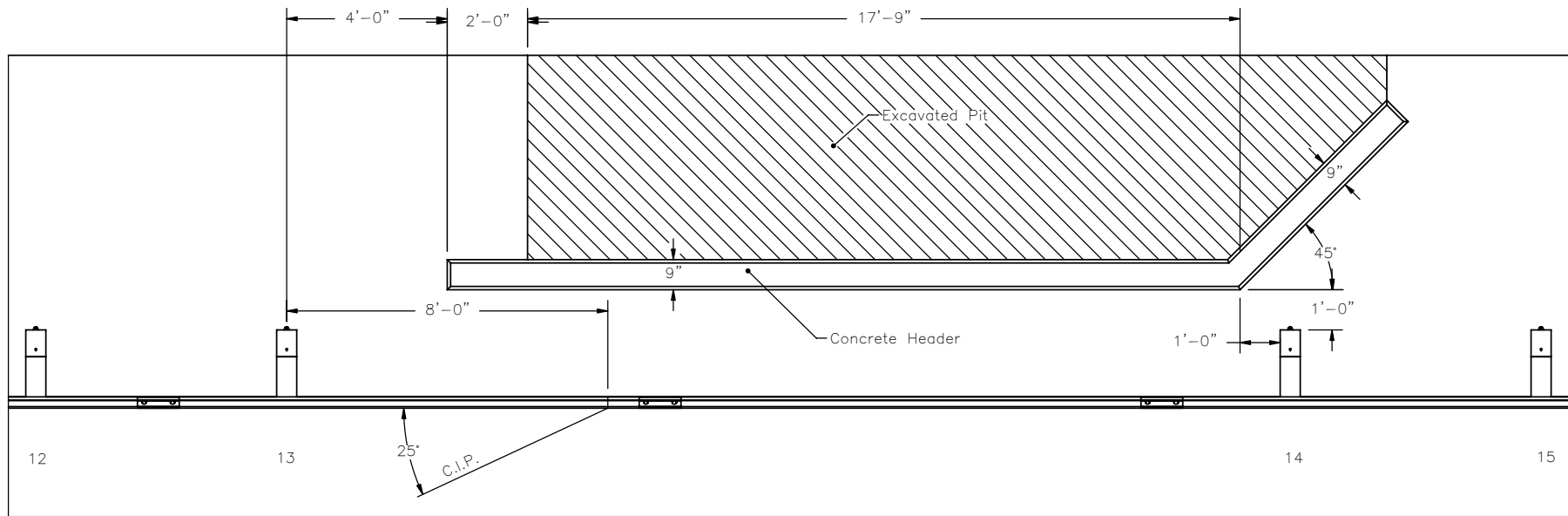
Midwest Roadside
Safety Facility

MGS Long Span
System Layout

DWG. NAME:
MGS_Longspan_R6

SCALE: None
UNITS: Inches

SHEET:
1 of 10
DATE:
02/21/2006
DRAWN BY:
GEP
REV. BY:
KAP/RKF



PLAN VIEW



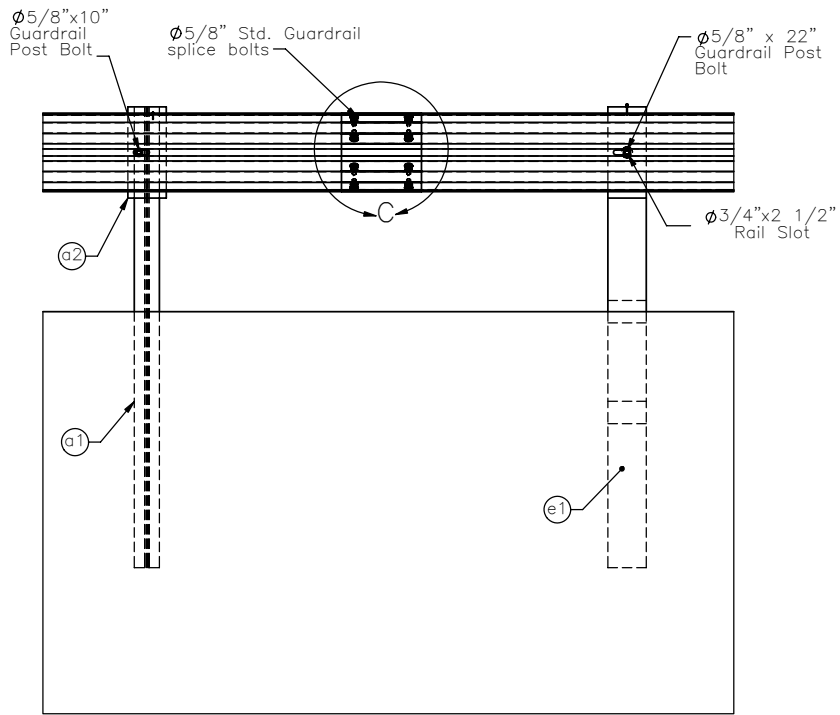
Midwest Roadside
Safety Facility

MGS Long Span
Soil Cut Details

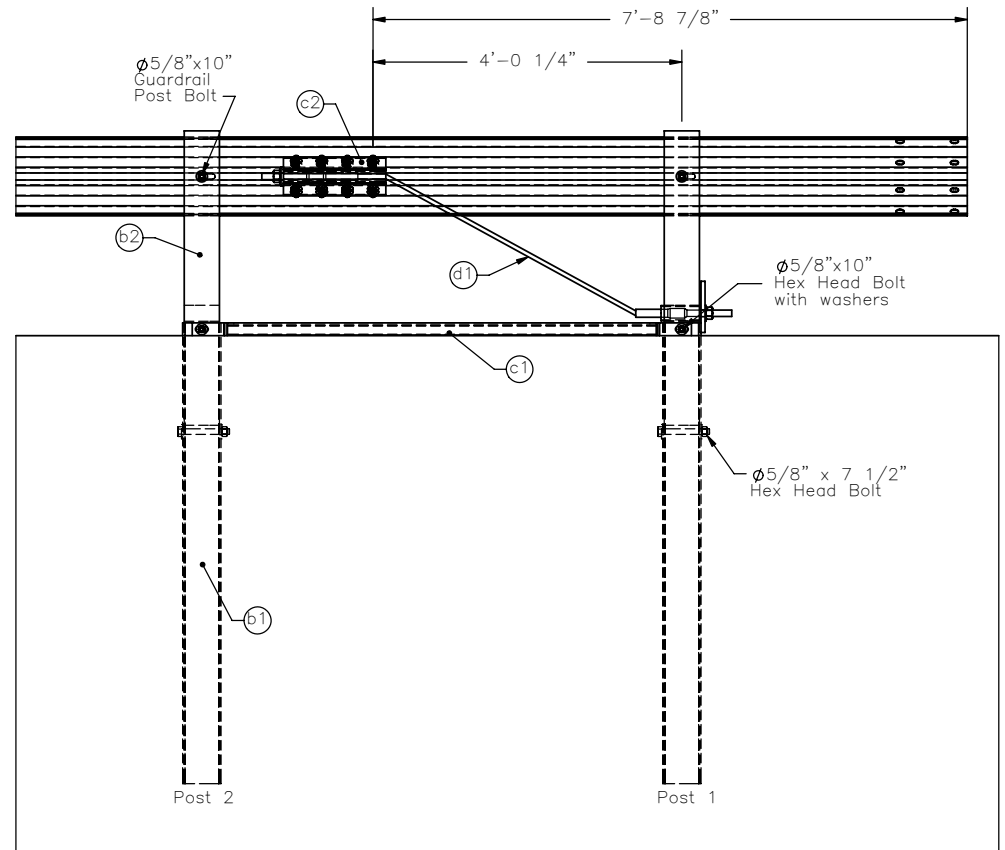
DWG. NAME.
MGS_Longspan_R6

SCALE: None
UNITS: Inches

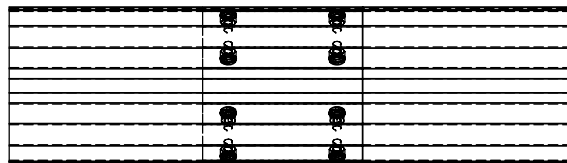
SHEET:
2 of 10
DATE:
02/21/2006
DRAWN BY:
GEP
REV. BY:
KAP/RKF



SPlice DETAIL



END RAIL DETAIL



DETAIL C
SCALE 1 : 15



Midwest Roadside
Safety Facility

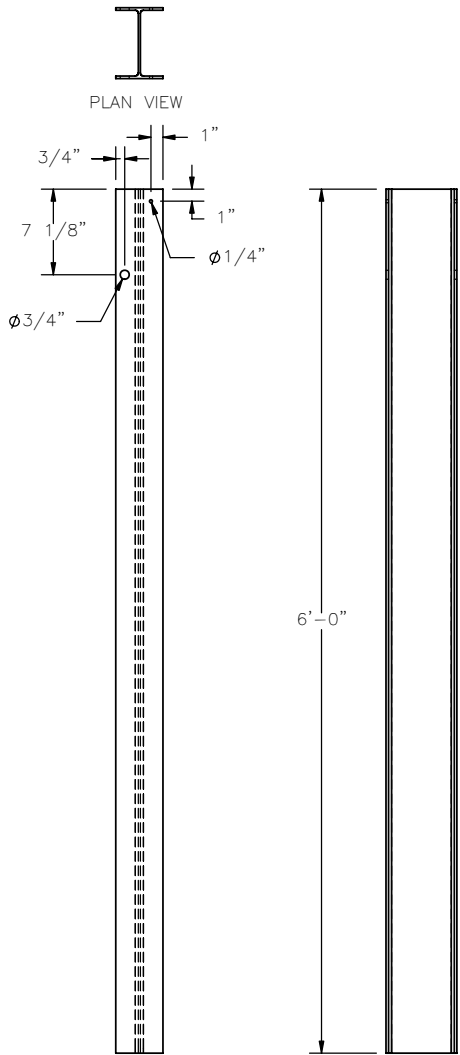
MGS Long Span

End Rail Detail
Splice Detail

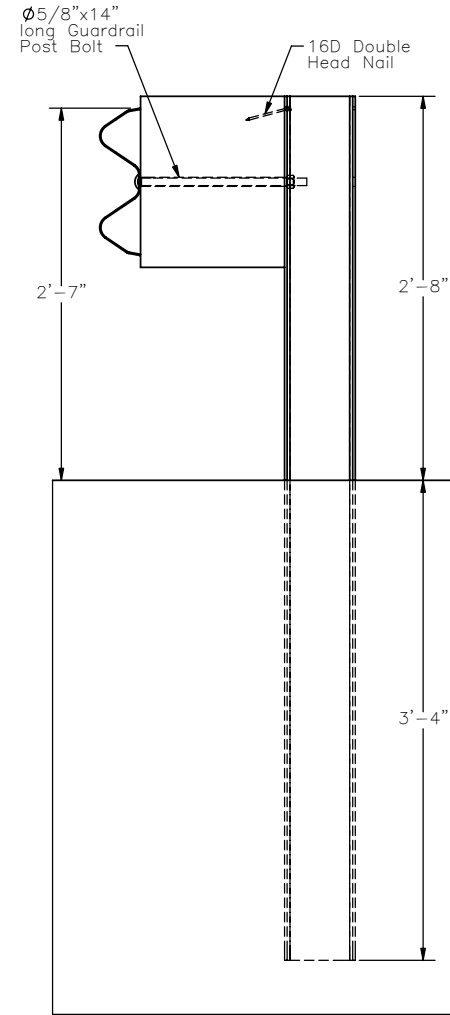
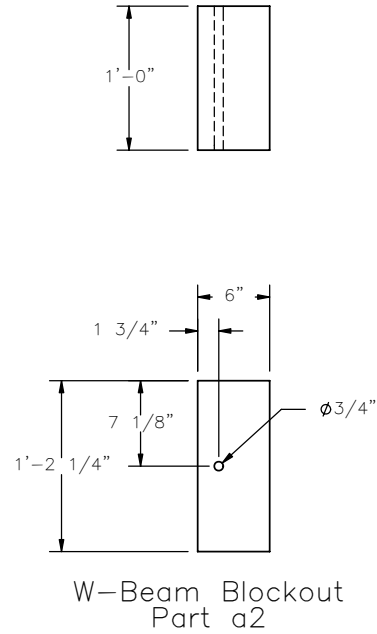
DWG. NAME.
MGS_Longspan_R6

SCALE: None
UNITS: Inches

SHEET:
3 of 10
DATE:
02/21/2006
DRAWN BY:
GEP
REV. BY:
KAP/RKF



W6x9-Beam Post
Part a1



Midwest Roadside
Safety Facility

MGS Long Span

Post 3-10 &
17-24 Detail
W6x9 Posts

SHEET:
4 of 10

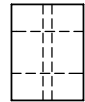
DATE:
02/21/2006

DRAWN BY:
GEP

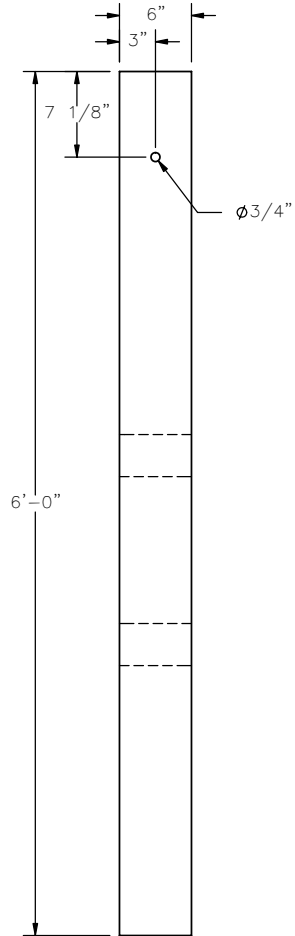
DWG. NAME:
MGS_Longspan_R6

SCALE: None
UNITS: Inches

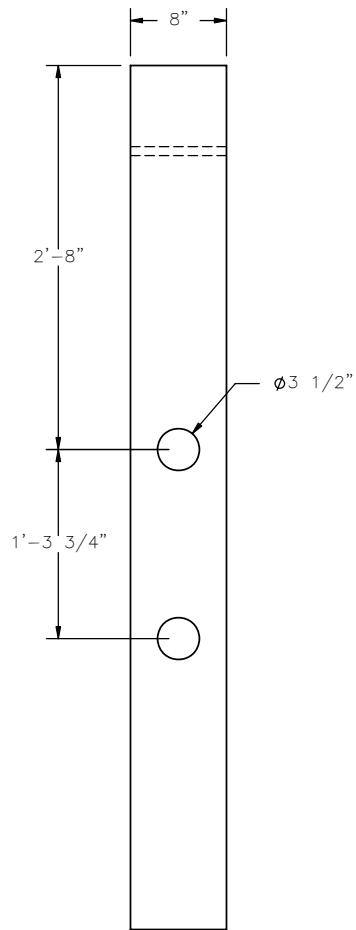
REV. BY:
KAP/RKF



PLAN VIEW

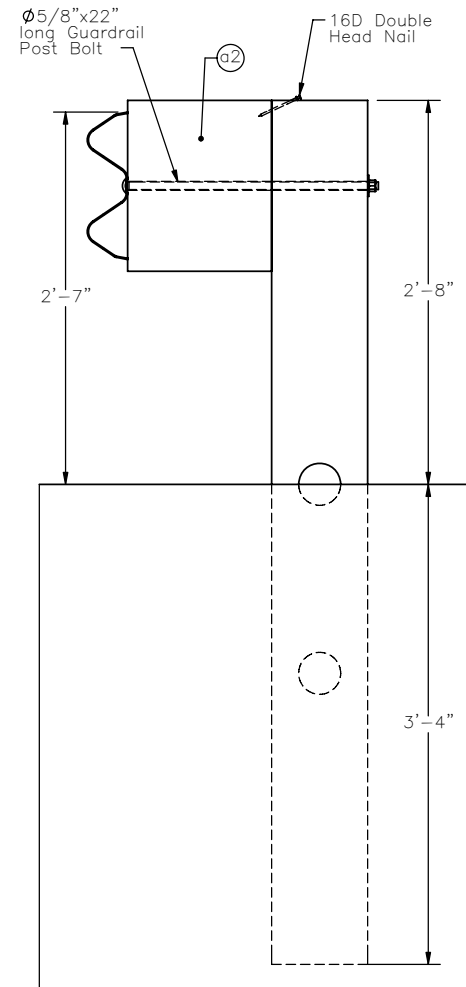


PROFILE VIEW



SIDE VIEW

CRT Wood Post
Part e1



SECTION B-B



Midwest Roadside
Safety Facility

MGS Long Span

Post 11-16 Detail
CRT Wood Posts

SHEET:
5 of 10

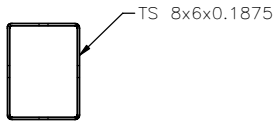
DATE:
02/21/2006

DRAWN BY:
GEP

DWG. NAME:
MGS_Longspan_R6

SCALE: None
UNITS: Inches

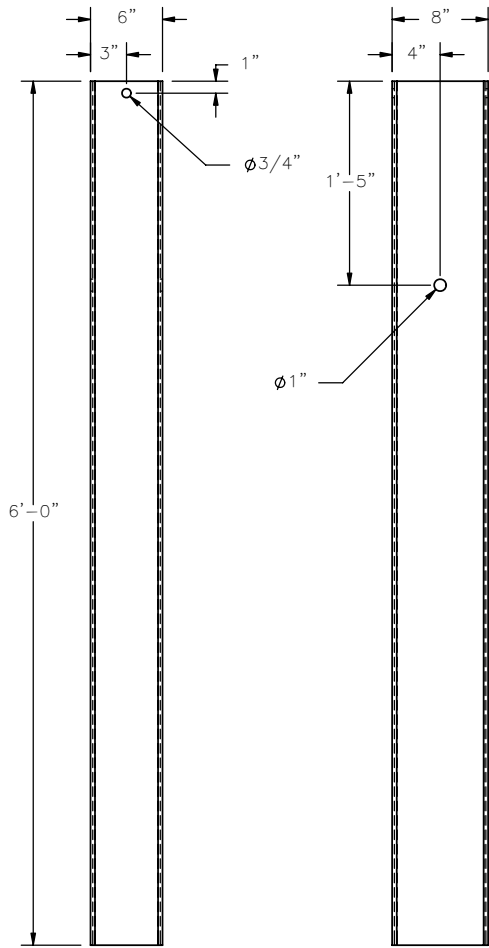
REV. BY:
KAP/RKF



PLAN VIEW



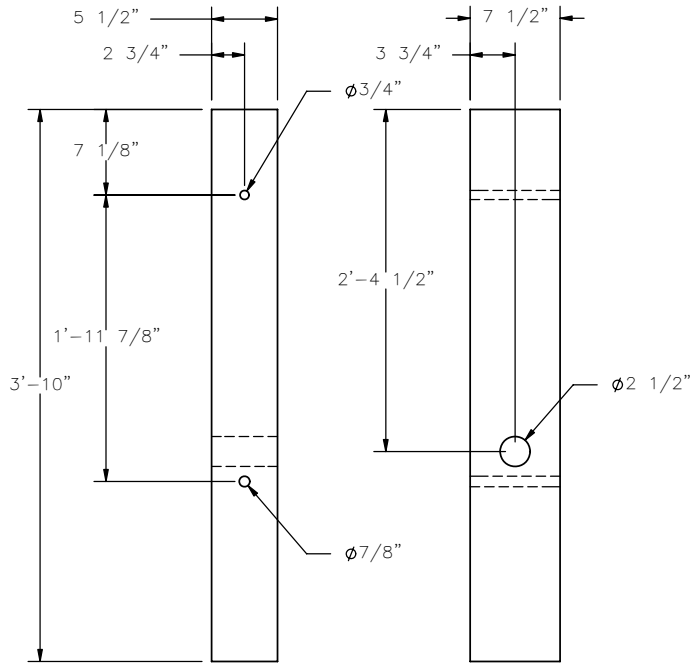
PLAN VIEW



PROFILE VIEW

SIDE VIEW

Foundation Tube
Part b1



PROFILE VIEW

SIDE VIEW

BCT (MGS) Timber Post
Part b2



Midwest Roadside
Safety Facility

MGS Long Span

BCT Timber Posts &
Foundation Tube Detail

SHEET:
6 of 10

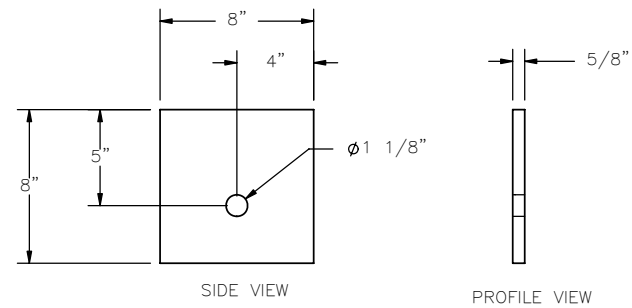
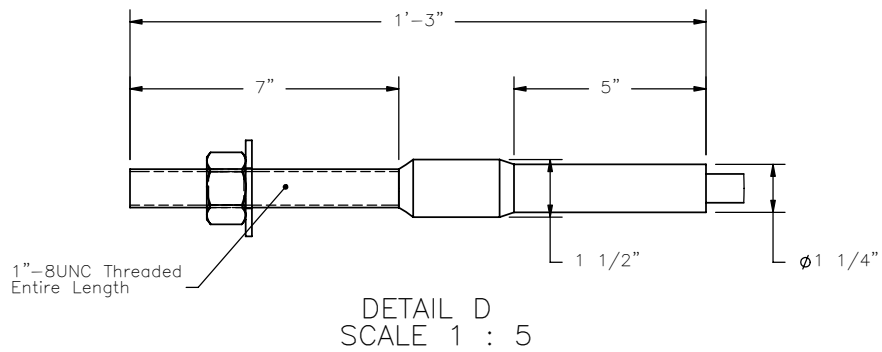
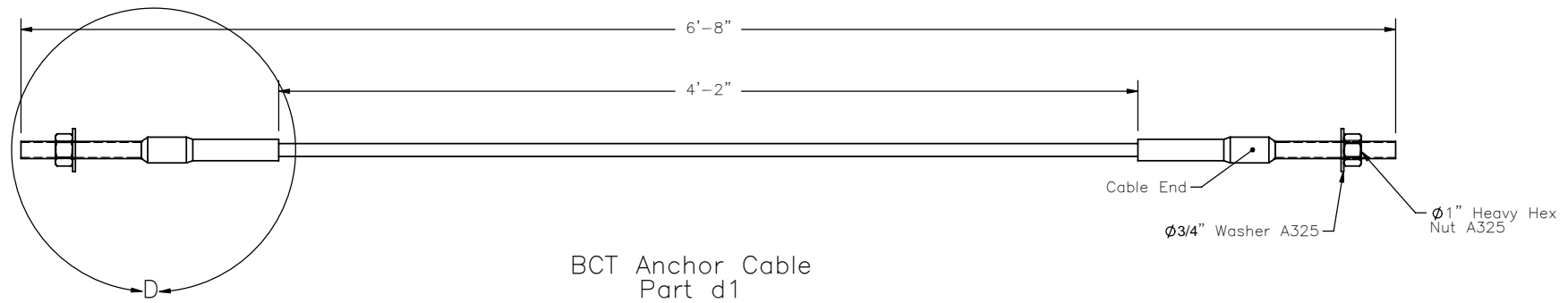
DATE:
02/21/2006

DRAWN BY:
GEP

DWG. NAME:
MGS_Longspan_R6

SCALE: None
UNITS: Inches

REV. BY:
KAP/RKF



MGS Long Span

BCT Anchor Cable Detail

DWG. NAME.
MGS_Longspan_R6

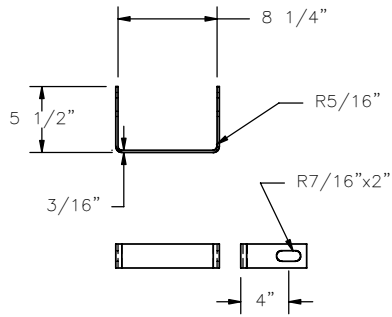
SCALE: None
UNITS: Inches

SHEET:
7 of 10

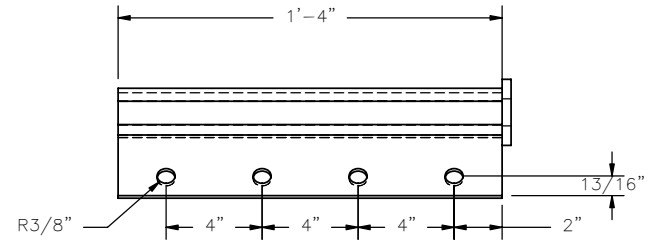
DATE:
02/21/2006

DRAWN BY:
GEP

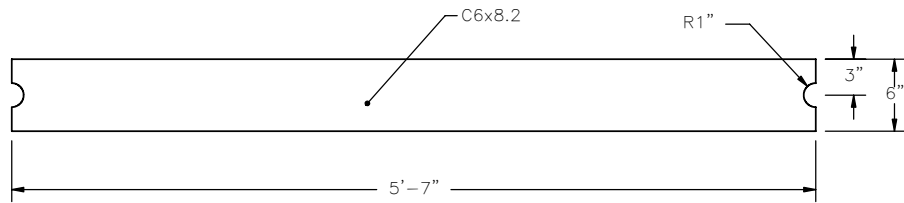
REV. BY:
KAP/RKF



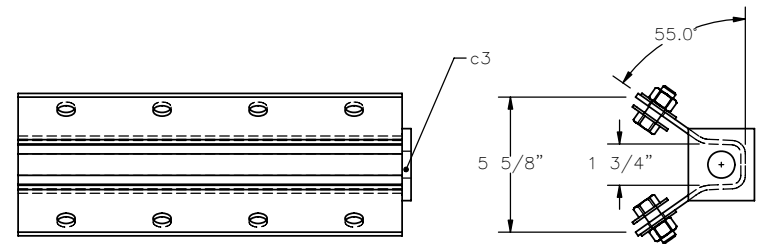
Yoke Detail



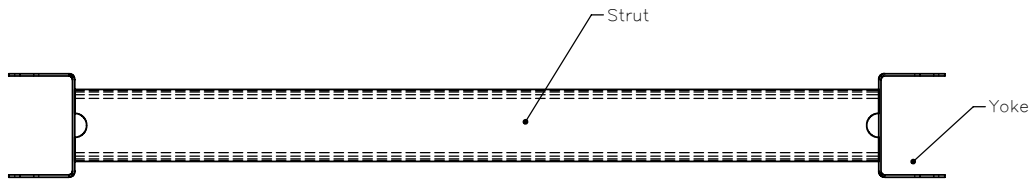
Anchor Bracket Part c2



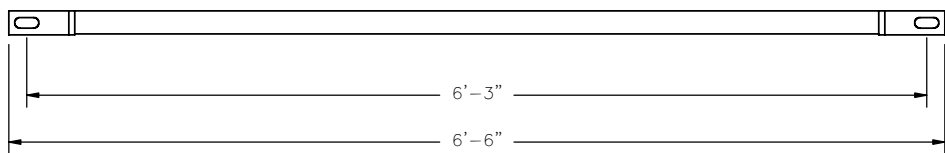
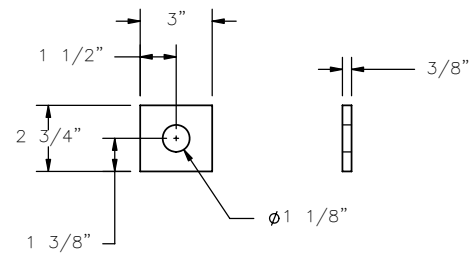
Strut Detail



Anchor Bracket Bearing Plate Part c3



PLAN VIEW



PROFILE VIEW

Ground Strut Part c1



Midwest Roadside Safety Facility

MGS Long Span

Ground Strut & Anchor Bracket Details

SHEET: 8 of 10

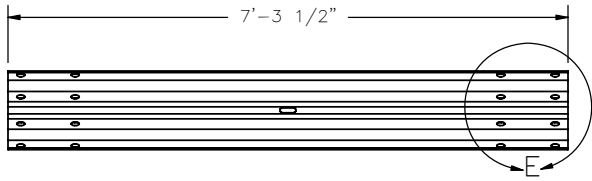
DATE: 02/21/2006

DRAWN BY: GEP

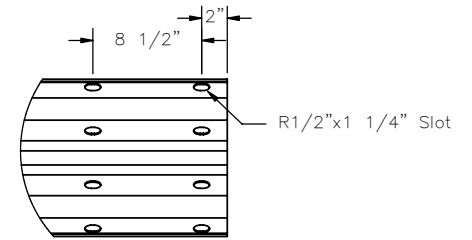
REV. BY: KAP/RKF

DWG. NAME: MGS_Longspan_R6

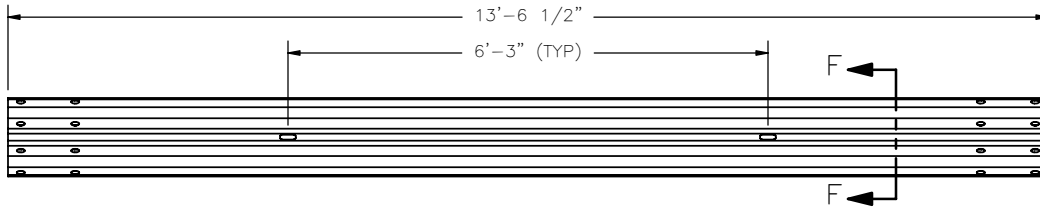
SCALE: None
UNITS: Inches



6'-3" W-Beam Section, 12 gauge



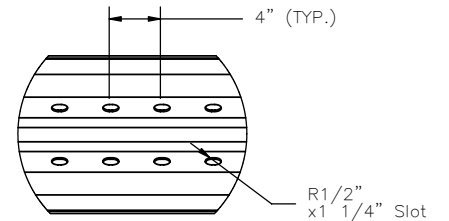
DETAIL E
SCALE 1 : 15



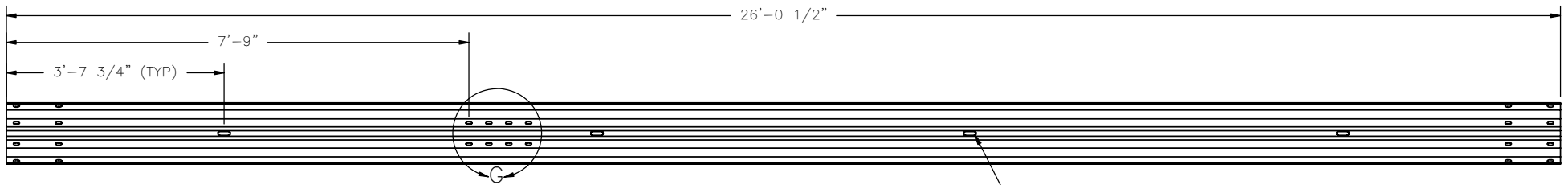
12'-6" W-Beam Section, 12 gauge



SECTION F-F



DETAIL G
SCALE 1 : 15



25' W-Beam Section, 12 gauge, End Section



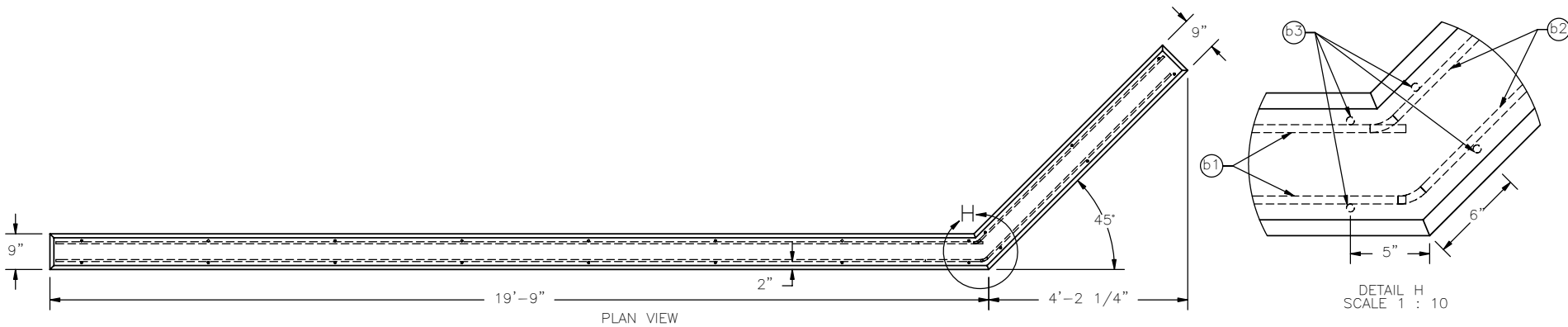
Midwest Roadside
Safety Facility

MGS Long Span
Rail Section Details

DWG. NAME:
MGS_Longspan_R6

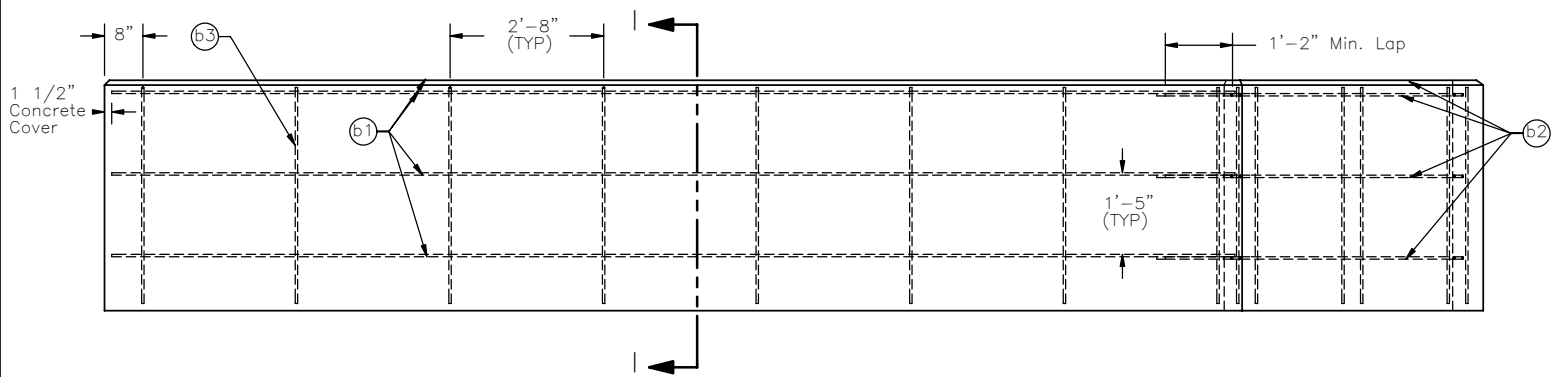
SCALE: None
UNITS: Inches

SHEET:
9 of 10
DATE:
02/21/2006
DRAWN BY:
GEP
REV. BY:
KAP/RKF

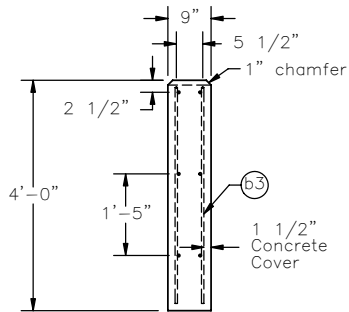


PLAN VIEW

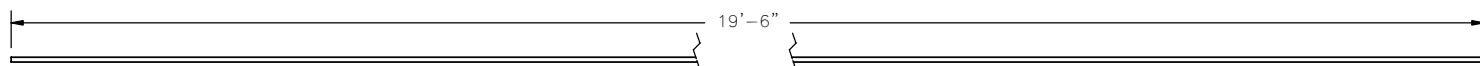
DETAIL H
SCALE 1 : 10



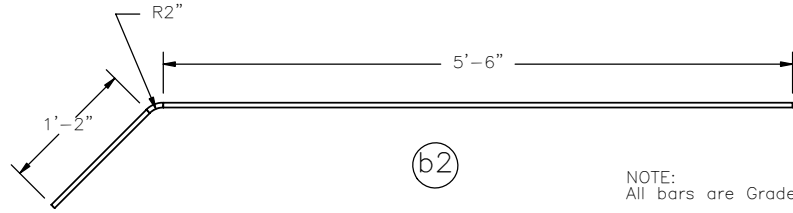
PROFILE VIEW



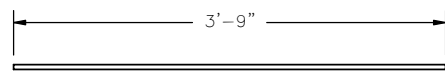
SECTION I-I



(b1)



(b2)



(b3)

NOTE:
All bars are Grade 60 No. 4

Bill of Bars

Item No.	QTY.	Description	Material Specification
-	1	Concrete Header	f'c=4000 ksi
b1	6	#4 Bar - Longitudinal - 234" long	Grade 60 Steel
b2	6	#4 Bar - Bent Longitudinal - 80" long	Grade 60 Steel
b3	22	#4 Bar - Transverse - 45" long	Grade 60 Steel



Midwest Roadside
Safety Facility

MGS Long Span
Concrete Header Details

DWG. NAME:
MGS_Longspan_R6

SCALE: None
UNITS: Inches

SHEET:
10 of 10
DATE:
02/21/2006
DRAWN BY:
GEP
REV. BY:
KAP/RKF