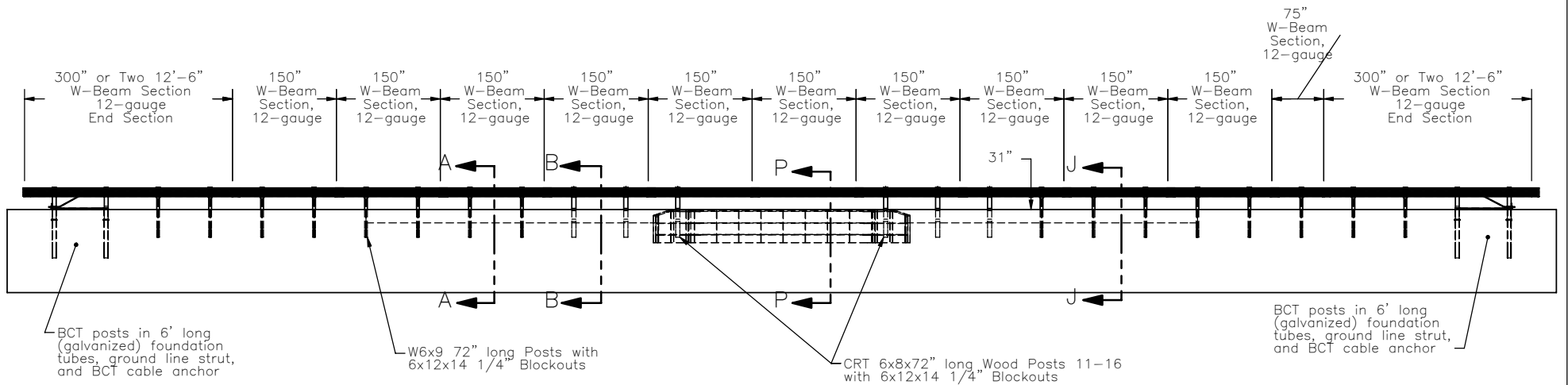
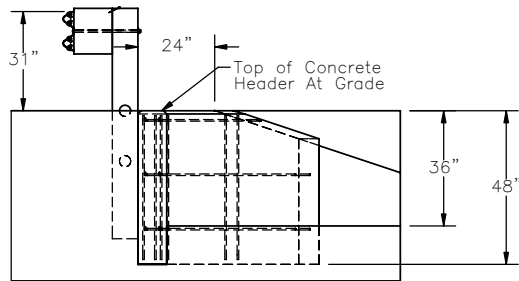


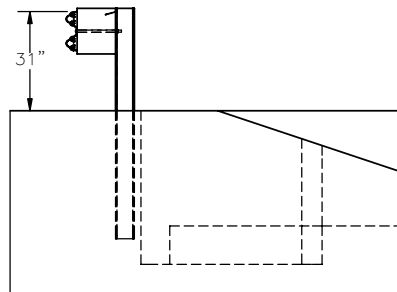
PLAN VIEW



PROFILE VIEW



SECTION P-P



SECTION J-J



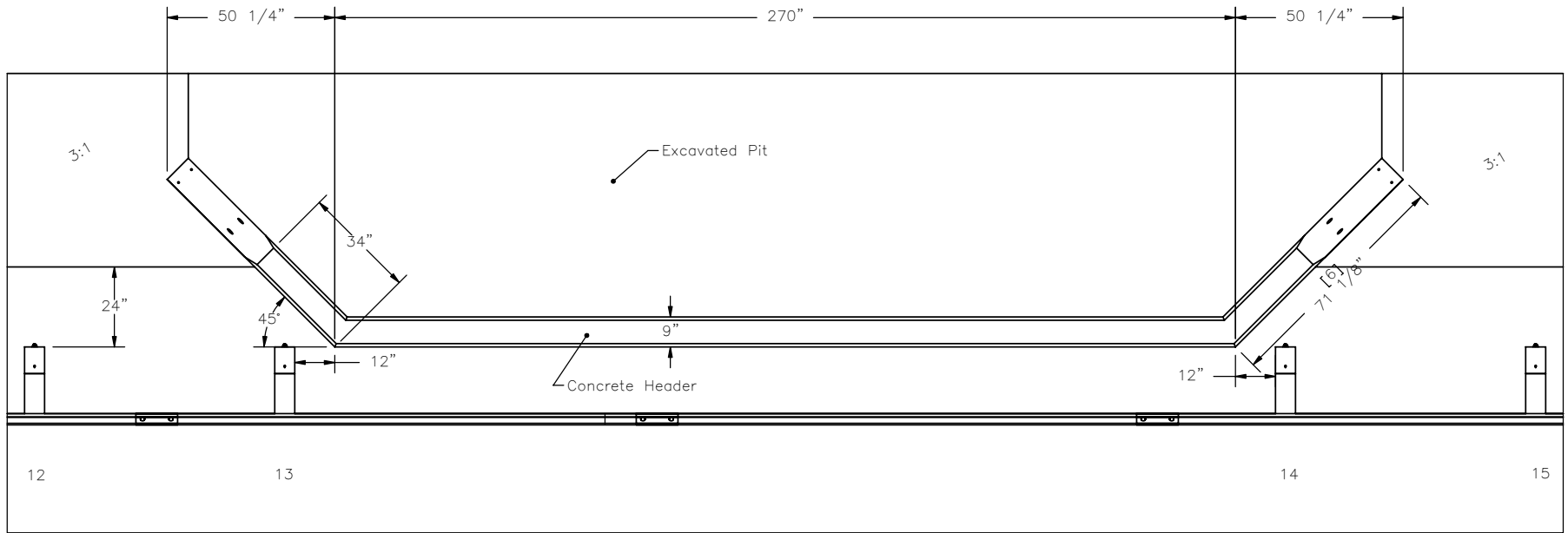
Midwest Roadside  
Safety Facility

MGS Long Span LSC-2  
System Layout

DWG. NAME:  
MGS\_Longspan\_LSC-2\_R2

SCALE: None  
UNITS: Inches

SHEET:  
1 of 10  
DATE:  
05/23/2006  
DRAWN BY:  
GEP  
REV. BY:  
KAP/CME



PLAN VIEW



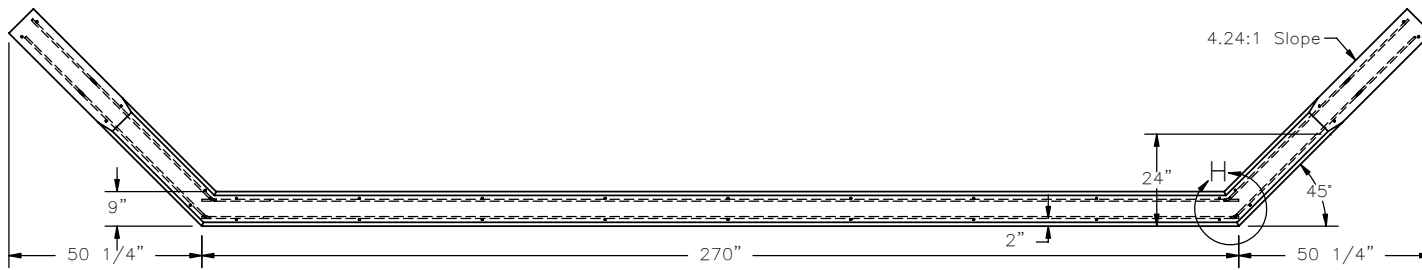
Midwest Roadside  
Safety Facility

MGS Long Span LSC-2  
Soil Cut Details

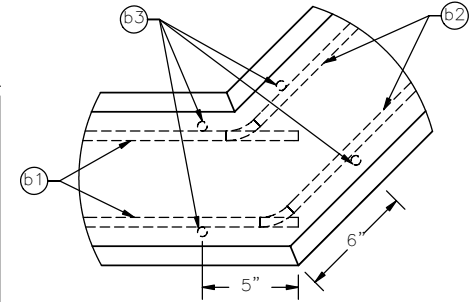
DWG. NAME.  
MGS\_Longspan\_LSC-2\_R2

SCALE: None  
UNITS: Inches

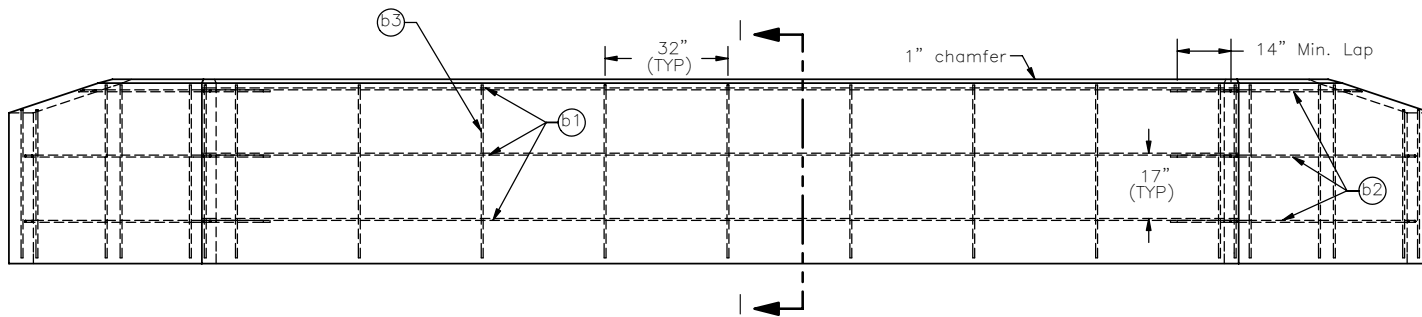
SHEET:  
2 of 10  
DATE:  
05/23/2006  
DRAWN BY:  
GEP  
REV. BY:  
KAP/CME



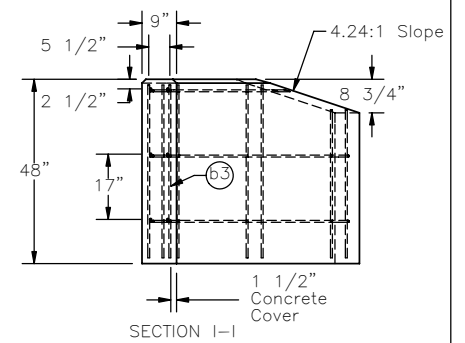
PLAN VIEW



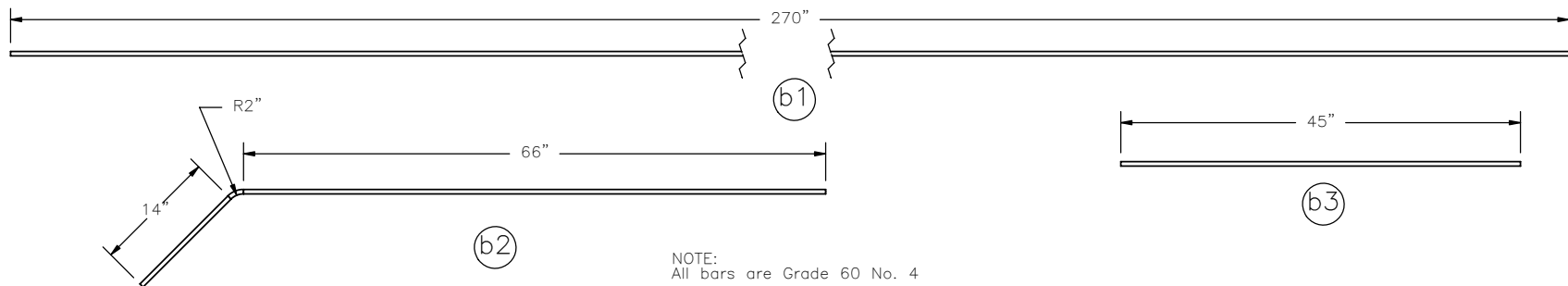
DETAIL H  
SCALE 1 : 10



PROFILE VIEW



SECTION I-I



NOTE:  
All bars are Grade 60 No. 4

Bill of Bars

Item No.	QTY.	Description	Material Specification
-	1	Concrete Header	f'c=4000 ksi
b1	6	#4 Bar - Longitudinal - 270" long	Grade 60 Steel
b2	12	#4 Bar - Bent Longitudinal - 80" long	Grade 60 Steel
b3	30	#4 Bar - Transverse - 45" long	Grade 60 Steel



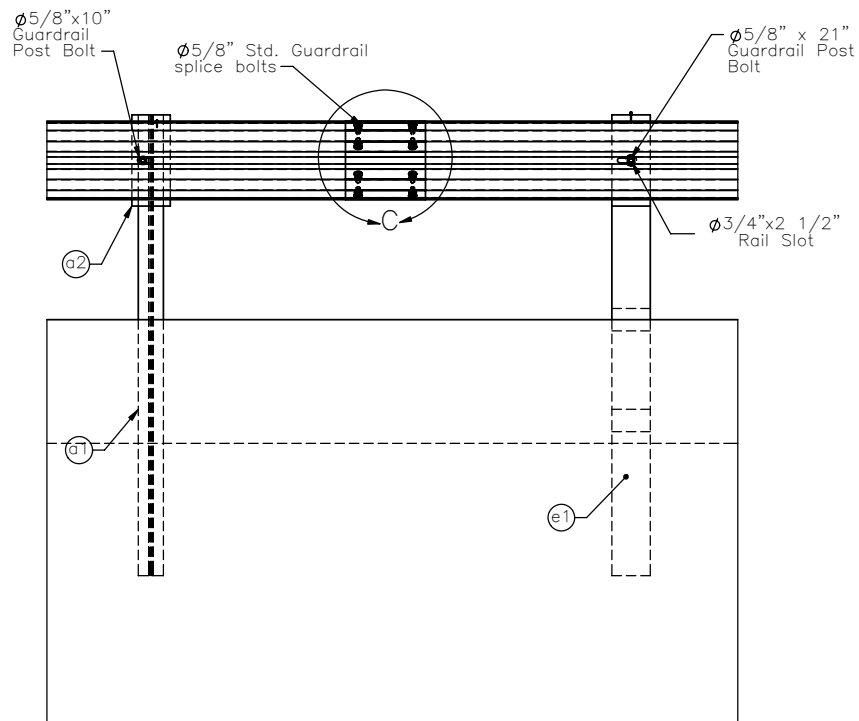
Midwest Roadside  
Safety Facility

MGS Long Span LSC-2  
Concrete Header Details

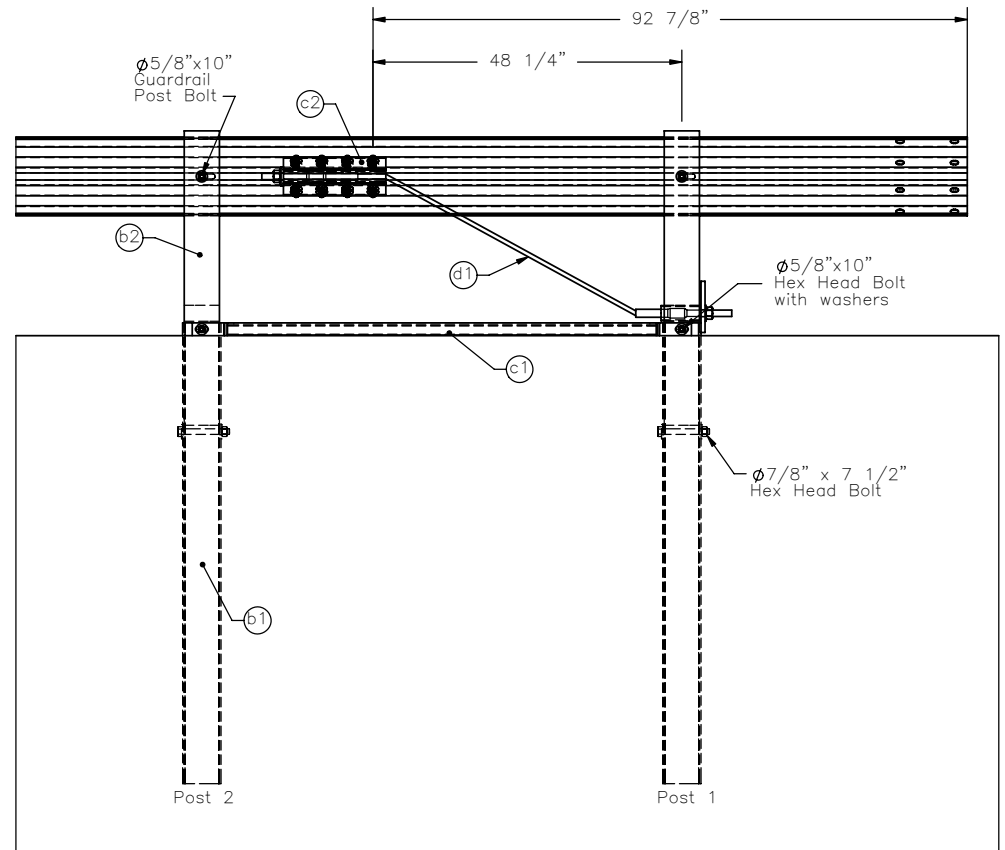
DWG. NAME:  
MGS\_Longspan\_LSC-2\_R2

SCALE: None  
UNITS: Inches

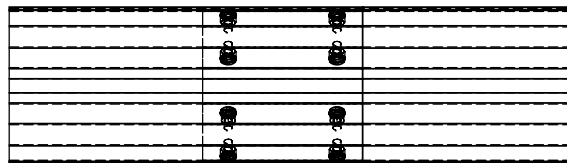
SHEET:  
3 of 10  
DATE:  
05/23/2006  
DRAWN BY:  
GEP  
REV. BY:  
KAP/CME



SPlice DETAIL



END RAIL DETAIL



DETAIL C  
SCALE 1 : 15



Midwest Roadside  
Safety Facility

MGS Long Span LSC-2

End Rail Detail  
Splice Detail

SHEET:  
4 of 10

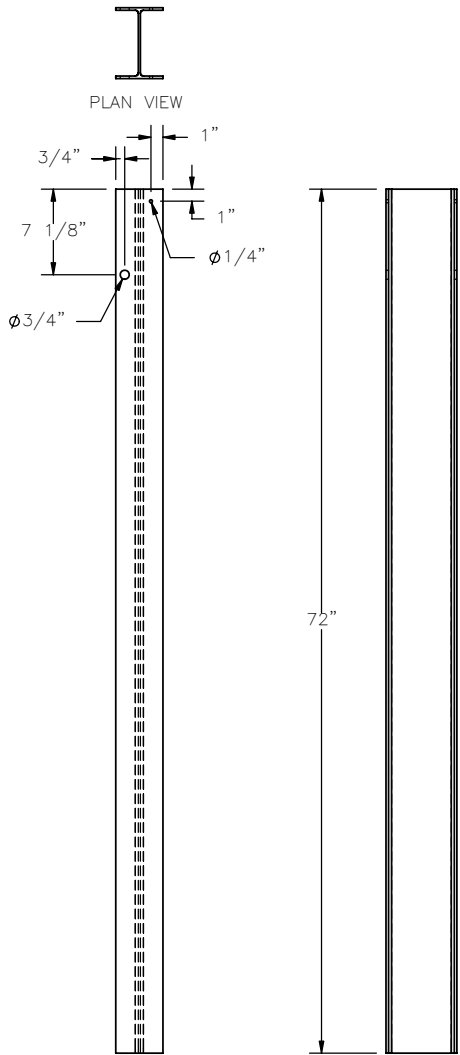
DATE:  
05/23/2006

DRAWN BY:  
GEP

DWG. NAME.  
MGS\_Longspan\_LSC-2\_R2

SCALE: None  
UNITS: Inches

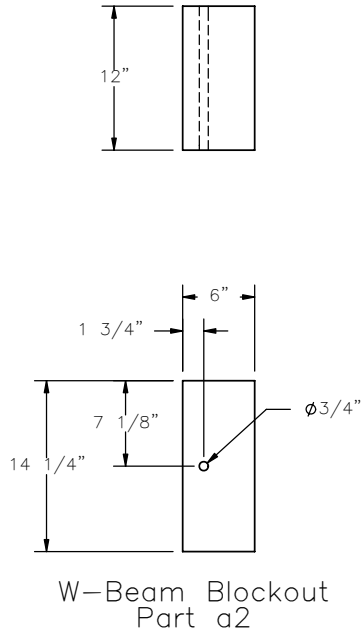
REV. BY:  
KAP/CME



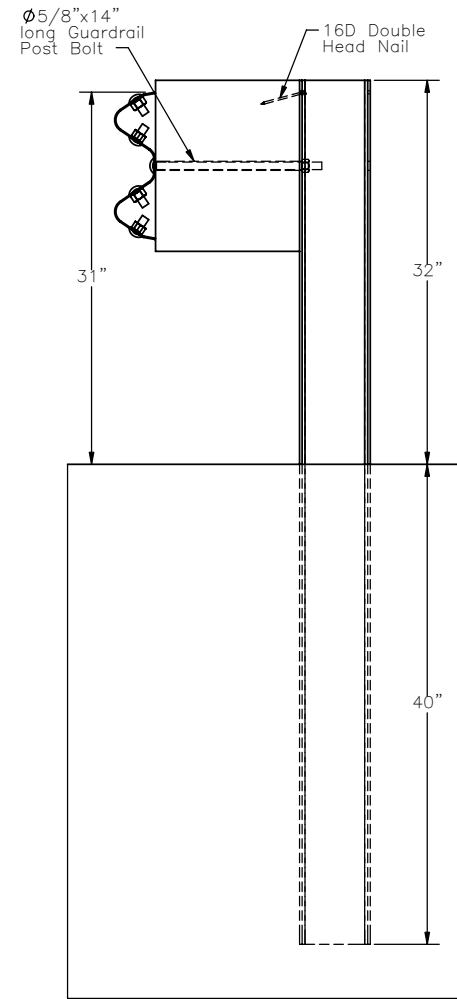
PROFILE VIEW

SIDE VIEW

W6x9-Beam Post  
Part a1



W-Beam Blockout  
Part a2



SECTION A-A



Midwest Roadside  
Safety Facility

MGS Long Span LSC-2

Post 3-10 &  
17-24 Detail  
W6x9 Posts

SHEET:  
5 of 10

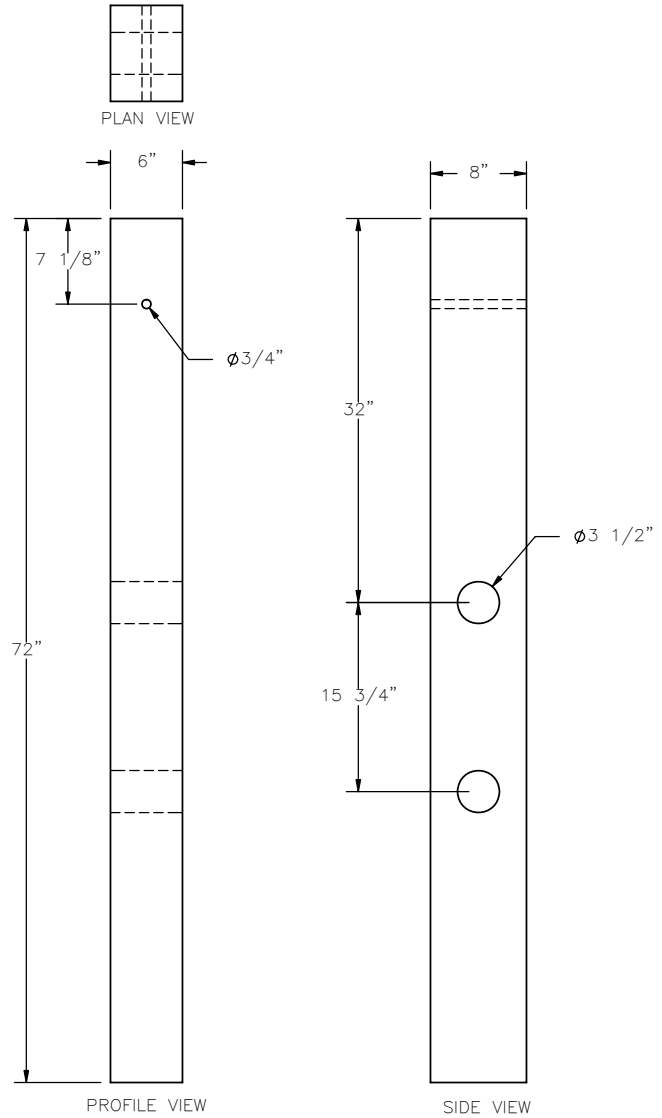
DATE:  
05/23/2006

DRAWN BY:  
GEP

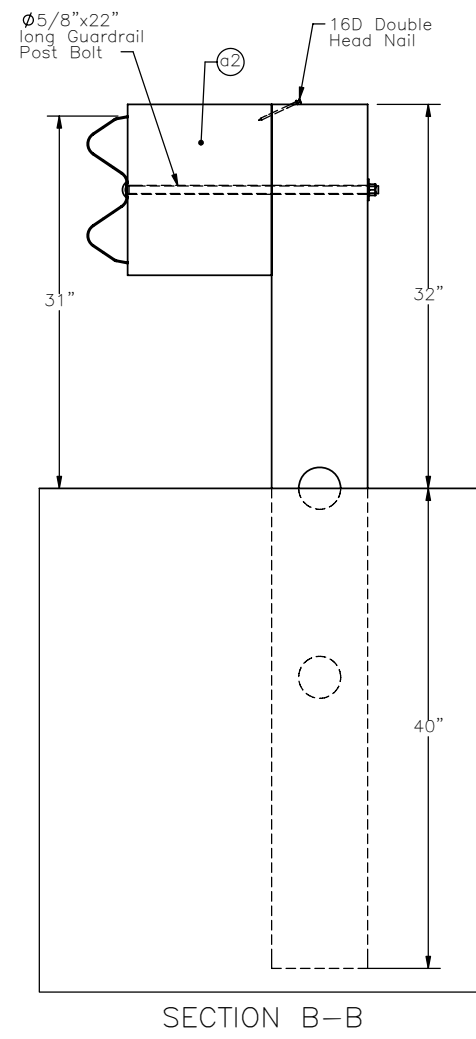
REV. BY:  
KAP/CME

DWG. NAME:  
MGS\_Longspan\_LSC-2\_R2

SCALE: None  
UNITS: Inches



CRT Wood Post  
Part e1



SECTION B-B



Midwest Roadside  
Safety Facility

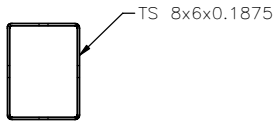
MGS Long Span LSC-2

Post 11-16 Detail  
CRT Wood Posts

DWG. NAME.  
MGS\_Longspan\_LSC-2\_R2

SCALE: None  
UNITS: Inches

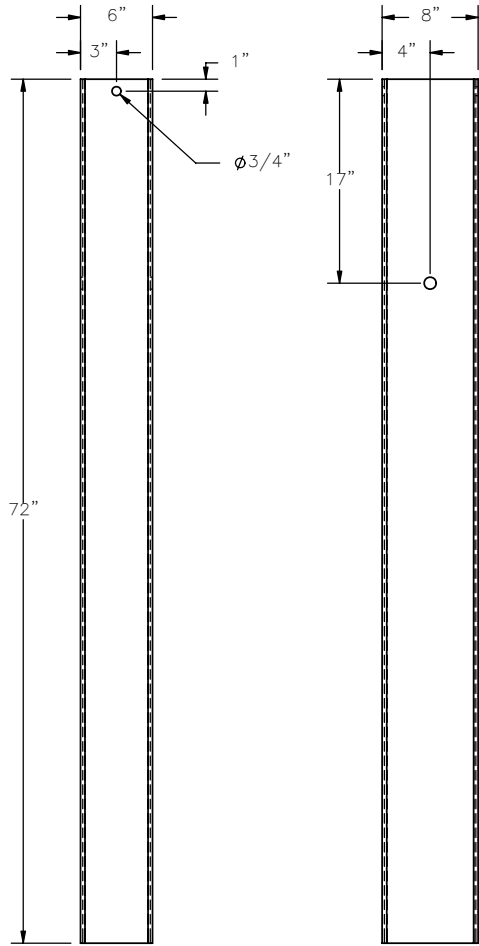
SHEET:  
6 of 10  
DATE:  
05/23/2006  
DRAWN BY:  
GEP  
REV. BY:  
KAP/CME



PLAN VIEW



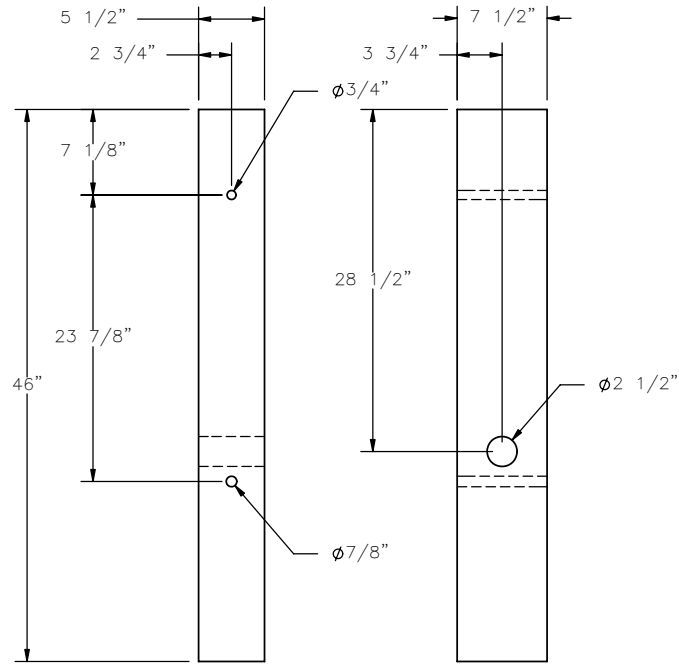
PLAN VIEW



PROFILE VIEW

SIDE VIEW

Foundation Tube  
Part b1



PROFILE VIEW

SIDE VIEW

BCT (MGS) Timber Post  
Part b2



Midwest Roadside  
Safety Facility

MGS Long Span LSC-2

BCT Timber Posts &  
Foundation Tube Detail

SHEET:  
7 of 10

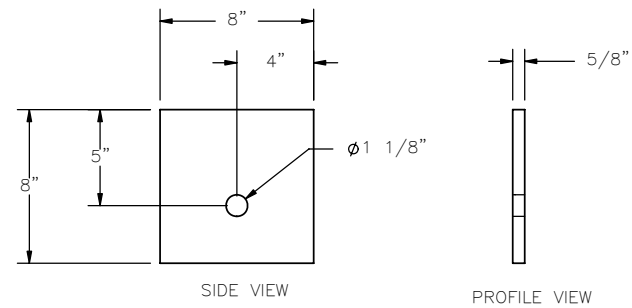
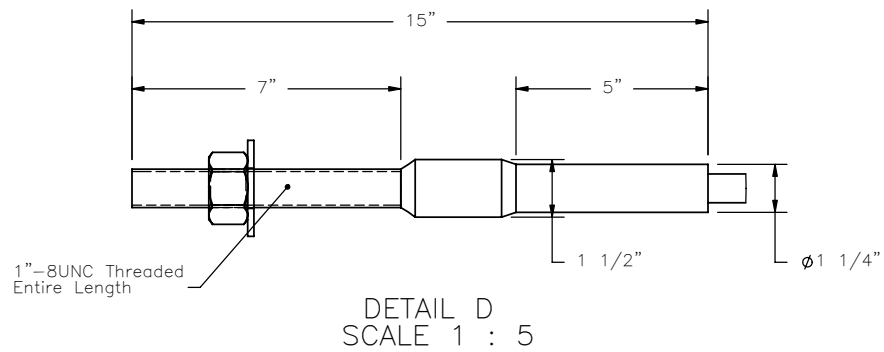
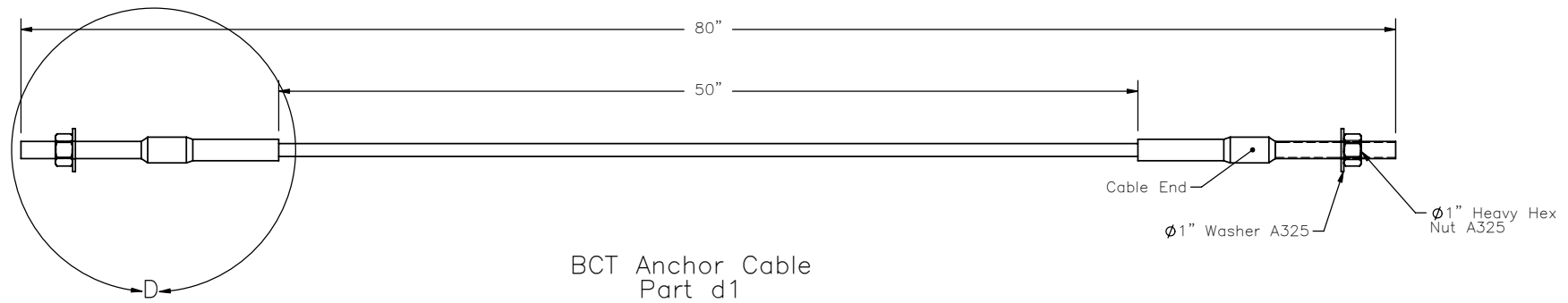
DATE:  
05/23/2006

DRAWN BY:  
GEP

REV. BY:  
KAP/CME

DWG. NAME:  
MGS\_Longspan\_LSC-2\_R2

SCALE: None  
UNITS: Inches



Midwest Roadside  
Safety Facility

MGS Long Span LSC-2

BCT Anchor Cable Detail

SHEET:  
8 of 10

DATE:  
05/23/2006

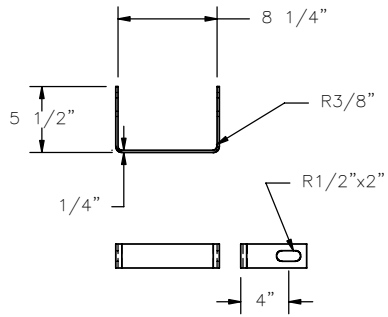
DRAWN BY:  
GEP

DWG. NAME:  
MGS\_Longspan\_LSC-2\_R2

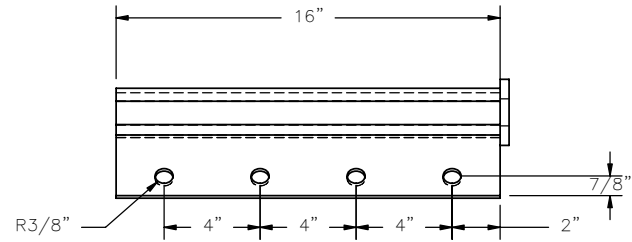
SCALE: None  
UNITS: Inches

REV. BY:  
KAP/CME

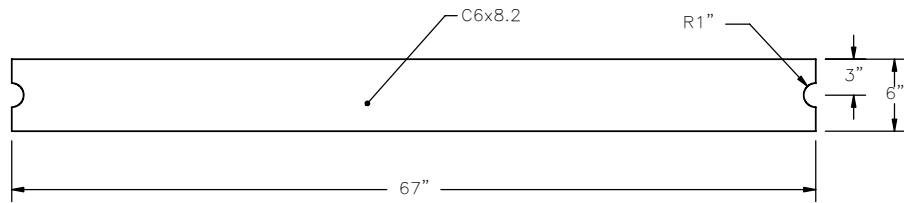




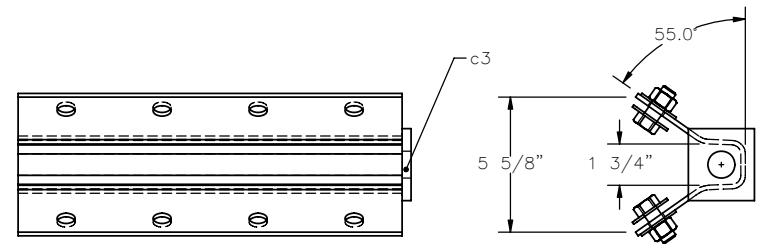
Yoke Detail



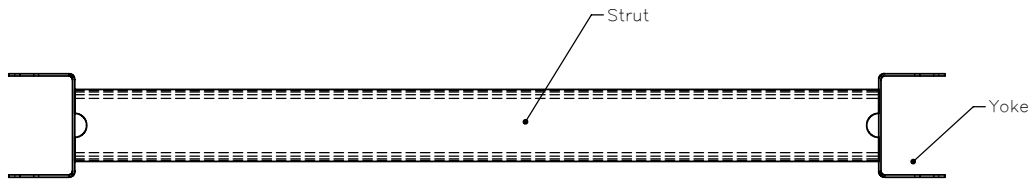
Anchor Bracket  
Part c2



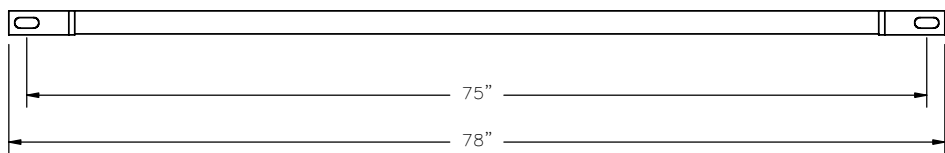
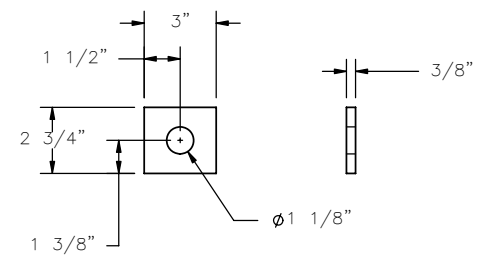
Strut Detail



Anchor Bracket  
Bearing Plate  
Part c3



PLAN VIEW



PROFILE VIEW

Ground Strut  
Part c1



Midwest Roadside  
Safety Facility

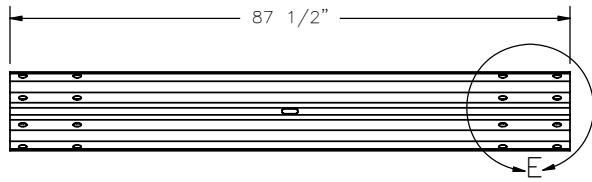
MGS Long Span LSC-2

Ground Strut & Anchor  
Bracket Details

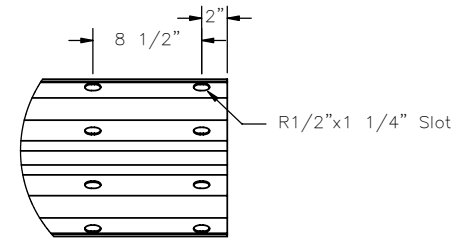
DWG. NAME.  
MGS\_Longspan\_LSC-2\_R2

SCALE: None  
UNITS: Inches

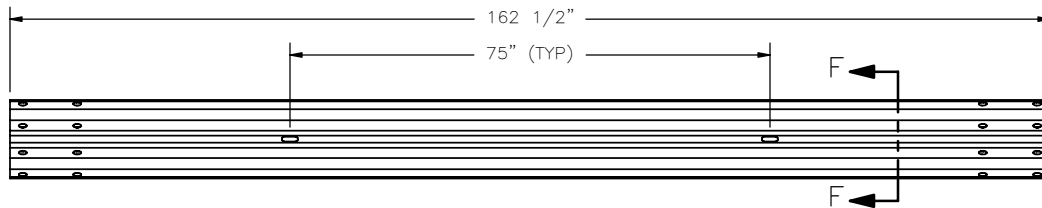
SHEET:  
9 of 10  
DATE:  
05/23/2006  
DRAWN BY:  
GEP  
REV. BY:  
KAP/CME



6'-3" W-Beam Section, 12 gauge



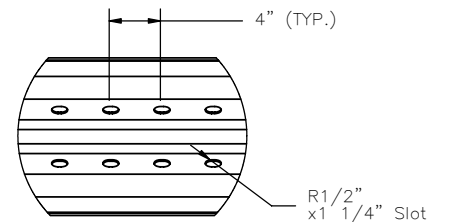
DETAIL E  
SCALE 1 : 15



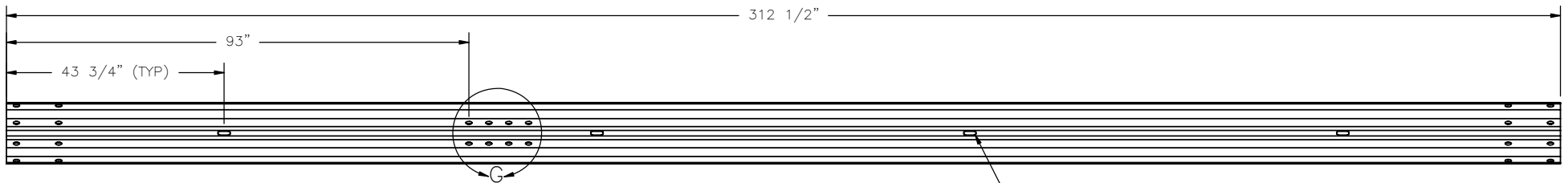
12'-6" W-Beam Section, 12 gauge



SECTION F-F



DETAIL G  
SCALE 1 : 15



25' W-Beam Section, 12 gauge, End Section



Midwest Roadside  
Safety Facility

MGS Long Span LSC-2  
Rail Section Details

DWG. NAME:  
MGS\_Longspan\_LSC-2\_R2

SCALE: None  
UNITS: Inches

SHEET:  
10 of 10  
DATE:  
05/23/2006  
DRAWN BY:  
GEP  
REV. BY:  
KAP/CME