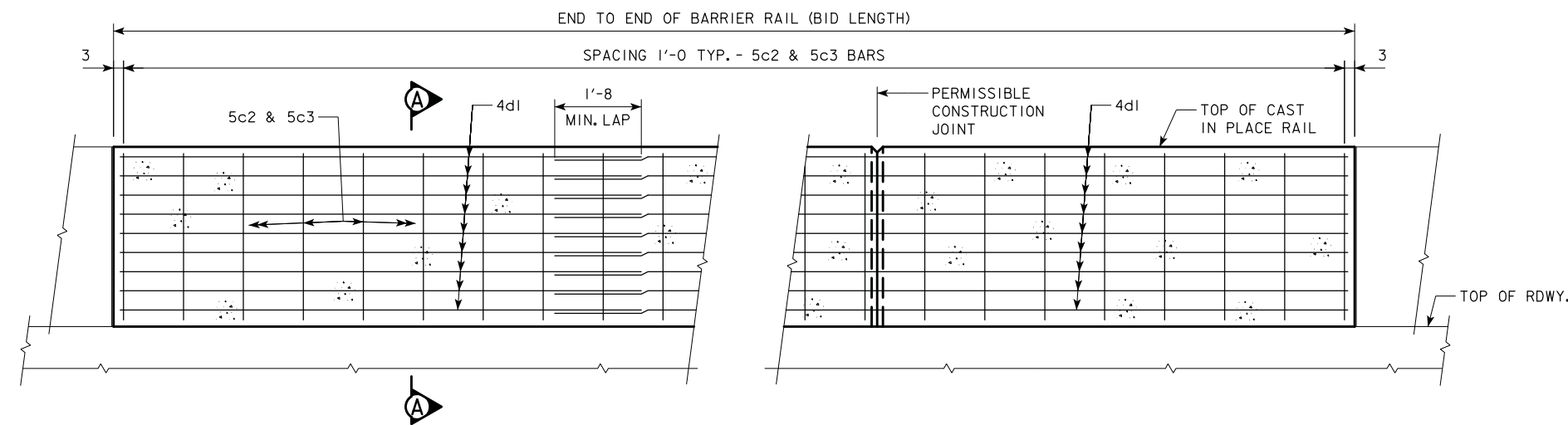
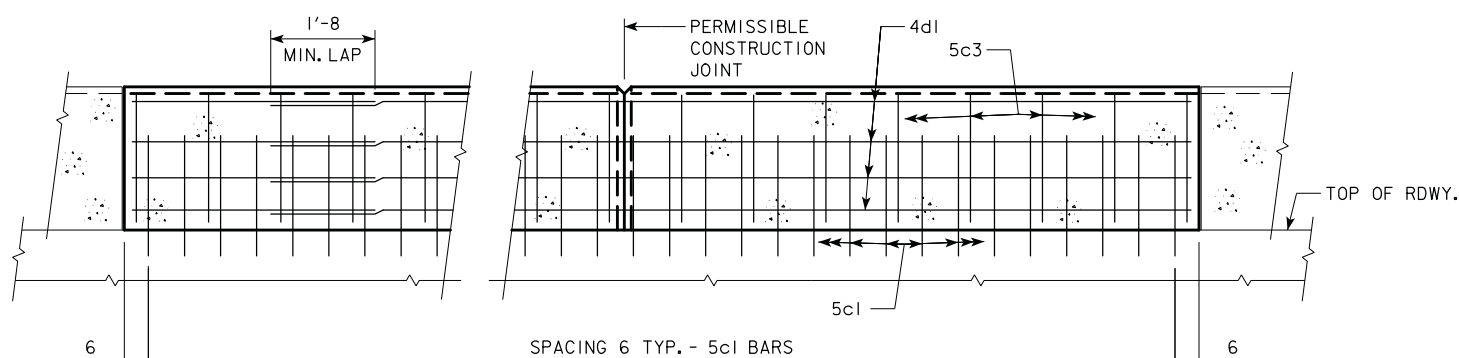
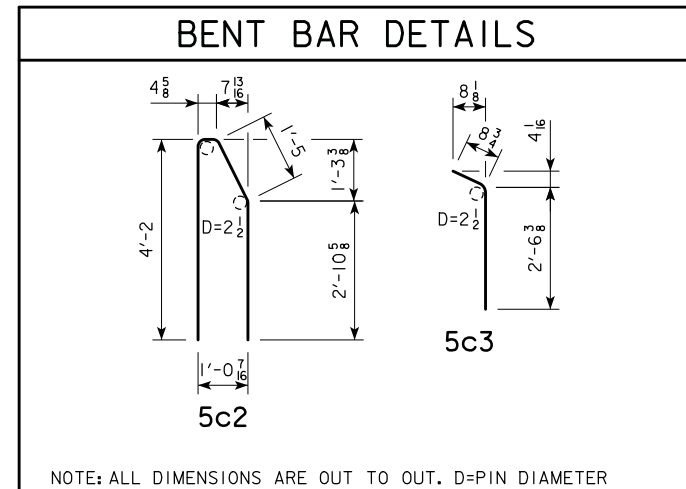


PLAN VIEW

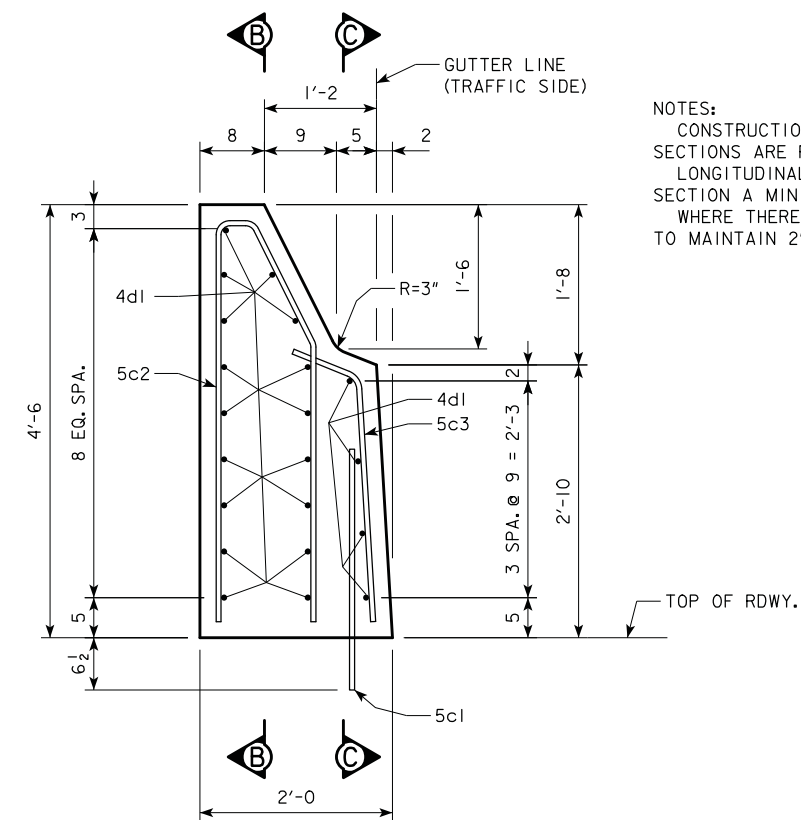
EPOXY REINF. BAR LIST - RAIL PER FT.					
BAR	LOCATION	SHAPE	NO.	LENGTH	WEIGHT
5c1	DOWEL BAR	—	2	2'-6	5
5c2	RAIL, VERTICAL	U	1	8'-10	9
5c3	RAIL, VERTICAL	J	1	3'-3	1
4d1	RAIL, LONGITUDINAL	—	21	1'-0	14
TOTAL (LBS) PER LINEAL FOOT					29



SECTION B-B 54" HALF SECTION BARRIER RAIL



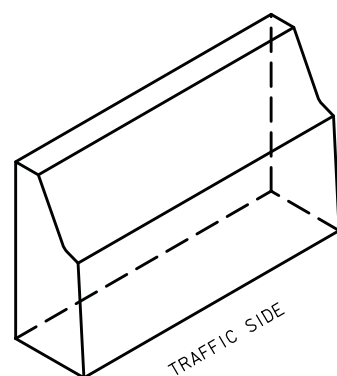
SECTION C-C



SECTION A-A  
HALF SECTION BARRIER RAIL  
REINFORCING

CONCRETE QTY. - RAIL PER FT.	
TOTAL CU. YDS. PER LINEAL FOOT	0.2691

NOTES:  
CONSTRUCTION JOINTS SHALL BE PLACED AS NEEDED. WHERE ABUTTING SECTIONS ARE PLACED AS SEPARATE POURS, A BUTT JOINT MAY BE USED. LONGITUDINAL REINFORCEMENT SHALL BE EXTENDED INTO THE ABUTTING SECTION A MINIMUM OF 1'-10 SPANNING THE BUTT JOINT. WHERE THERE IS A DRAIN SLOT ADJUST DOWEL AND VERTICAL REINFORCING TO MAINTAIN 2" CLEAR FROM EDGE OF CONCRETE.



VIEW OF HALF SECTION  
BARRIER RAIL

54" CONCRETE BARRIER RAIL  
(#5 - 54" HALF SECTION)  
MEDIAN BARRIER RAIL