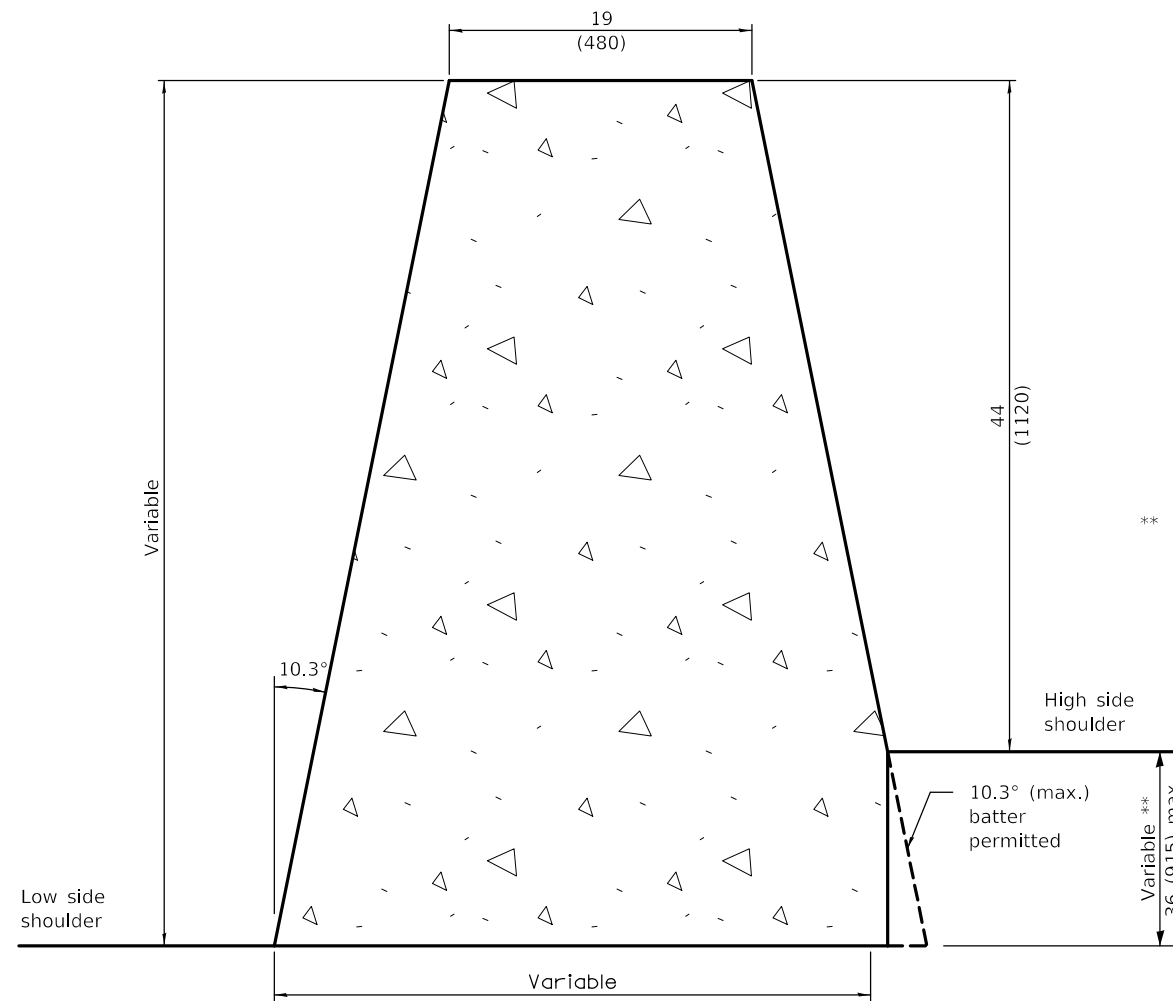
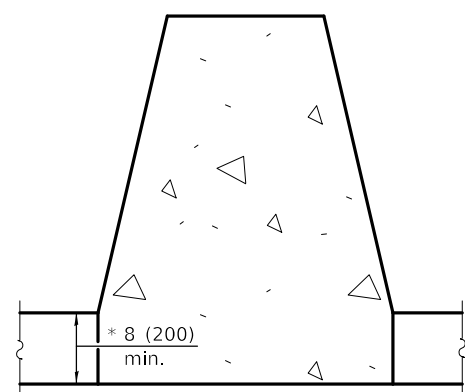


TYPICAL CROSS-SECTION



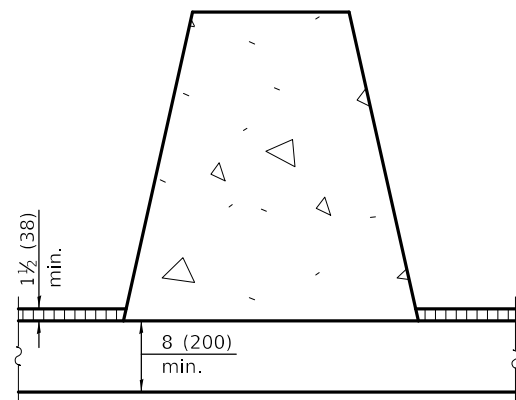
VARIABLE CROSS-SECTION

** When this dimension exceeds 12 (300), the barrier may be cast in two pours. No. 6 x 12 (No. 19 x 300) tie bars at 30 (760) centers, or a suitable keyway, shall be used between pours.

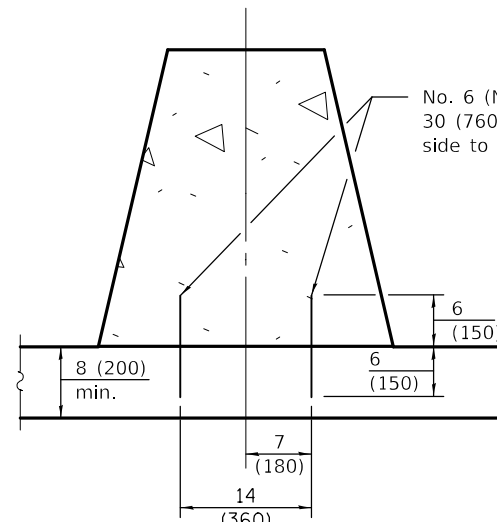


NEW MONOLITHIC PCC BASE

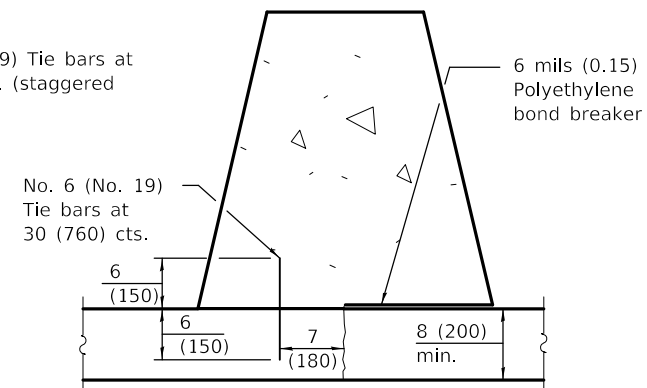
* This dimension shall be 10 (250) minimum when the barrier is confined by earth.



NEW OR EXISTING BIT./PCC BASE WITH OVERLAY CONFINEMENT



NEW OR EXISTING PCC BASE



EXISTING PCC BASE WITH LONGITUDINAL JOINT

ANCHORING METHODS

GENERAL NOTES

The Variable Cross-Section shall be used when there is a difference in elevation between the two sides of the barrier.

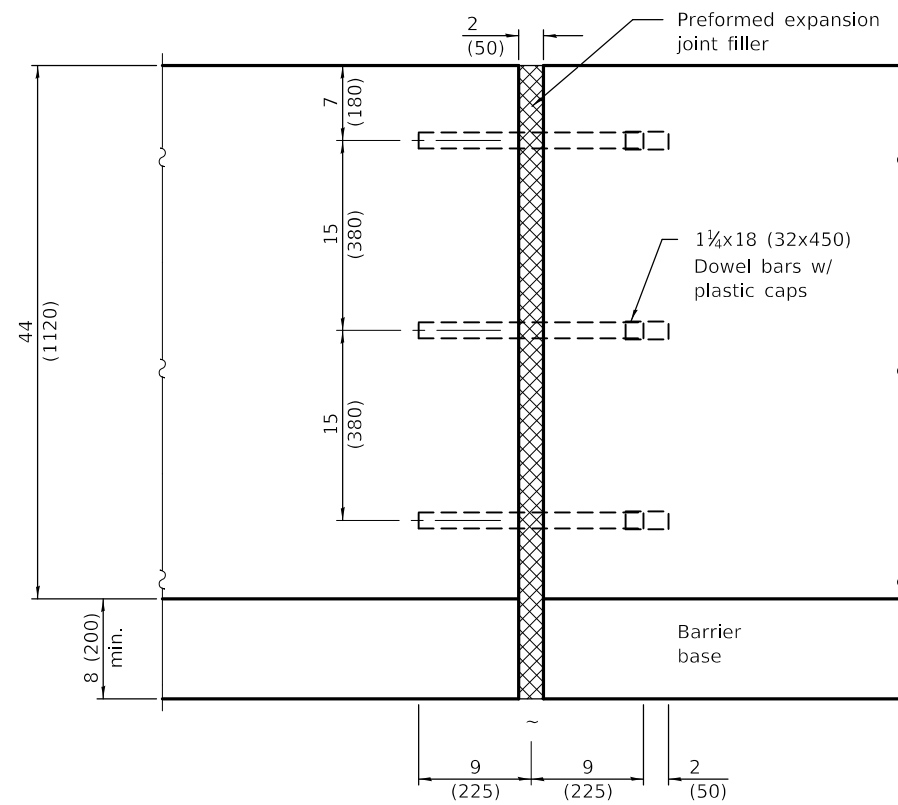
See detail of "Light Pole Foundation with 44 in. Concrete Barrier" for additional light pole foundation details when required.

All dimensions are in inches (millimeters) unless otherwise shown.

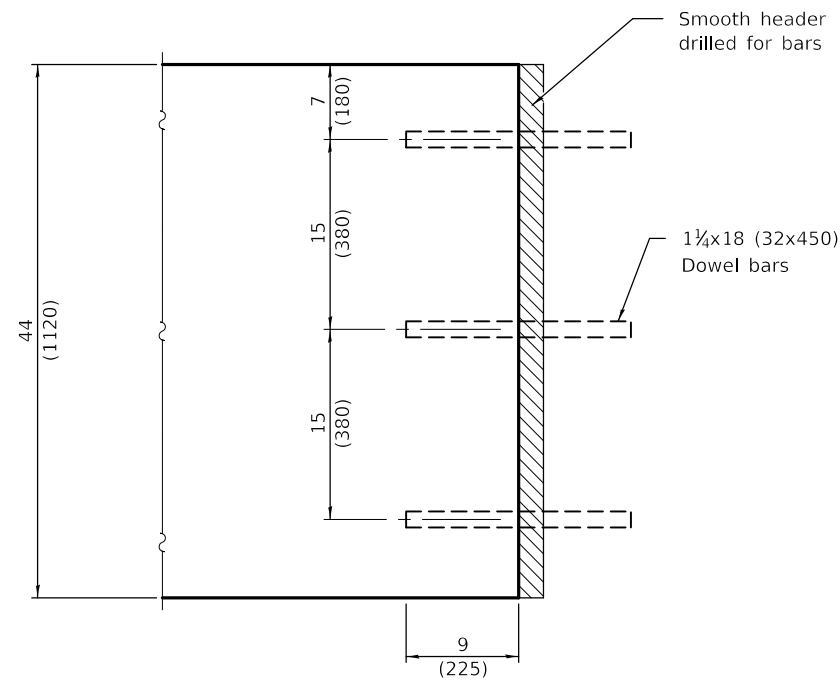
**CONCRETE BARRIER,
DOUBLE FACE,
44 in. (1120 mm) HEIGHT**

(Sheet 1 of 2)

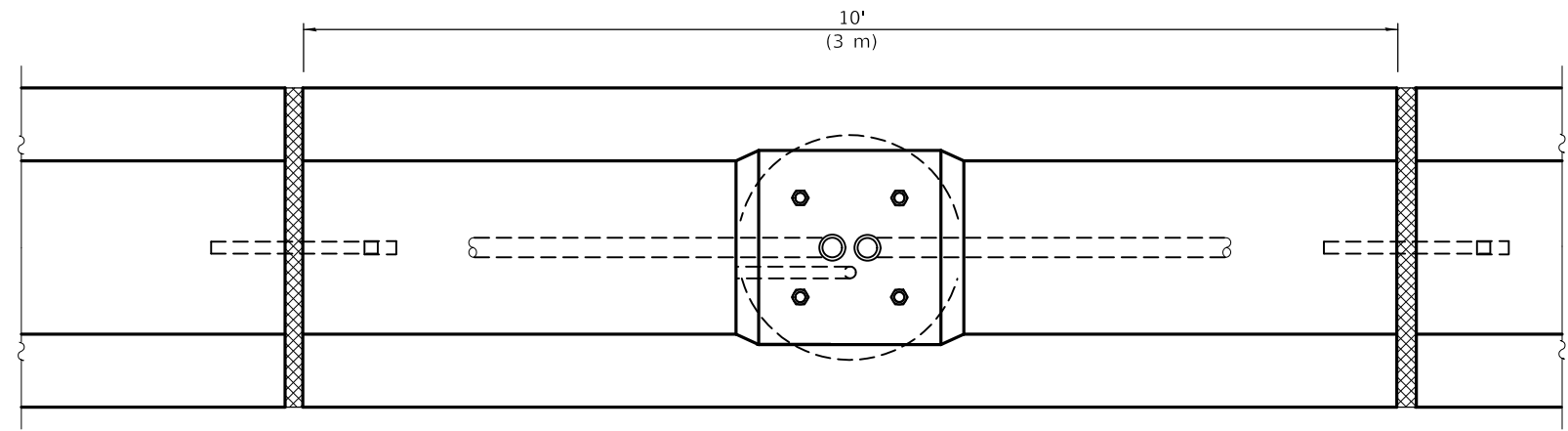
DETAIL



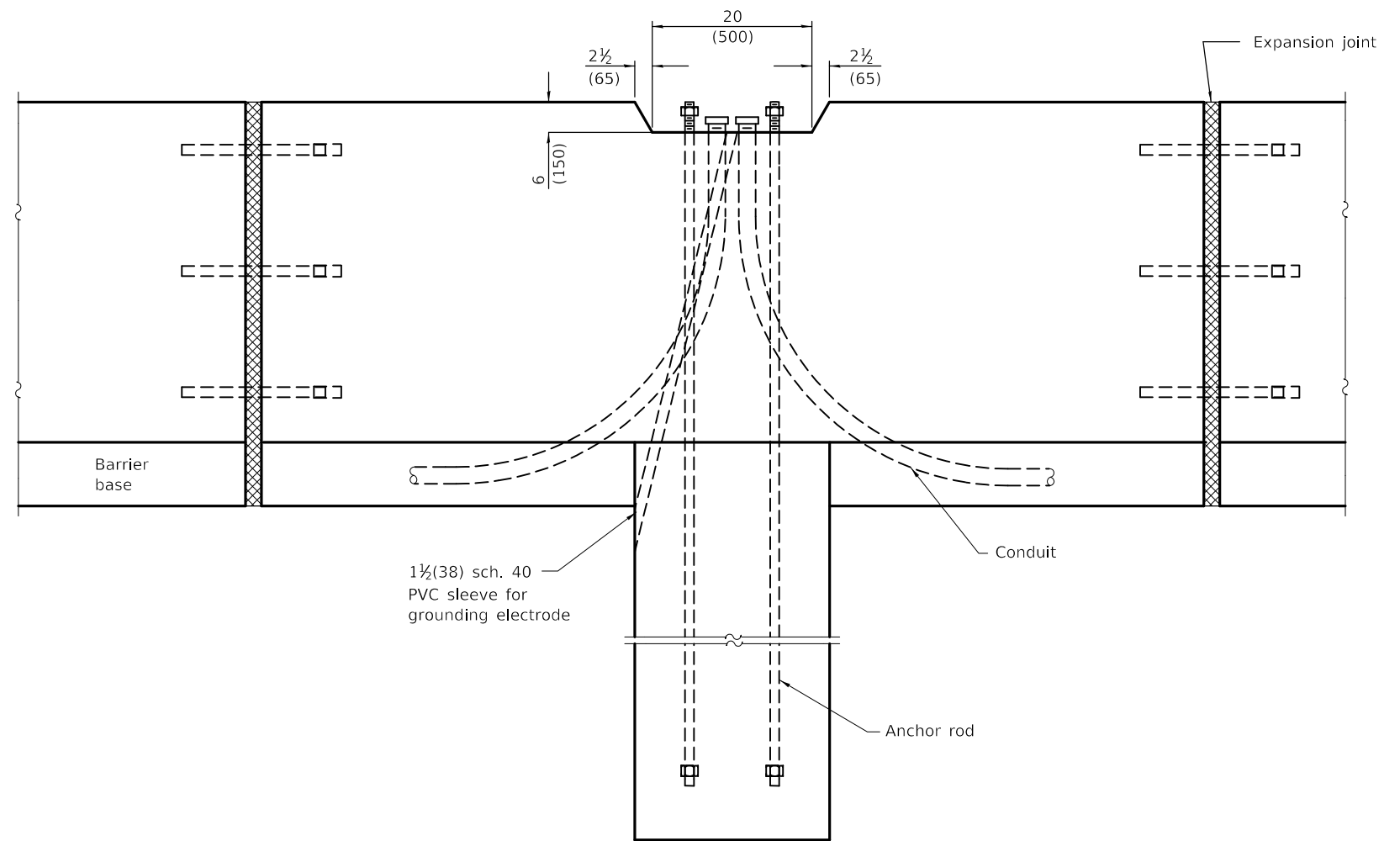
EXPANSION JOINT



CONSTRUCTION JOINT



PLAN AT LIGHTING FOUNDATION



ELEVATION AT LIGHTING FOUNDATION

**CONCRETE BARRIER,
DOUBLE FACE,
44 in. (1120 mm) HEIGHT**

(Sheet 2 of 2)

DETAIL