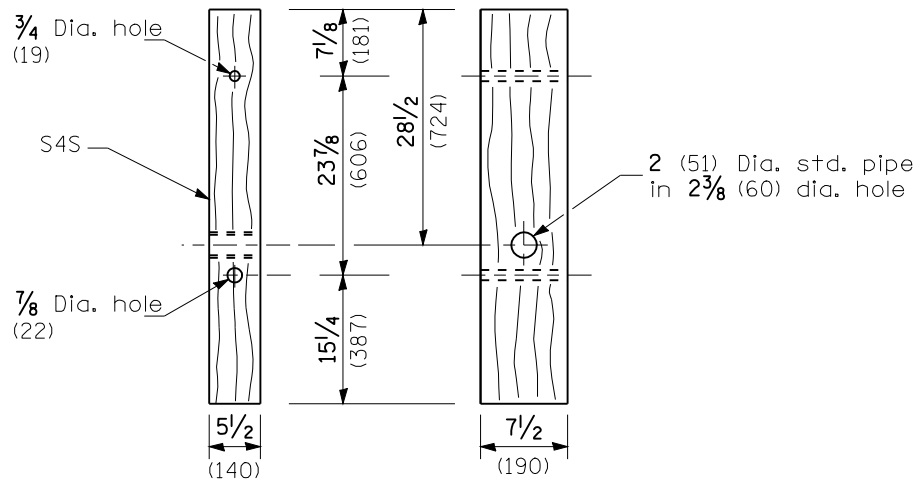
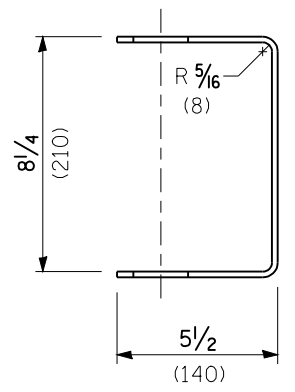


**BEARING PLATE K**



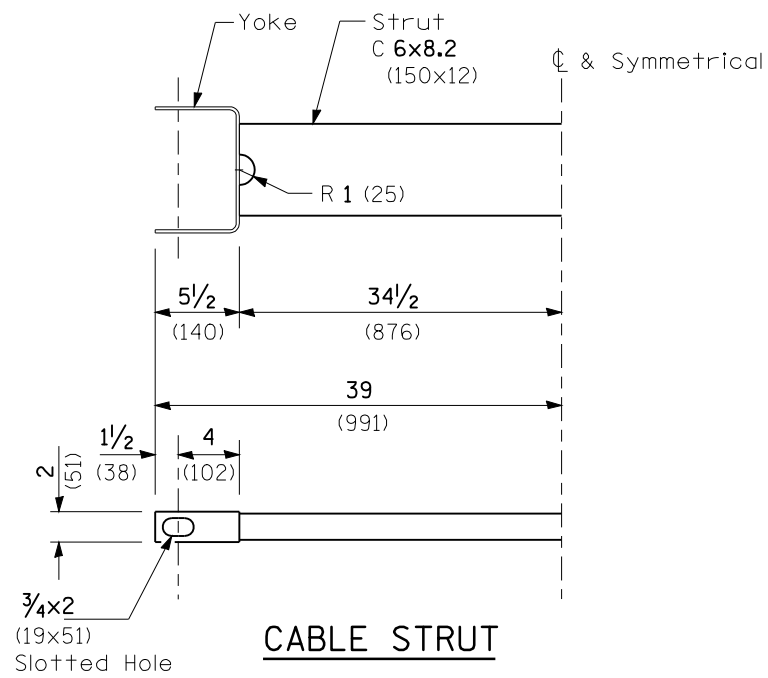
**FRONT SIDE**

**WOOD POST**

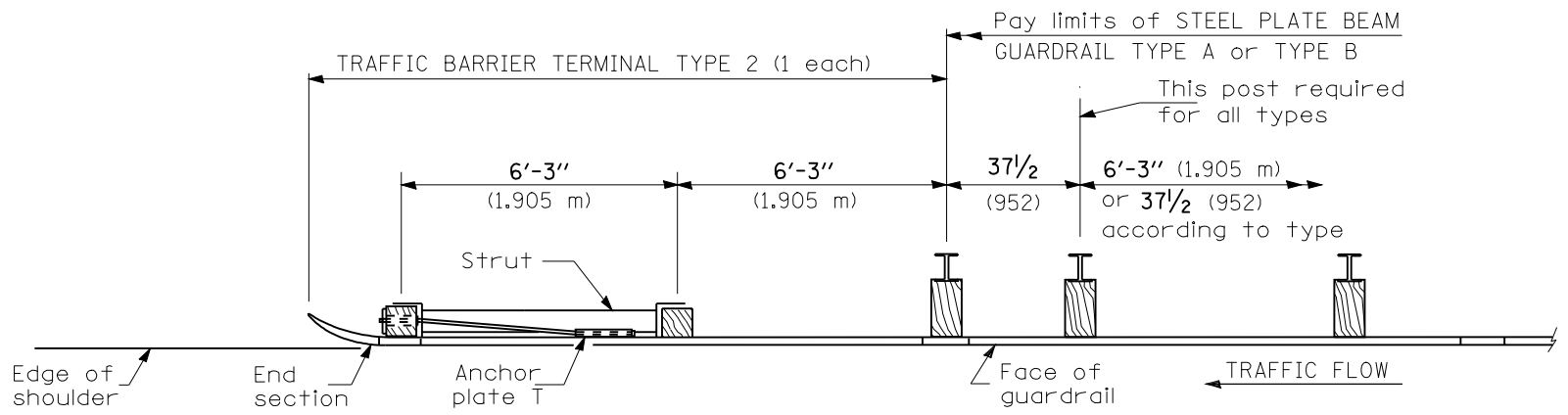


**YOKE**

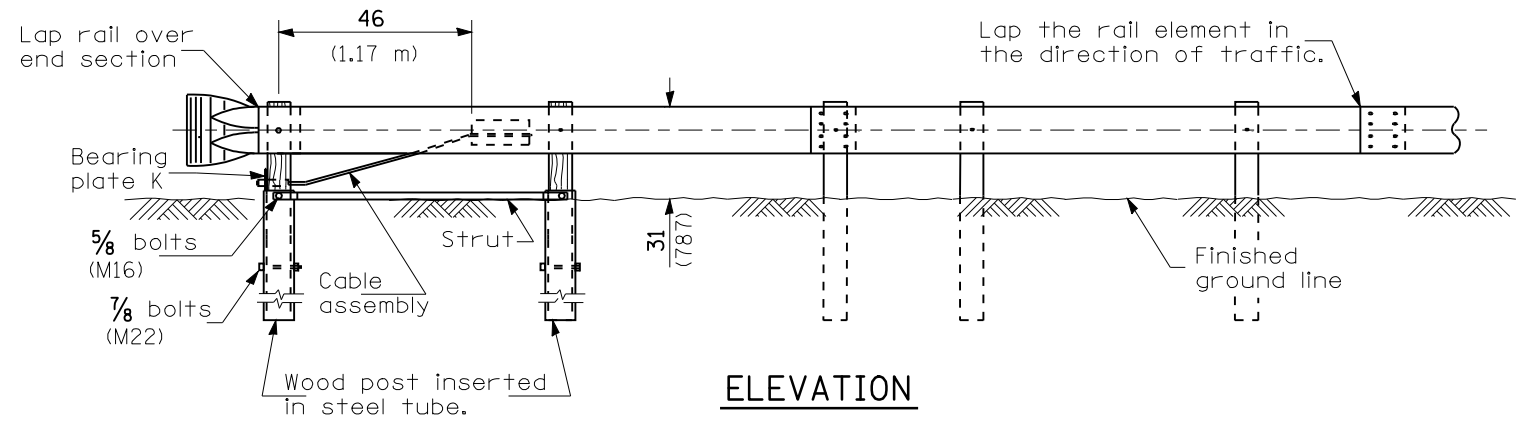
3/16 (5) thick steel



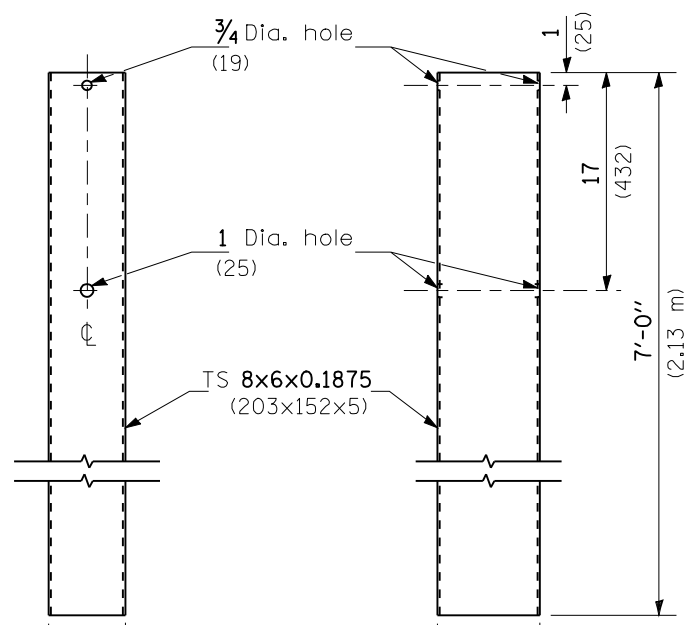
**CABLE STRUT**



**PLAN**



**ELEVATION**



**FRONT**

**SIDE**

**STEEL TUBE**

**GENERAL NOTES**

See Standard 630001 for details of guardrail not shown.

The bearing plate K shall be held in position by two eight penny nails driven into the post and bent over the top of the plate.

All dimensions are in inches (millimeters) unless otherwise shown.

DATE	REVISIONS
1-1-10	Corrected hole locations for steel tube, modified steel tube detail.
1-1-09	Changed length of steel tube. Switched units to English (metric).

**TRAFFIC BARRIER TERMINAL, TYPE 2**

**STANDARD 631011-06**

Illinois Department of Transportation  
 PASSED January 1, 2010  
 ENGINEER OF POLICY AND PROCEDURES  
 APPROVED January 1, 2010  
 ENGINEER OF DESIGN AND ENVIRONMENT