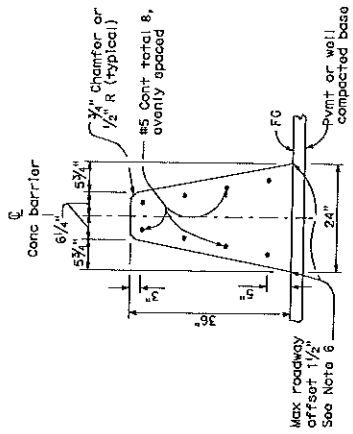
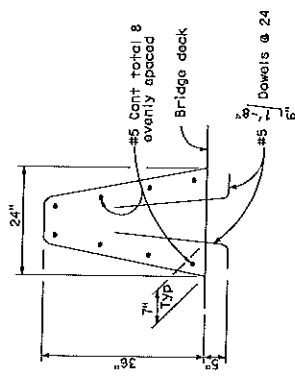


DIST	COUNTY	ROUTE	TOTAL PROJECT NO.	SHEET NO.

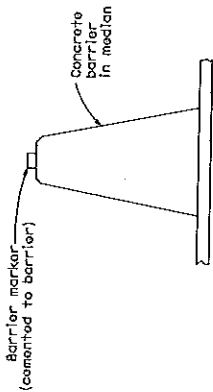
REGISTERED PROFESSIONAL ENGINEER Russell D. Hiest REGISTERED CIVIL ENGINEER No. 10006 State of California License No. C-20200 Exp. 12-31-07 City of Cal. State of Cal.	PLAN APPROVAL DATE The State of California or its officers or agents, shall not be responsible for the accuracy or completeness of information shown on this plan. To get the latest web site go to http://www.dot.ca.gov
--	---



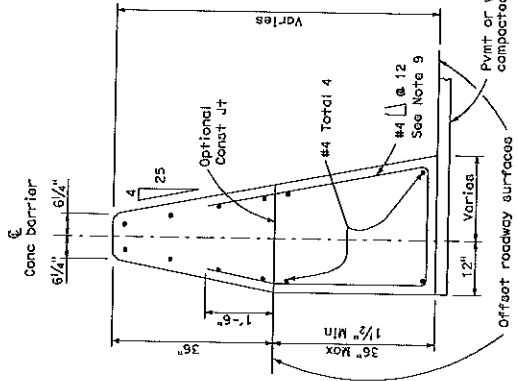
CONCRETE BARRIER TYPE 60



CONCRETE BARRIER TYPE 60A
Details similar to Type 60 except as noted.



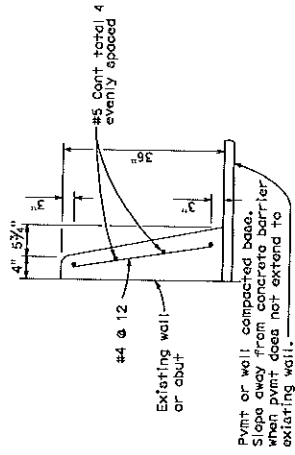
CONCRETE BARRIER TYPE 60 DELINEATION
See Notes 7 and 8



CONCRETE BARRIER TYPE 60C
Details similar to Type 60 except as noted.
concrete barrier and anchor when necessary.

NOTES:

- See Standard Plan A76B for details of Concrete Barrier Type 60 and anchors, connection to structures and transitions to Concrete Barrier Type 50 and Concrete Barrier Type 60S.
- See Standard Plan A76C for Concrete Barrier Type 60 transitions at bridge column and sign pedestals.
- Where glare screen is required on Concrete Barrier Type 60, use Concrete Barrier Type 60C.
- Where the concrete barrier is added to the face of existing concrete structure, match existing weep holes.
- Expansion joints in concrete barrier shall be located at all deck pavement and principal wall joints. Expansion joint filler material shall be the same size as joint or 1/2" minimum.
- Where roadway offset is greater than 1 1/2", see Concrete Barrier Type 60C.
- Barrier delineation to be used when required by the Special Provisions.
- Spacing of barrier markers to match spacing of raised pavement markers on the adjacent median edgeline pavement delineation.
- Reinforcing stirrup not required for roadway offsets less than 1'-0".



CONCRETE BARRIER TYPE 60D

STATE OF CALIFORNIA
DEPARTMENT OF TRANSPORTATION
CONCRETE BARRIER TYPE 60
NO SCALE
A76A

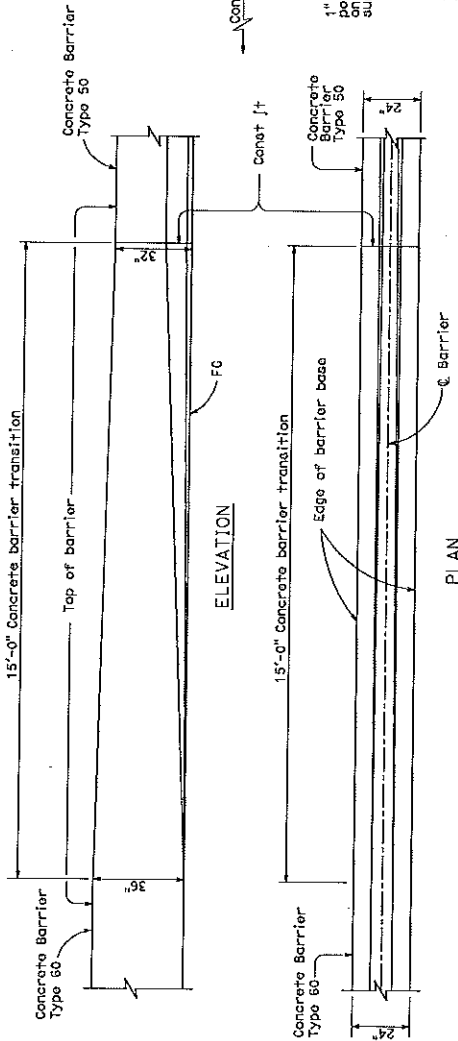
DIST	COUNTY	ROUTE	FED. AID PROJ. NO.	DAILY TOTAL SHEETS

Russell D. Hunt
REGISTERED CIVIL ENGINEER

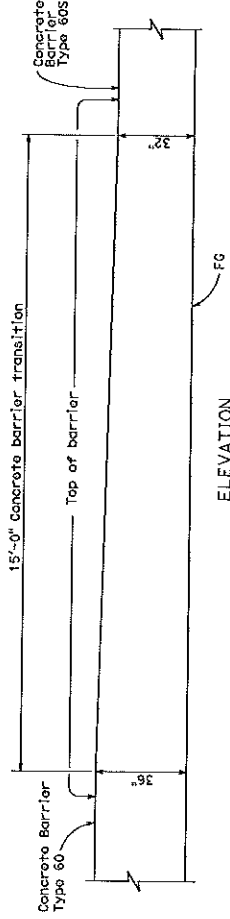
May 1, 2006
PLANS APPROVAL DATE

The State of California or its officers or employees shall not be liable for damages or consequences of any kind arising from the use or operation of any structure or equipment shown on these plans.

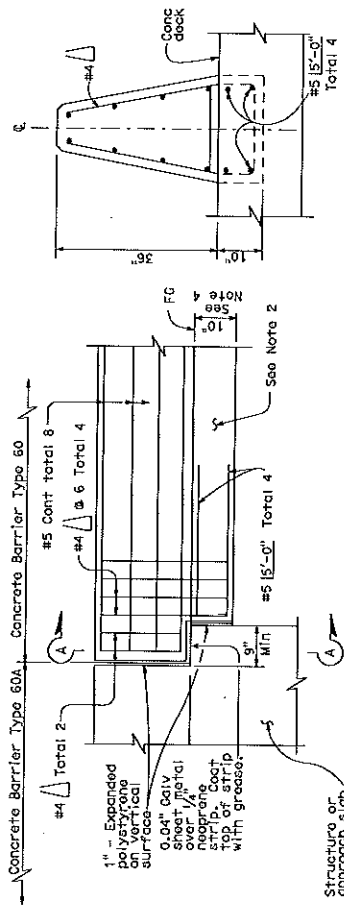
To go to the Caltrans web site, go to <http://www.dir.ca.gov>



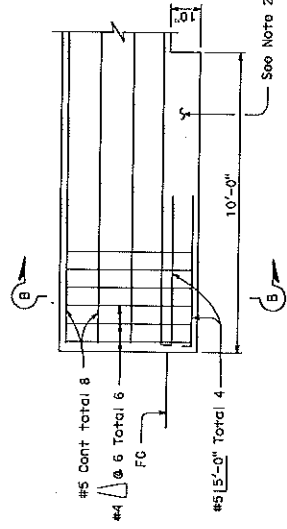
TRANSITION CONCRETE BARRIER TYPE 60 TO CONCRETE BARRIER TYPE 50



TRANSITION CONCRETE BARRIER TYPE 60 TO CONCRETE BARRIER TYPE 60S



CONCRETE BARRIER TYPE 60 CONNECTION TO STRUCTURE



CONCRETE BARRIER TYPE 60 END ANCHORAGE

- NOTES:**
- See Standard Plan A76A for Concrete Barrier Type 60 and Type 60A.
 - Footings shall be reinforced with 2-#6 @ 2'-0". The footing is required at concrete barrier ends and at interruptions in concrete barrier.
 - Expansion joints in concrete barrier shall be located at all deck, pavement and principal wall joints. Expansion joint filler material shall be the same size as joint or 1/2" minimum.
 - 10' concrete barrier footing extends 10' back from structure.
 - See Standard Plan A76B for transition to Triple Beam Barrier.

STATE OF CALIFORNIA
DEPARTMENT OF TRANSPORTATION

CONCRETE BARRIER TYPE 60

NO SCALE

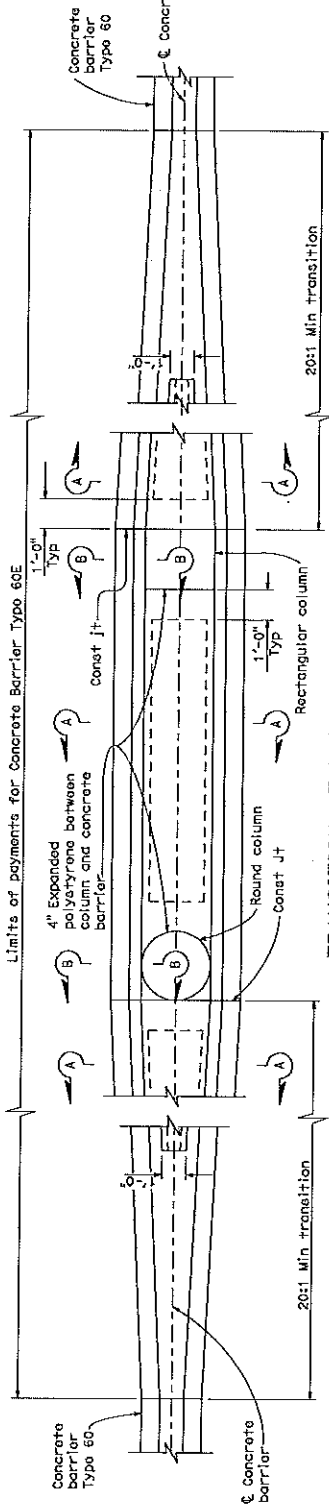
A76B

DIST	COUNTY	ROUTE	POST MILE	TOTAL PROJECT	SHEET NO.	TOTAL SHEETS

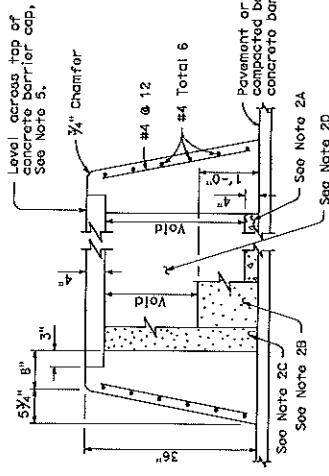
Professional Engineer
 State of California
 License No. 45820
Russell D. Hunt
 REGISTERED CIVIL ENGINEER

MAY 1, 2006
 PLANS APPROVAL DATE
 The State of California or its officers or employees shall not be held responsible for any errors or omissions on these plans.

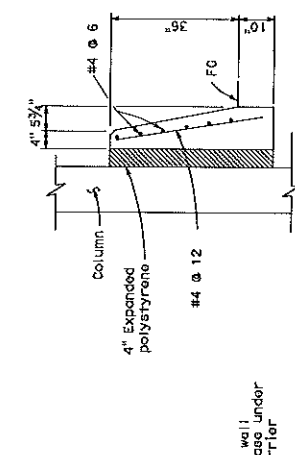
To get to the Callings web site, go to: <http://www.callings.com>



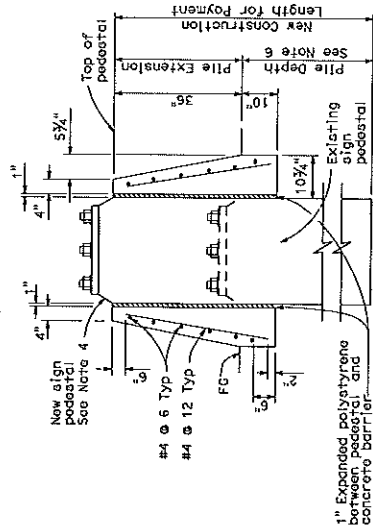
TRANSITION AT BRIDGE COLUMNS
CONCRETE BARRIER TYPE 60E



SECTION A-A



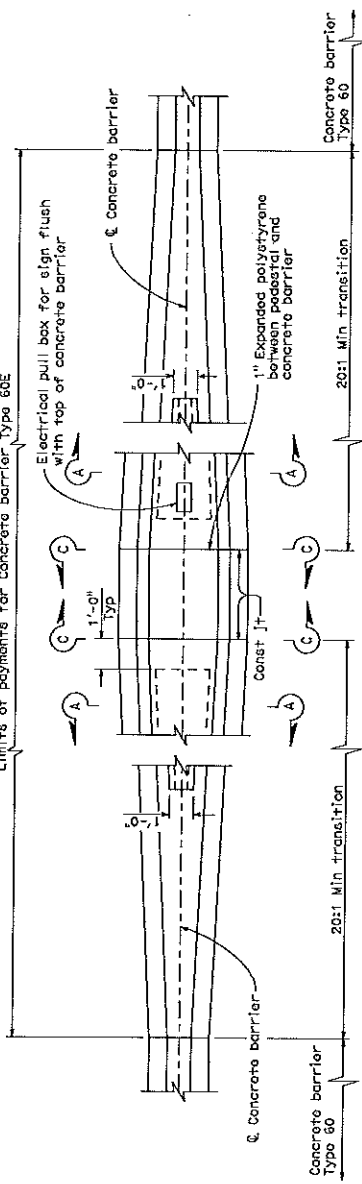
SECTION B-B



SECTION C-C

NOTES:

- See Standard Plan A76A for Concrete Barrier Type 60.
- Contractor options for fill between concrete barrier walls:
 - Place 4" PC or base between concrete barrier walls.
 - Place 1"-0" of granular material at base between walls.
 - Place granular material from base to bottom of 4" cap.
 - Monolithic concrete with foam blockouts is not permitted.
- Reinforcing steel shall extend continuous through construction joints.
- See "Overhead Sign" plans for sign pedestal elevations on new construction.
- Adjust height of concrete barrier wall on low side of offset or super-elevated roadways to provide level grade across top of concrete barrier cap.
- See Overhead Signs Standard Plan Pile Foundation Tables.



TRANSITION AT SIGN PEDESTAL
CONCRETE BARRIER TYPE 60E

STATE OF CALIFORNIA
DEPARTMENT OF TRANSPORTATION

CONCRETE BARRIER TYPE 60E

NO SCALE

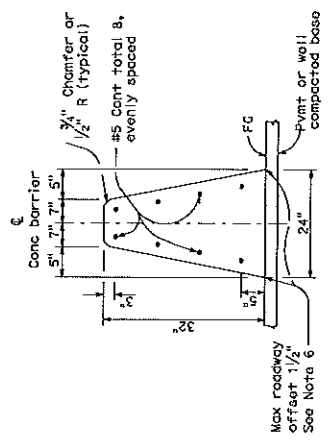
A76C

DIST	COUNTY	ROUTE	POST MILES	SHEET NO.	TOTAL SHEETS

REGISTERED CIVIL ENGINEER
Russell D. Hunt
 No. 55000
 Exp. 5-30-07
 STATE OF CALIFORNIA

MOV. 1, 2006
 PLANS APPROVAL DATE
 The State of California or its officers or agents shall not be responsible for the accuracy or completeness or adequate nature of this plan.

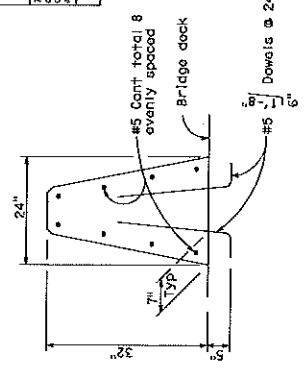
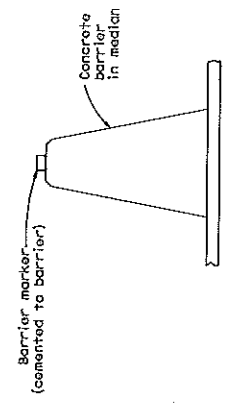
To get to the Office web site go to <http://www.hunt.com>



CONCRETE BARRIER TYPE 60S

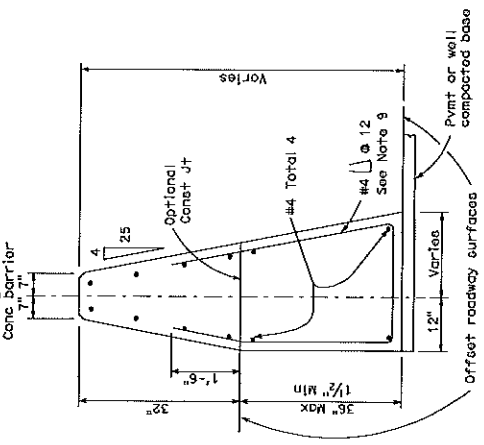
CONCRETE BARRIER TYPE 60S DELINEATION

See Notes 7 and 8



CONCRETE BARRIER TYPE 60SA

Details similar to Type 60S except as noted.



CONCRETE BARRIER TYPE 60SC

Details similar to Type 60S except as noted. Concrete barrier and anchor when necessary.

NOTES:

- See Standard Plan A76H for details of Concrete Barrier Type 60S and anchors, connection to structures and transitions to Concrete Barrier Type 50.
- See Standard Plan A76 for Concrete Barrier Type 60S transitions at bridge column and sign pedestals.
- Where glare screen is required on top of concrete barrier, use Concrete Barrier Type 60C.
- Where the concrete barrier is added to the face of existing concrete structure, match existing weep holes.
- Expansion joints in concrete barrier shall be located at all deck, pavement and principal wall joints. Expansion joint filler material shall be the same size as joint or 1/2" minimum.
- Where roadway offset is greater than 1/2" see Concrete Barrier Type 60SC.
- Barrier delineation to be used when required by the Special Provisions.
- Spacing of barrier markers to match spacing of raised pavement markers on the adjacent median edgeline pavement delineation.
- Reinforcing stirrup not required for roadway offsets less than 1'-0".

STATE OF CALIFORNIA
 DEPARTMENT OF TRANSPORTATION
CONCRETE BARRIER TYPE 60S
 NO SCALE
A76G

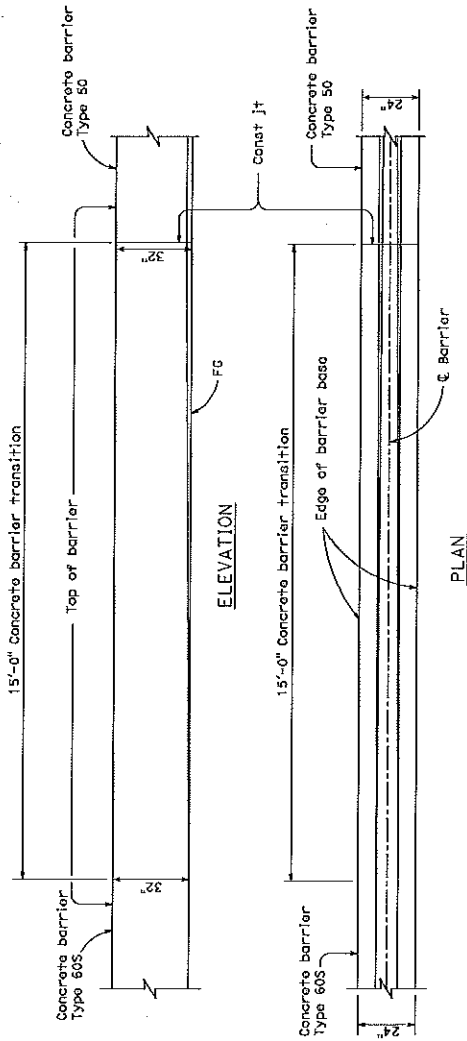
STATE	COUNTY	ROUTE	TOTAL PROJECT	SHEET NO.	TOTAL SHEETS

REGISTERED CIVIL ENGINEER <i>Randall D. Hunt</i>	
M.S.Y. 1, 2006 THE STATE OF CALIFORNIA DEPARTMENT OF TRANSPORTATION DIVISION OF HIGHWAYS DIVISION OF TRANSPORTATION DIVISION OF TRANSPORTATION	PROFESSIONAL ENGINEER No. 52920 Exp. 12-31-07 CIVIL STATE OF CALIF.

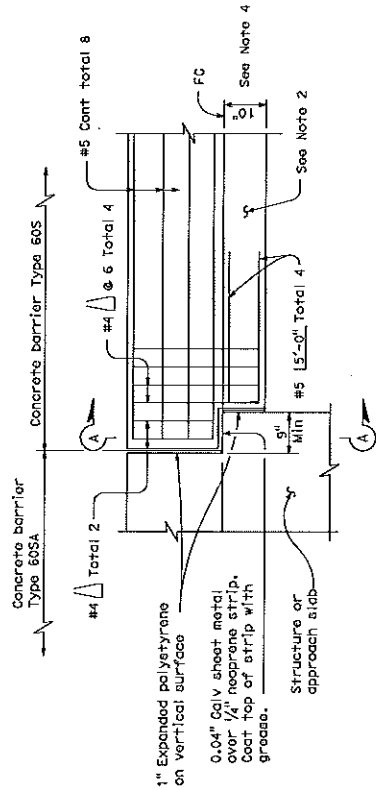
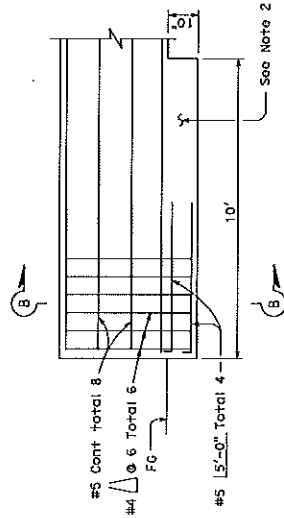
To get the Caltrans web site go to <http://www.caltrans.gov>

NOTES:

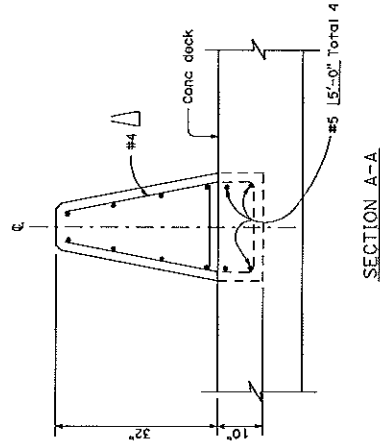
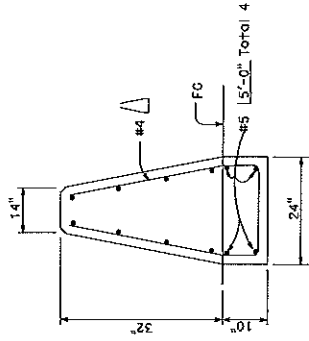
1. See Standard Plan A766 for Concrete Barrier Type 60S and Type 60SA.
2. Footing monolithic or doweled with 2-#8 x 8" @ 2'-0". The footing is required at concrete barrier ends and at interruptions in concrete barrier.
3. Expansion joints in concrete barrier shall be located at all deck, pavement and principal wall joints. Expansion joint filler material shall be the same size as joint or 1/2 minimum.
4. 10" Concrete barrier footing extends 10'-0" back from structure.
5. See Standard Plan A781 for transition to Thrie Beam Barrier.



TRANSITION TYPE 60S CONCRETE BARRIER TO TYPE 50 CONCRETE BARRIER



CONCRETE BARRIER TYPE 60S END ANCHORAGE



CONCRETE BARRIER TYPE 60S CONNECTION TO STRUCTURE

STATE OF CALIFORNIA
DEPARTMENT OF TRANSPORTATION

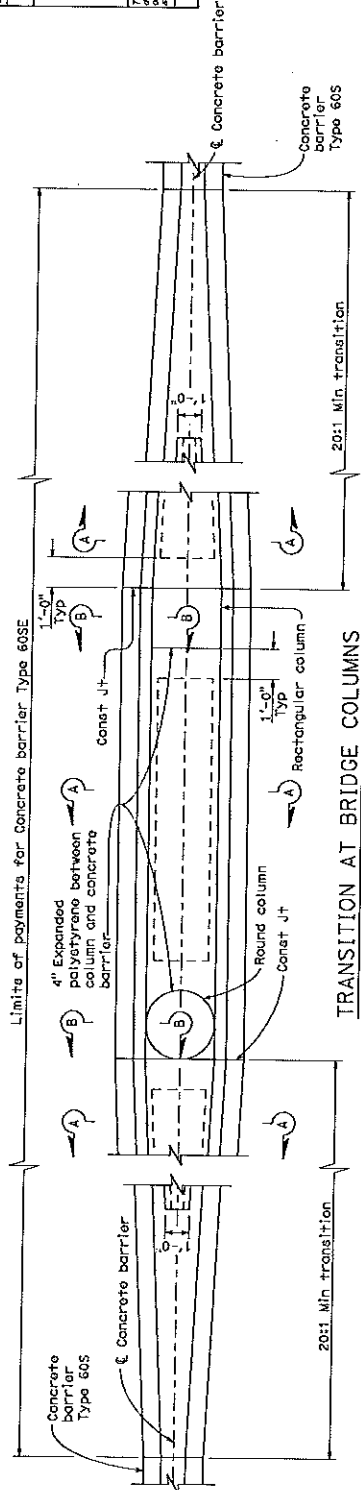
CONCRETE BARRIER TYPE 60S

NO SCALE

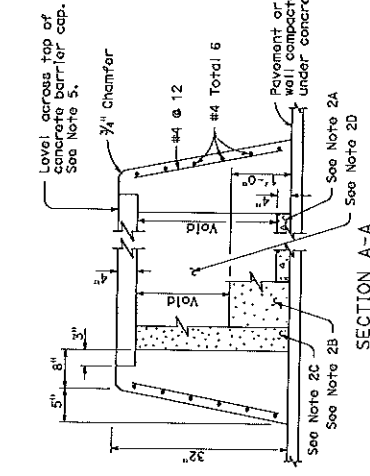
A76H

DIST. COUNTY	ROUTE	POST MILES TOTAL PROJECT	SHEET NO. TOTAL SHEETS

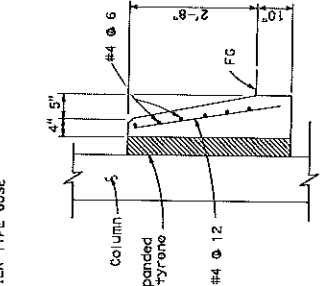
REGISTERED CIVIL ENGINEER
Donald D. Hiett
 No. 55920
 CIVIL
 State of California
 May 1, 2006
 PLANS APPROVAL DATE
 I, the State of California, by its officers or agents, hereby certify that the above-named engineer is duly licensed and qualified to prepare and supervise the construction of the works shown on these plans.
 To get the California web site go to <http://www.ctbd.gov>



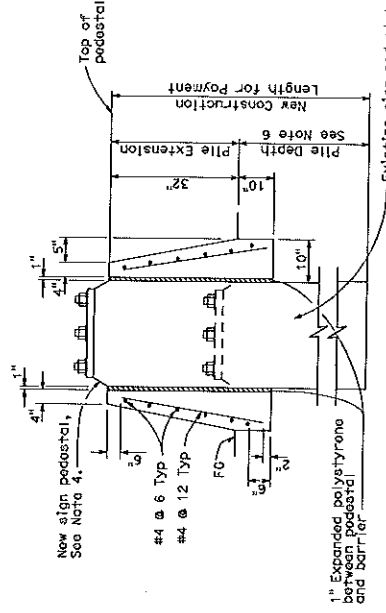
TRANSITION AT BRIDGE COLUMNS
 CONCRETE BARRIER TYPE 60SE



SECTION A-A

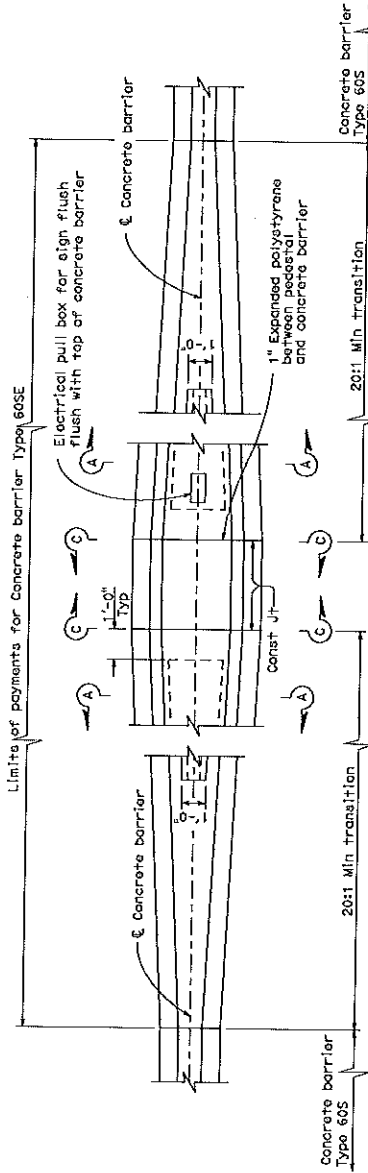


SECTION B-B



SECTION C-C

- NOTES:**
- See Standard Plan A76G for Concrete Barrier Type 60S.
 - Contractor options for fill between concrete barrier walls:
 - Place 4" PCC at base between concrete barrier walls.
 - Place 1'-0" of granular material at base between walls.
 - Place granular material from base to bottom of 4" cap.
 - Manolithic concrete with foam blockouts is not permitted.
 - Reinforcing steel shall extend continuous through construction joints.
 - See "Overhead Sign" plans for sign pedestal elevations on new construction.
 - Adjust height of concrete barrier wall on low side of offset or super-elevated roadways to provide level grade across top of concrete barrier cap.
 - See Overhead Signs Standard Plan Pile Foundation Tables.



TRANSITION AT SIGN PEDESTAL
 CONCRETE BARRIER TYPE 60SE

STATE OF CALIFORNIA
 DEPARTMENT OF TRANSPORTATION

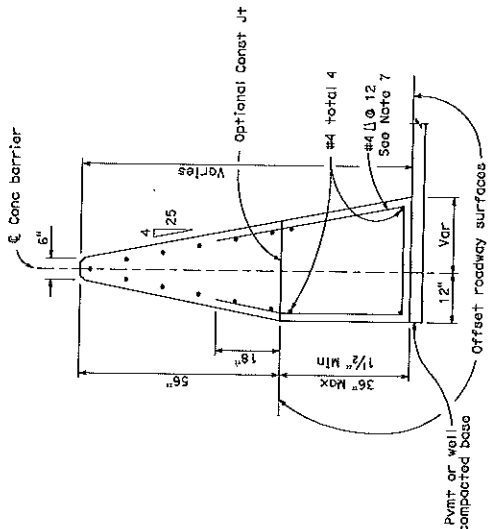
CONCRETE BARRIER TYPE 60SE
 NO SCALE
A76I

DIST	COUNTY	ROUTE	POST MILEAGE TOTAL PROJECT	SHEET NO. OF TOTAL SHEETS

Russell D. Hunt
 REGISTERED CIVIL ENGINEER
 No. 5-35-37
 Exp. 5-31-07
 STATE OF CALIFORNIA
 PROFESSIONAL ENGINEER

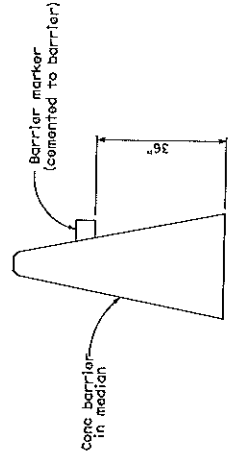
MOY 1, 2006
 PLANS APPROVAL DATE
 The State of California or its officers or employees shall not be held responsible for the accuracy or completeness of drawings unless it is shown otherwise.

To get the California web site go to <http://www.electrical.org>



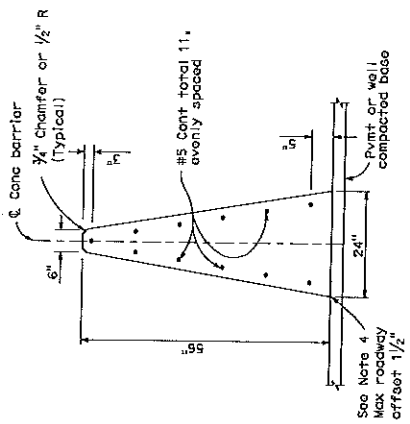
CONCRETE BARRIER TYPE 60CC

Details similar to Type 60C except as noted.



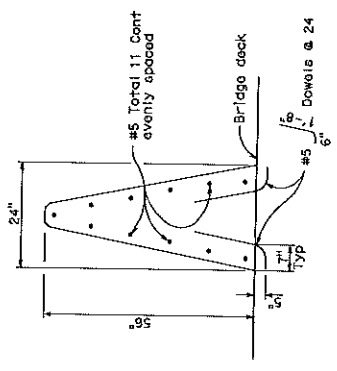
CONCRETE BARRIER TYPE 60G DELINEATION

See Notes 5 and 6



CONCRETE BARRIER TYPE 60G

(Monolithic concrete glare screen/barrier)



CONCRETE BARRIER TYPE 60GA

Details similar to Type 60G except as noted.

NOTES:

- See Standard Plan A76E for details of Concrete Barrier Type 60C and anchors, connection to structures and transitions to Concrete Barrier Type 60.
- See Standard Plan A76F for Concrete Barrier Type 60C transitions at bridge column and sign pedestals.
- Expansion joints in concrete barrier shall be located at all deck, pavement and principal wall joints. Expansion joint filler material shall be the same size as joint or 1/2" minimum.
- Where roadway offset is greater than 1 1/2", see Concrete Barrier Type 60CC.
- Barrier delineation to be used when required by the Special Provisions.
- Spacing of barrier markers to match spacing of raised pavement markers on the adjacent median edgeline pavement delineation.
- Reinforcing stirrup not required for offsets less than 1'-0".

STATE OF CALIFORNIA
 DEPARTMENT OF TRANSPORTATION
CONCRETE BARRIER TYPE 60G
 NO SCALE

A76D

DIST	COUNTY	ROUTE	POST MILES TOTAL	SHEET TOTAL

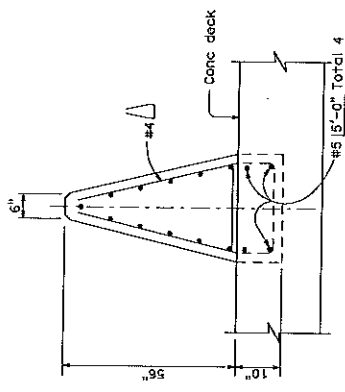
REGISTERED CIVIL ENGINEER Russell D. Hiett No. 52820 State of California	PROFESSIONAL ENGINEER & ARCHITECT Russell D. Hiett No. 52820 State of California
---	---

MAY 1, 2006
 PLANS APPROVAL DATE
 The State of California or its officers or employees shall not be responsible for the accuracy or completeness of information on these plans.

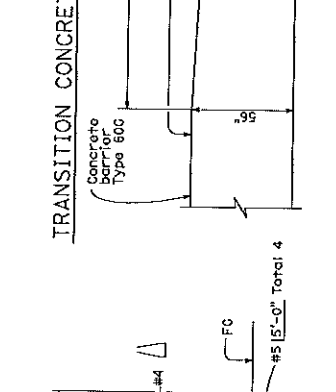
To be set in its office and file in the file #A76E/46462626

NOTES:

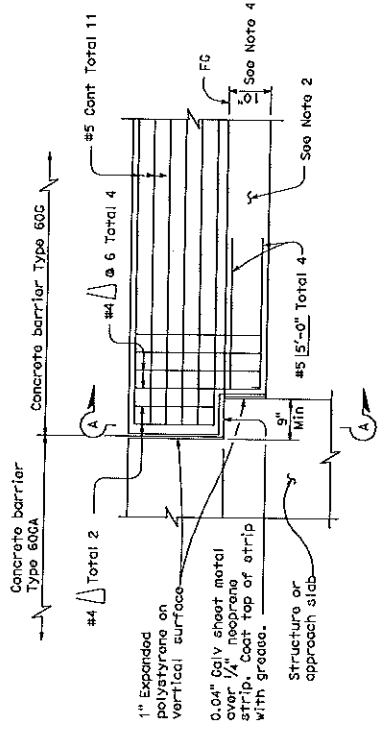
- See Standard Plan A76D for Concrete Barrier Type 60G and Type 60GA.
- Footings may be placed or covered with 2-#8 x 8" @ 2'-0". The footing is required at concrete barrier ends and at interruptions in concrete barrier.
- Expansion joints in concrete barrier shall be located at all deck, pavement and principal wall joints. Expansion joint filler material shall be the same size as joint or 1/2" minimum.
- 10" Concrete barrier footing extends 10' back from structure.
- See Standard Plan A781 for transition to Thrie Beam Barrier.



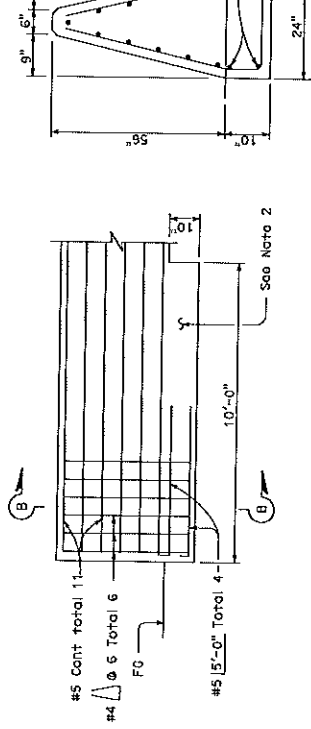
SECTION A-A



SECTION B-B



CONCRETE BARRIER TYPE 60G CONNECTION TO STRUCTURE



CONCRETE BARRIER TYPE 60G END ANCHORAGE

TRANSITION CONCRETE BARRIER TYPE 60G TO CONCRETE BARRIER TYPE 60

TRANSITION CONCRETE BARRIER TYPE 60G TO CONCRETE BARRIER TYPE 60S

STATE OF CALIFORNIA
DEPARTMENT OF TRANSPORTATION

CONCRETE BARRIER TYPE 60G

NO SCALE

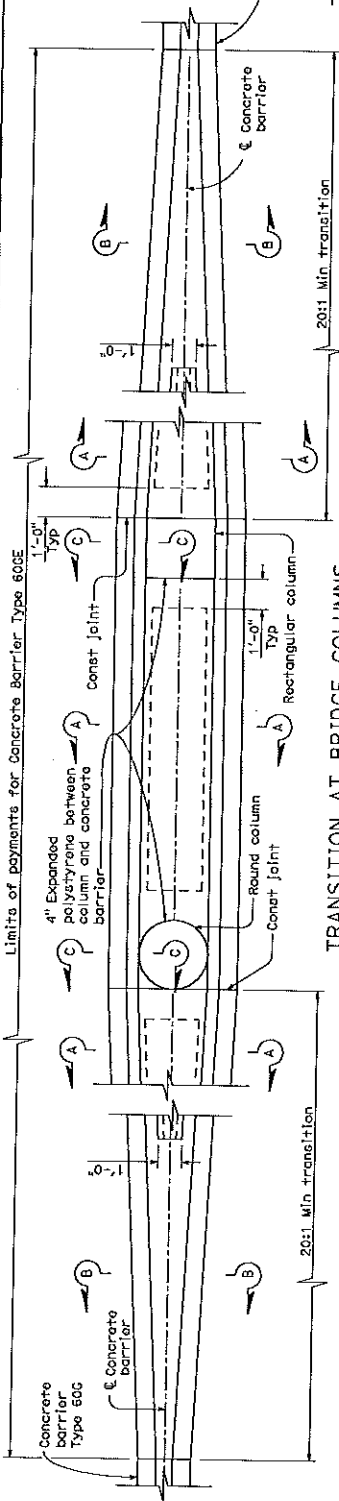
A76E

COUNTY	ROUTE	POST MILES	TOTAL PROJECT	PROJECT NO.	DATE

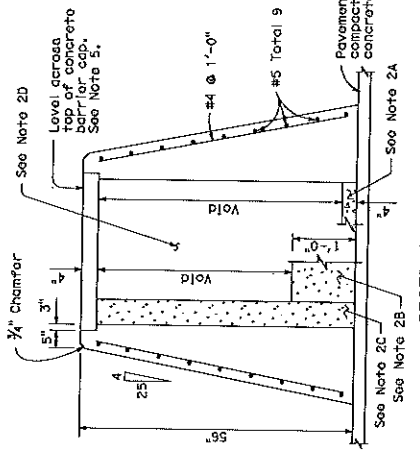
Professional Engineer & Highway Designer
Richard D. Hunt
 REGISTERED CIVIL ENGINEER
 No. 55800
 Exp. 12-31-07
 State of California

MOVED TO: 11/1/06
 PLANS APPROVAL DATE
 The State of California, or its officers or employees, shall not be responsible for the accuracy or completeness of any information or data submitted by or for the contractor.

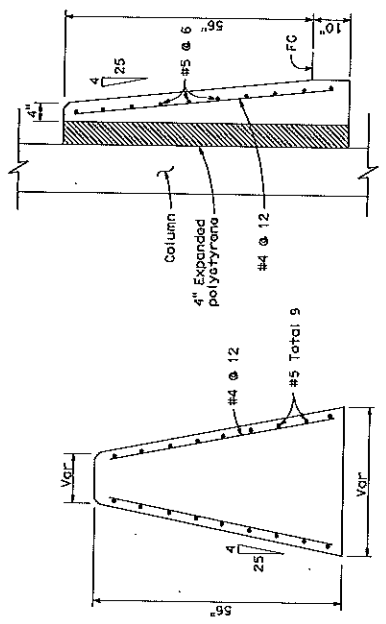
To refer to the Contract see also the <http://www.fdot.com>



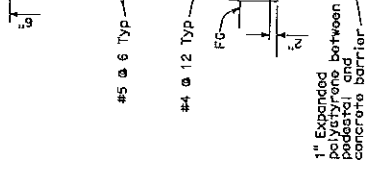
TRANSITION AT BRIDGE COLUMNS
CONCRETE BARRIER TYPE 606



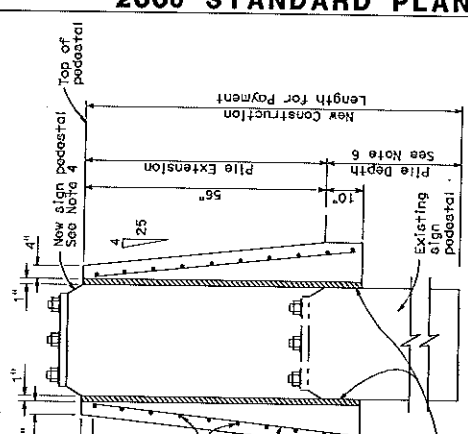
SECTION A-A



SECTION B-B

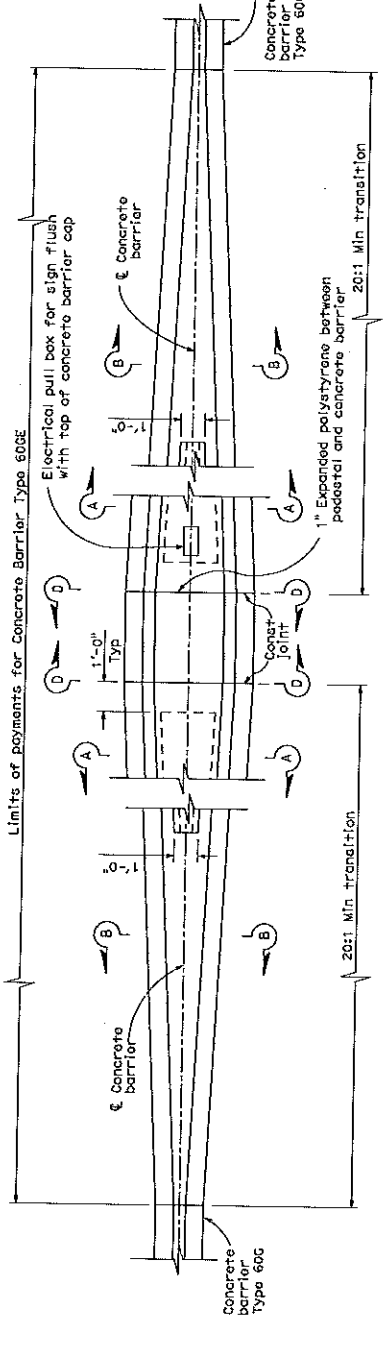


SECTION C-C



SECTION D-D

- NOTES:**
- See Standard Plan A760 for Concrete Barrier Type 606.
 - Contractor options for fill between concrete barrier walls:
 - A. Place PCC at base between concrete barrier walls.
 - B. Place 4'-0" or granular material at base between walls.
 - C. Place 4'-0" or granular material from base to bottom of 4" cap.
 - D. Monolithic concrete with foam blockouts is not permitted.
 - Reinforcing steel shall extend continuous through construction joints.
 - See "Overhead Sign" plans for sign pedestal elevations on new construction.
 - Adjust height of concrete barrier wall on low side of offset or super-elevated roadway to provide level grade across top of concrete barrier cap.
 - See Overhead Signs Standard Plan Pile Foundation Tables.



TRANSITION AT SIGN PEDESTAL
CONCRETE BARRIER TYPE 606

STATE OF CALIFORNIA
DEPARTMENT OF TRANSPORTATION

CONCRETE BARRIER TYPE 606

NO SCALE

A76F