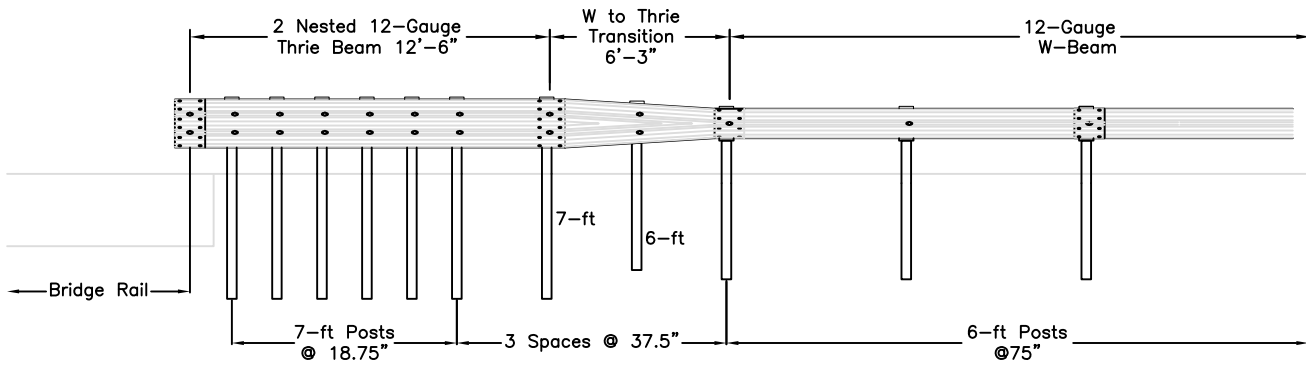
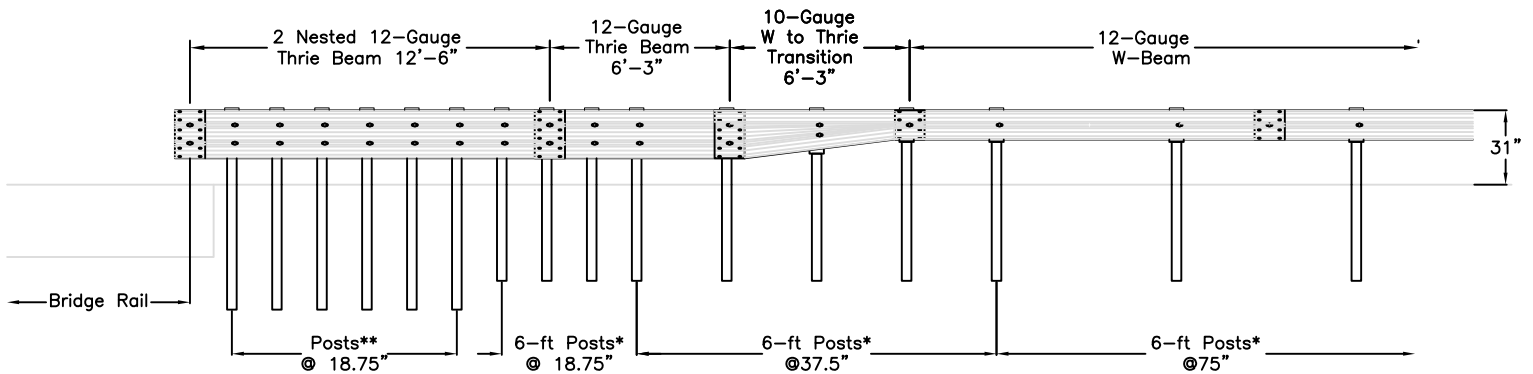


Iowa Transition



Iowa Adapted Transition



- * Embedment of 6-ft Posts = 40" (MGS)
- ** 6.5-ft Steel Posts Emb. = 49" (As Per Test No. ITNJ-2)
- ** 7-ft Wood Posts Emb. = 52" (As Per Test No. ITNJ-4)

MwRSF MGS Transition

