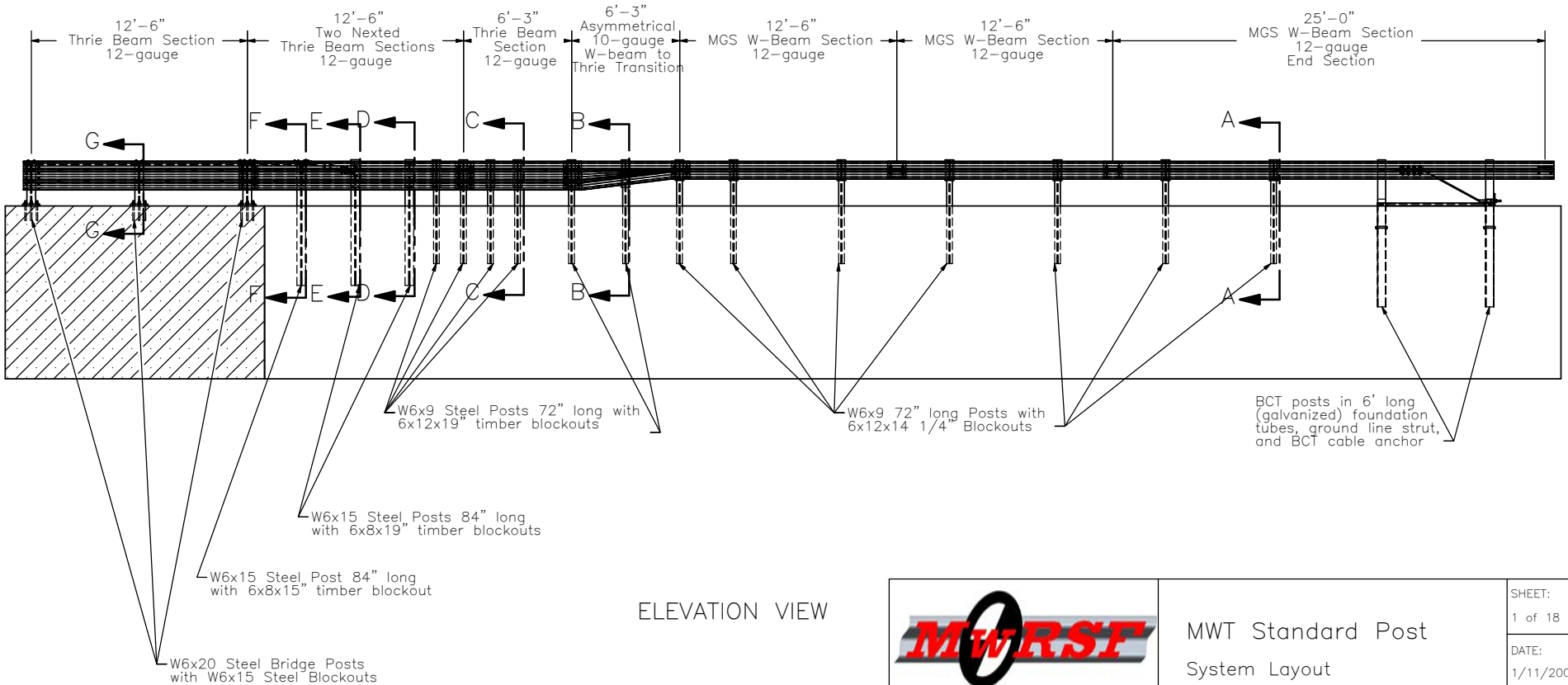


PLAN VIEW



ELEVATION VIEW



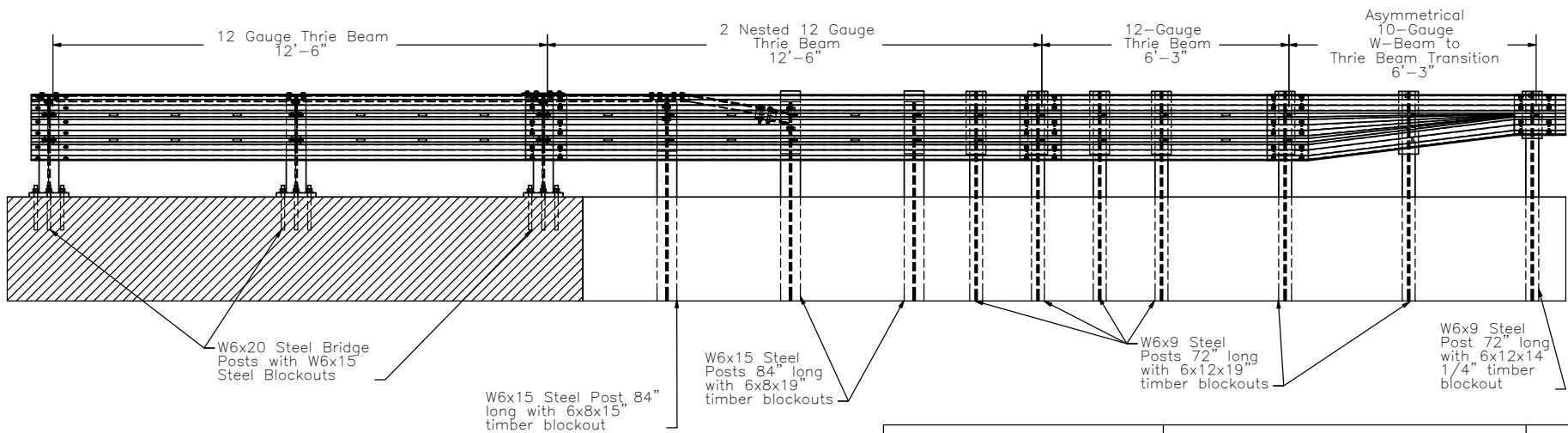
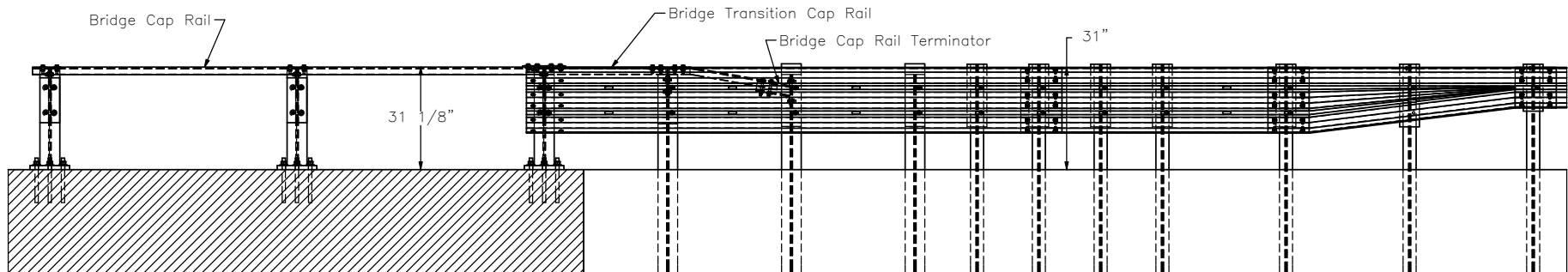
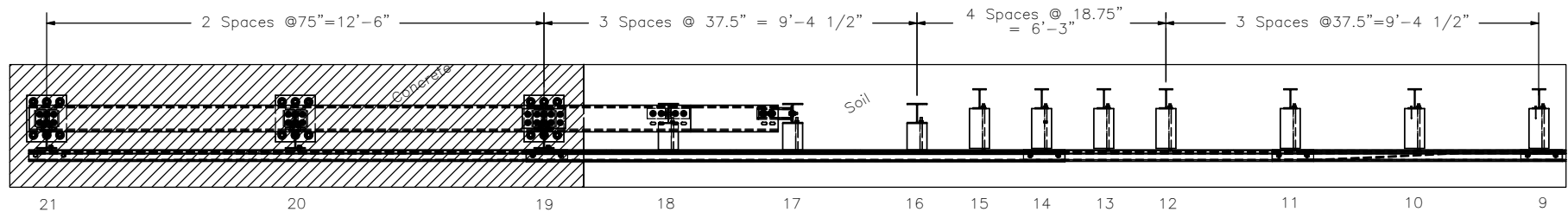
Midwest Roadside Safety Facility

MWT Standard Post System Layout

DWG. NAME:
MWT-SP_R4

SCALE: 1:110
UNITS: Inches

SHEET:
1 of 18
DATE:
1/11/2008
DRAWN BY:
EMA
REV. BY:
KAP/SKR



Midwest Roadside Safety Facility

MWT Standard Post

End Rail Detail
Splice Detail

DWG. NAME.
MWT-SP_R4

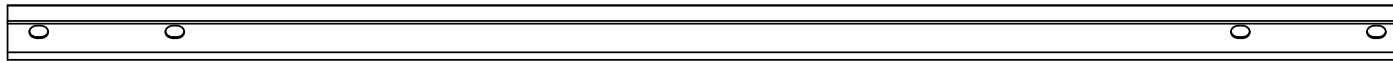
SCALE: 1:50
UNITS: Inches

SHEET:
2 of 18

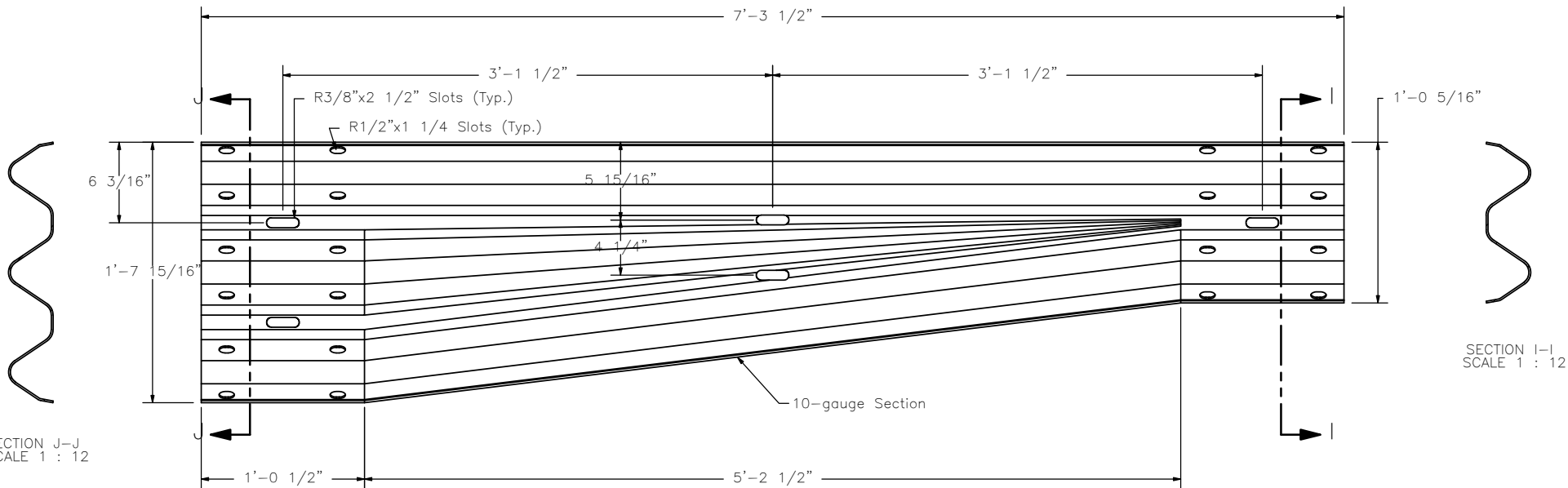
DATE:
1/11/2008

DRAWN BY:
EMA

REV. BY:
KAP/SKR



PLAN VIEW



ELEVATION VIEW



Midwest Roadside
Safety Facility

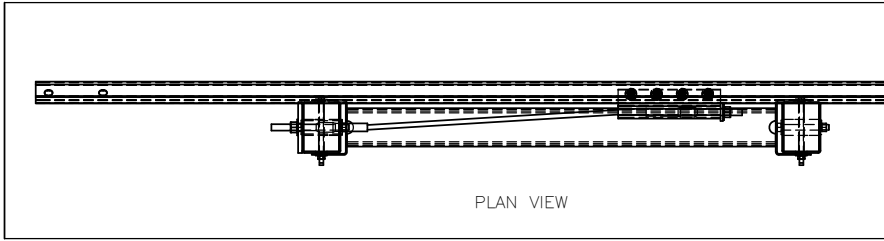
MWT Standard Post

Asymmetrical W-Beam
to Thrie Beam Transition
Rail Section Detail

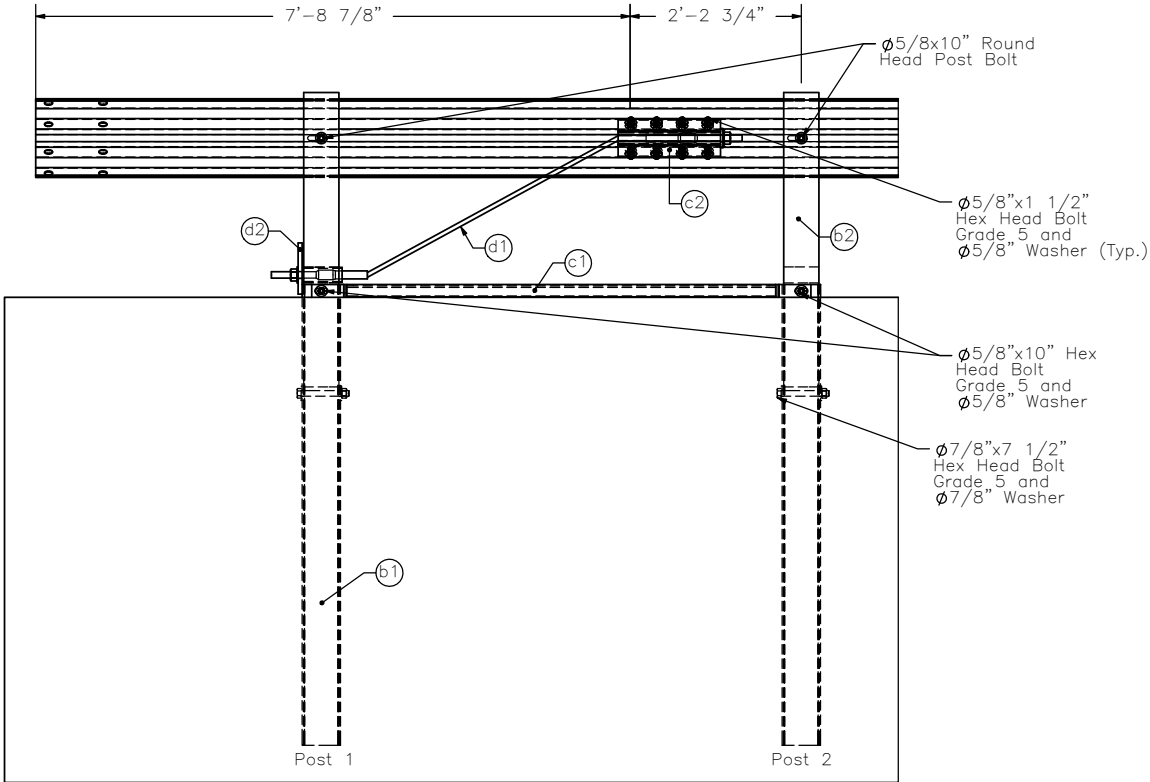
DWG. NAME.
MWT-SP_R4

SCALE: 1:10
UNITS: Inches

SHEET:
3 of 18
DATE:
1/11/2008
DRAWN BY:
EMA
REV. BY:
KAP/SKR

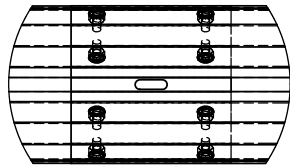


PLAN VIEW

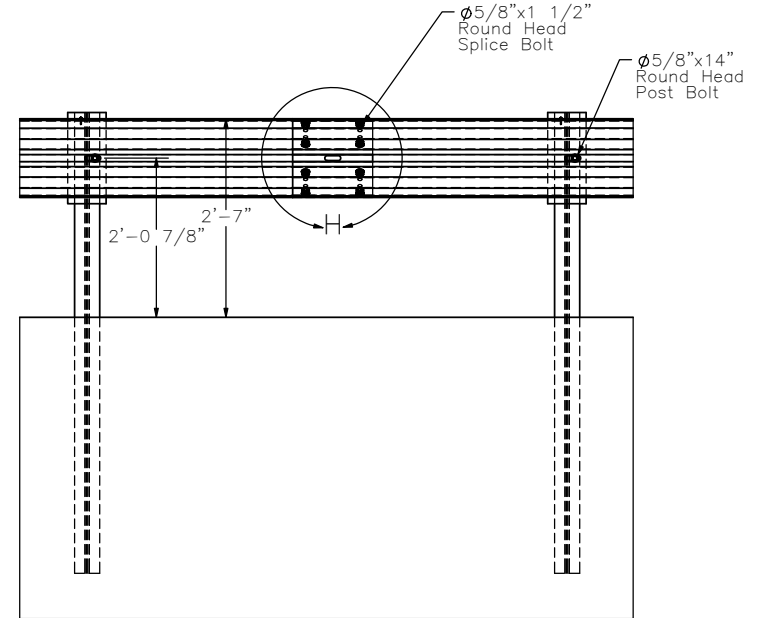


ELEVATION VIEW

END RAIL DETAIL



DETAIL H
SCALE 1 : 15



ELEVATION VIEW

SPLICE DETAIL



Midwest Roadside
Safety Facility

MWT Standard Post

Splice Detail
End Rail Detail

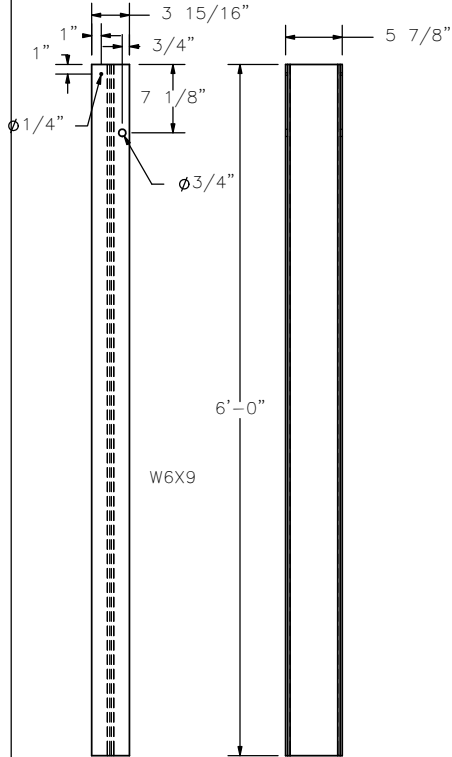
DWG. NAME.
MWT-SP_R4

SCALE: None
UNITS: Inches

SHEET:
4 of 18
DATE:
1/11/2008
DRAWN BY:
EMA
REV. BY:
KAP/SKR



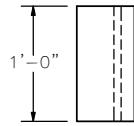
PLAN VIEW



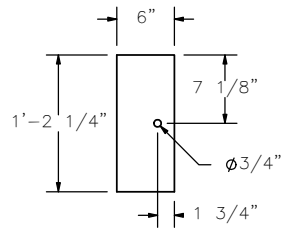
ELEVATION VIEW

PROFILE VIEW

POST 3-9



PLAN VIEW

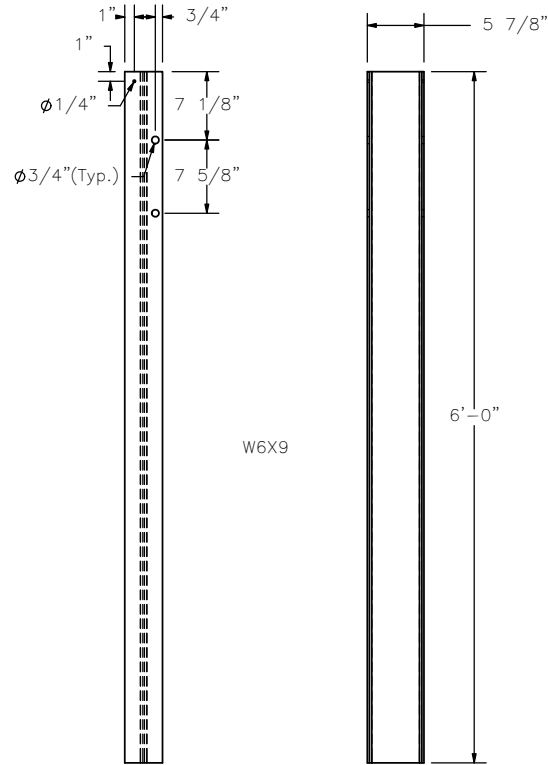


ELEVATION VIEW

BLOCKOUT
Post 3-9



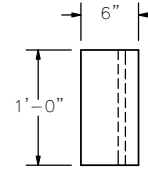
PLAN VIEW



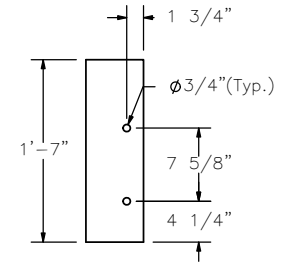
ELEVATION VIEW

PROFILE VIEW

POST 10-15



PLAN VIEW



ELEVATION VIEW

BLOCKOUT
Post 10-15



Midwest Roadside
Safety Facility

MWT Standard Post

Posts 3-15
Details

DWG. NAME.
MWT-SP_R4

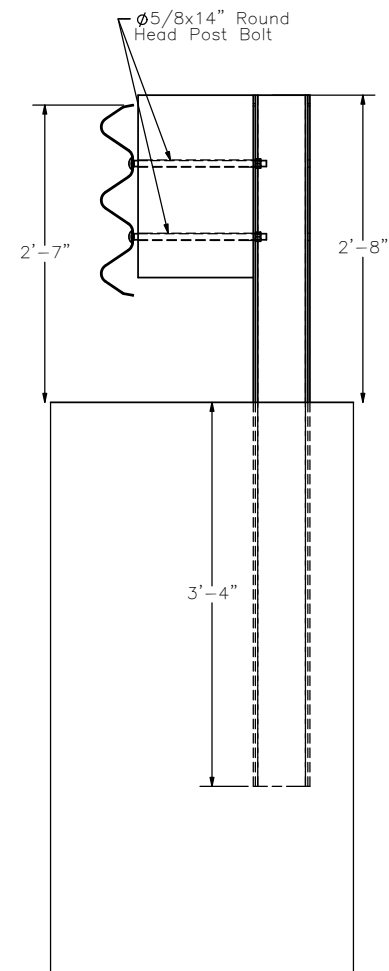
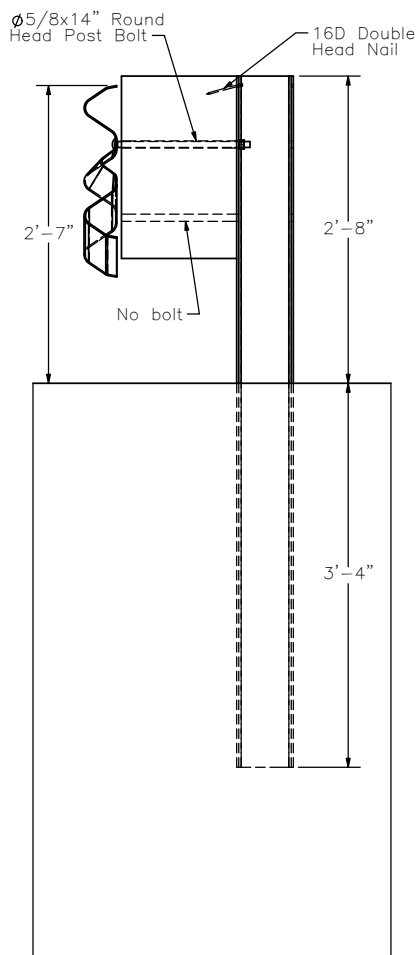
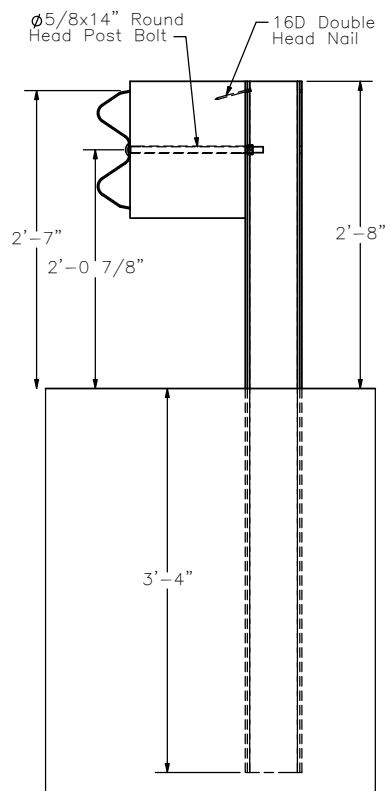
SCALE: 1:20
UNITS: Inches

SHEET:
5 of 18

DATE:
1/11/2008

DRAWN BY:
EMA

REV. BY:
KAP/SKR



Midwest Roadside
Safety Facility

MWT Standard Post

Posts 3-15 Details
with Rail

DWG. NAME.
MWT-SP_R4

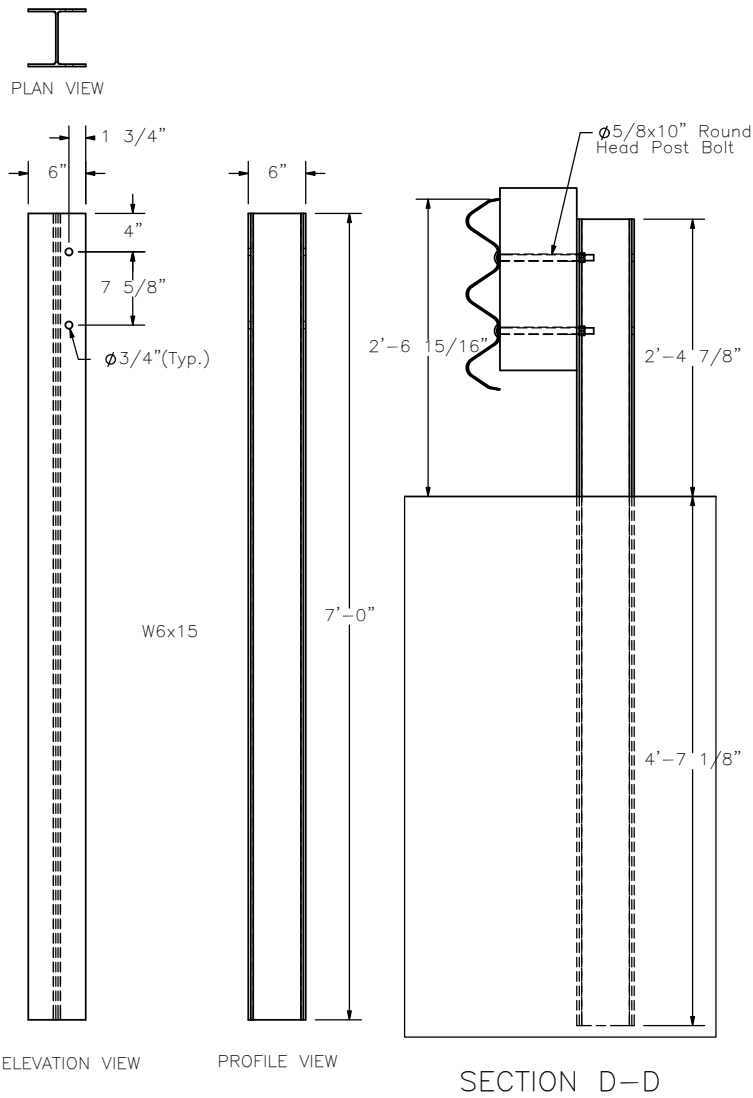
SCALE: 1:20
UNITS: Inches

SHEET:
6 of 18

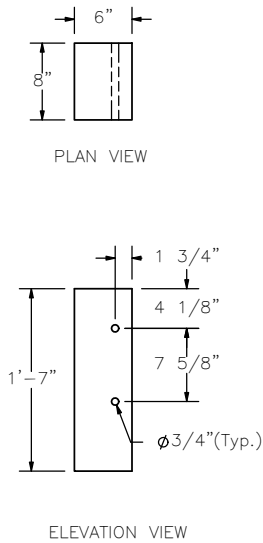
DATE:
1/11/2008

DRAWN BY:
EMA

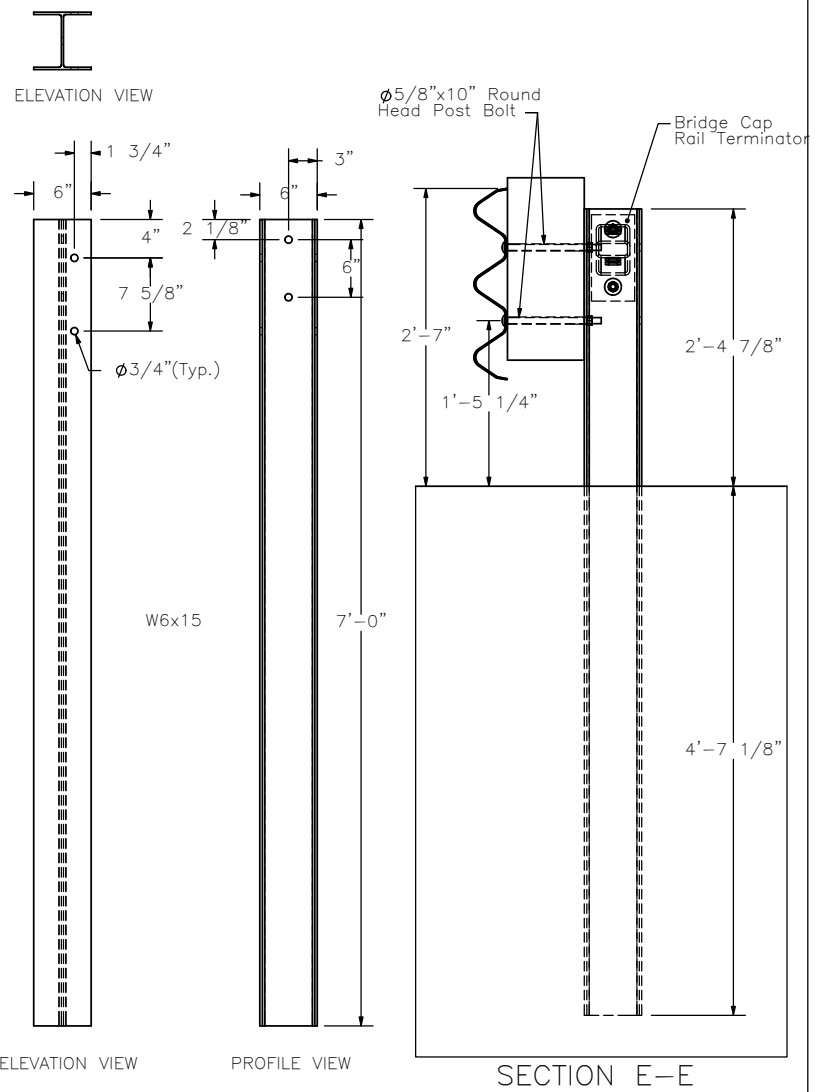
REV. BY:
KAP/SKR




POST 16

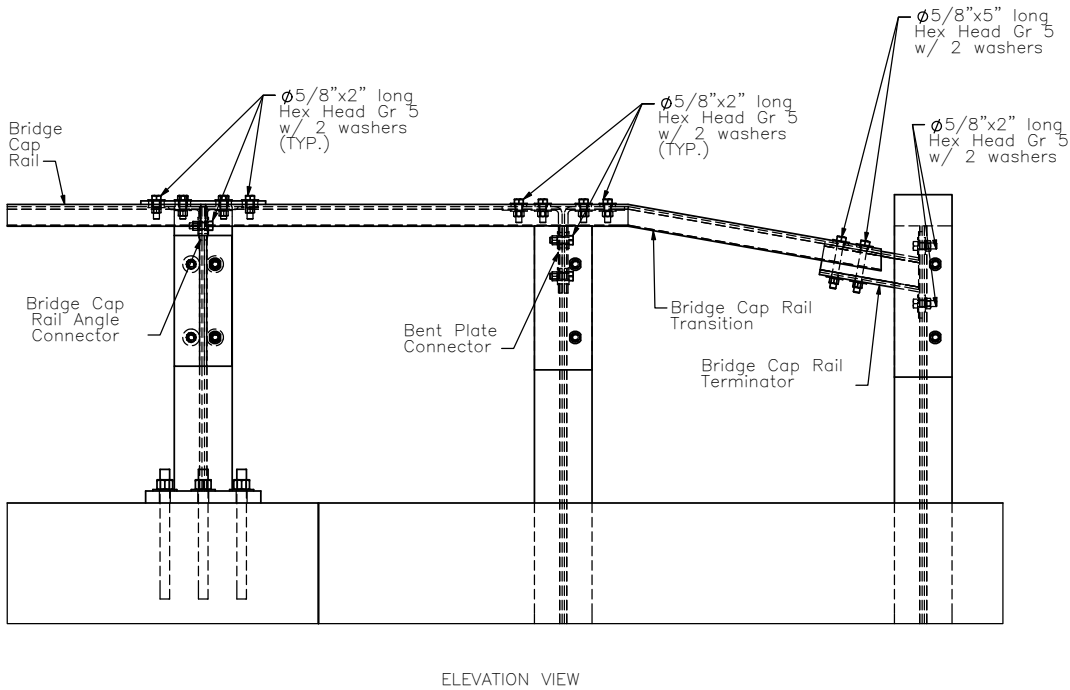
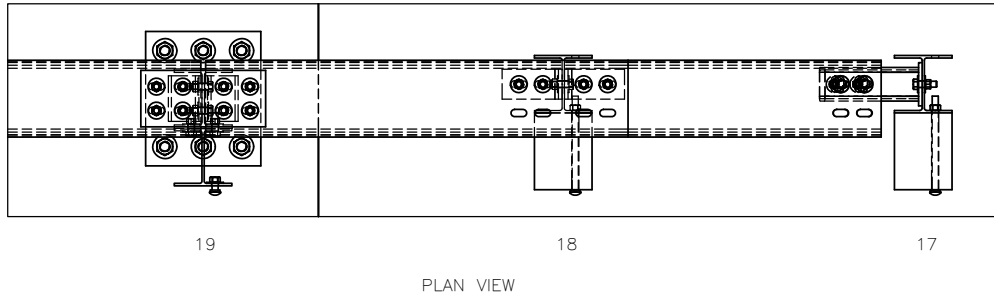


BLOCKOUT
Post 16 &
Post 17



POST 17

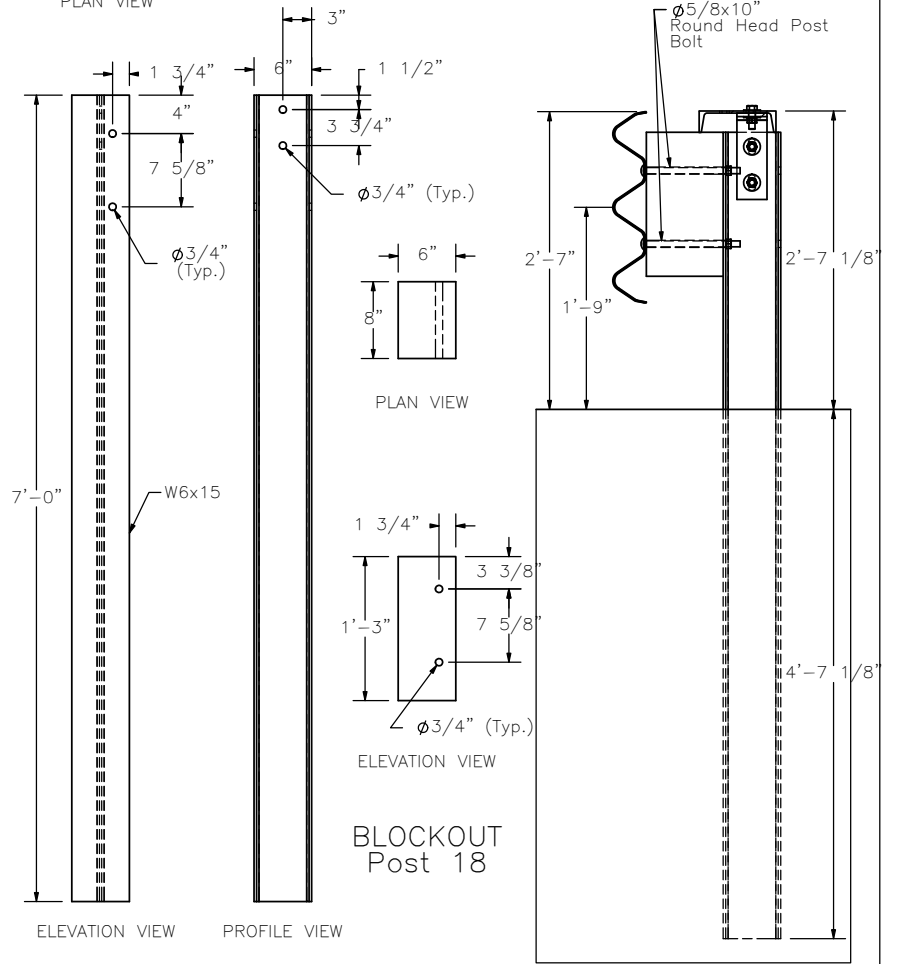
	MWT Standard Post		SHEET: 7 of 18
	Posts 16 & 17 Detail		DATE: 1/11/2008
Midwest Roadside Safety Facility	DWG. NAME: MWT-SP_R4	SCALE: 1:20 UNITS: Inches	DRAWN BY: EMA
			REV. BY: KAP/SKR



CAP RAIL DETAILS



PLAN VIEW



POST 18

SECTION F-F



Midwest Roadside Safety Facility

MWT Standard Post

Cap Rail Hardware Details
Post 18 Detail

SHEET:
8 of 18

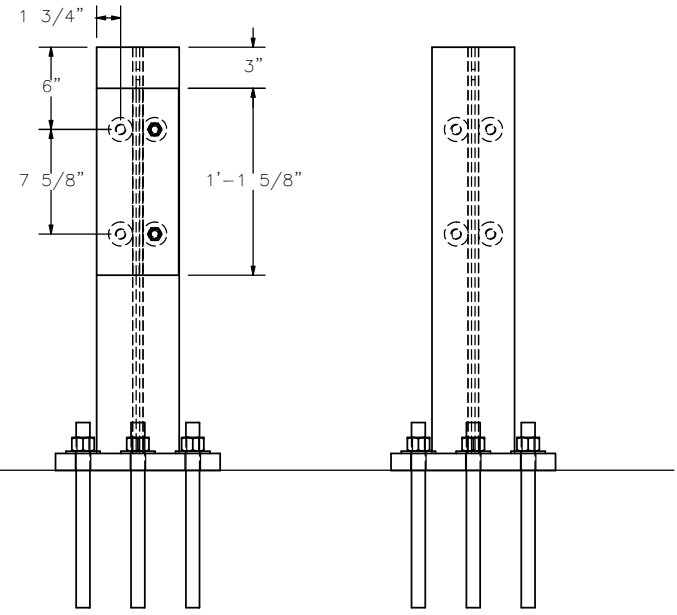
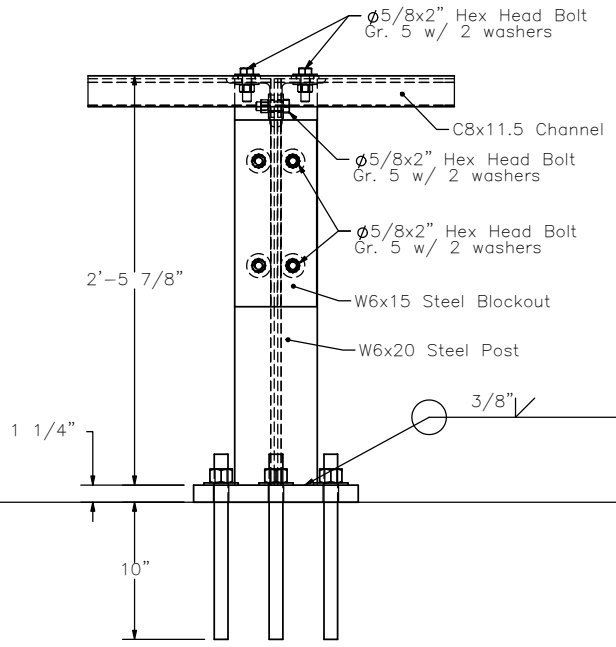
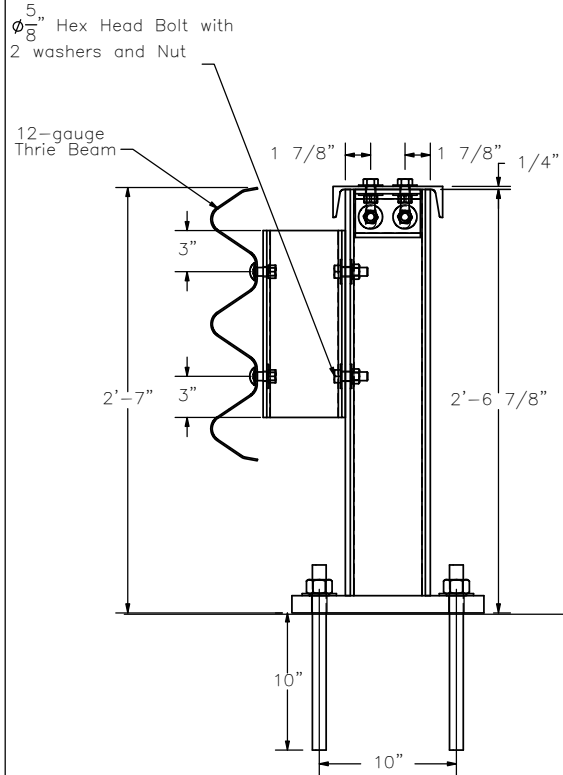
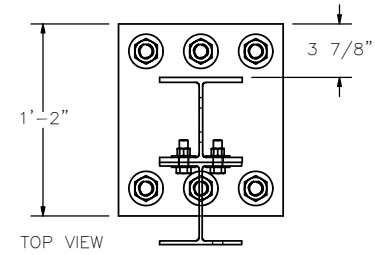
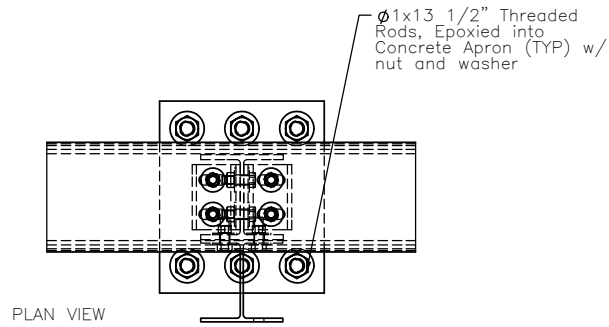
DATE:
1/11/2008

DRAWN BY:
EMA

REV. BY:
KAP/SKR

DWG. NAME:
MWT-SP_R4

SCALE: 1:20
UNITS: Inches



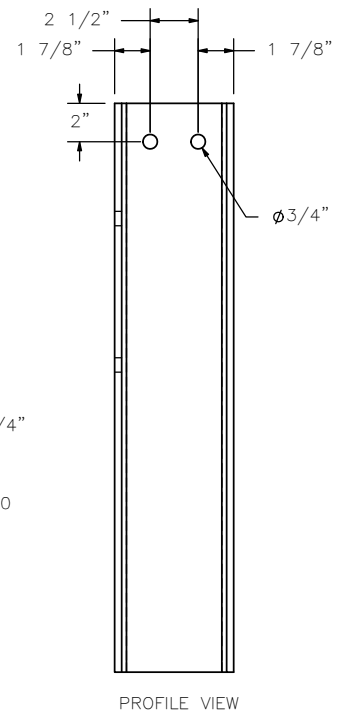
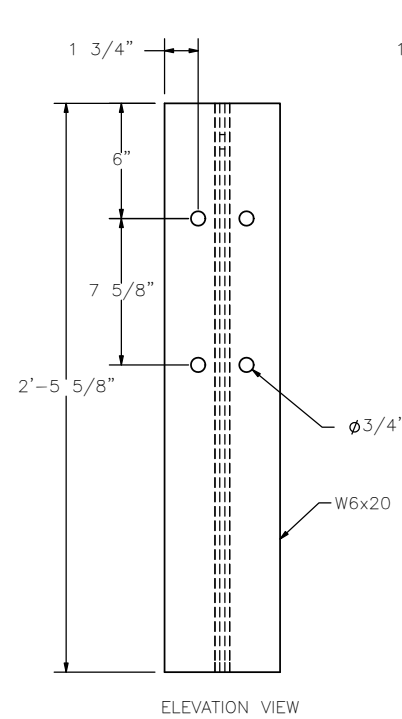
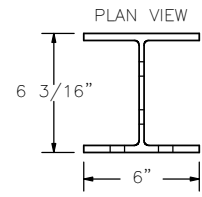
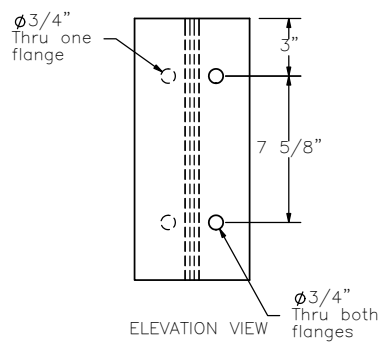
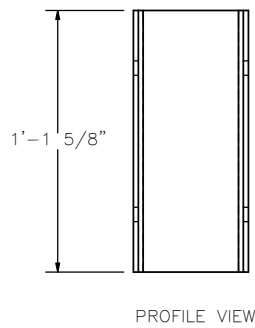
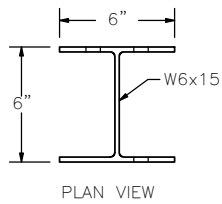
Midwest Roadside Safety Facility

MWT Standard Post
Bridge Rail Details

DWG. NAME.
MWT-SP_R4

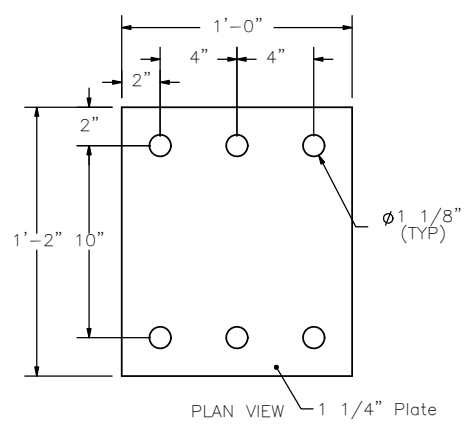
SCALE: 1:14
UNITS: Inches

SHEET:
9 of 18
DATE:
1/11/2008
DRAWN BY:
EMA
REV. BY:
KAP/SKR



Steel Blockout

Steel Post



Connector Plate



Midwest Roadside
Safety Facility

MWT Standard Post
Bridge Rail Details

DWG. NAME:
MWT-SP_R4

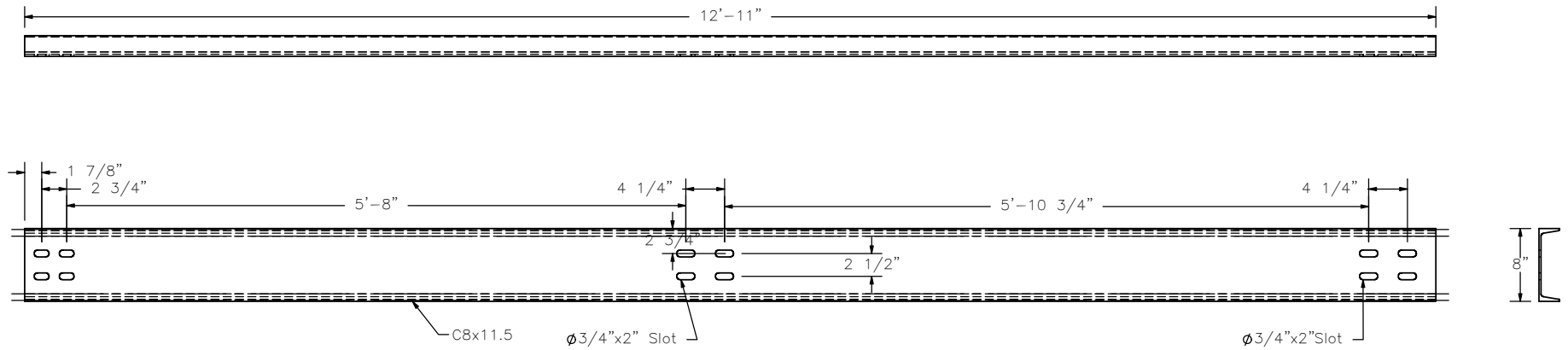
SCALE: 1:10
UNITS: Inches

SHEET:
10 of 18

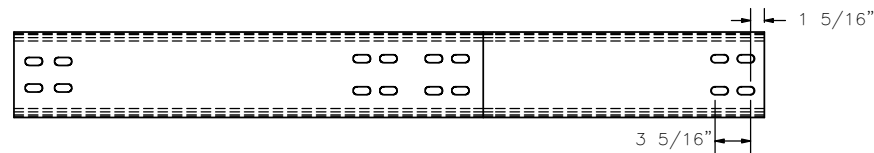
DATE:
1/11/2008

DRAWN BY:
EMA

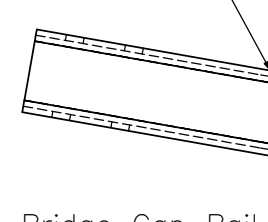
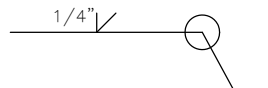
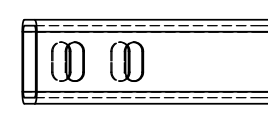
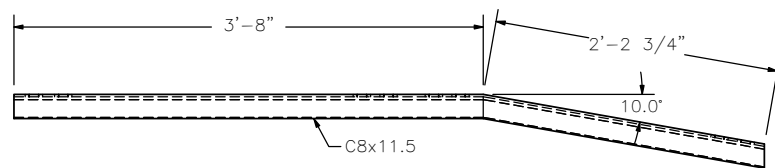
REV. BY:
KAP/SKR



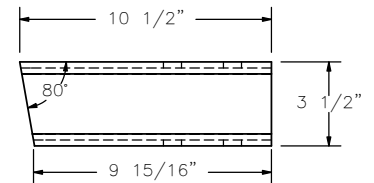
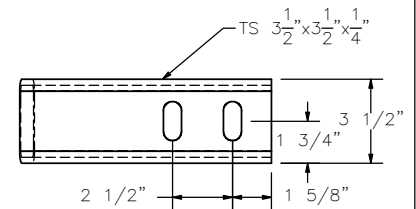
Bridge Cap Rail
C8x11.5



Bridge Cap Rail Transition
C8x11.5



Bridge Cap Rail Terminator



Bridge Cap Rail Terminator Tube



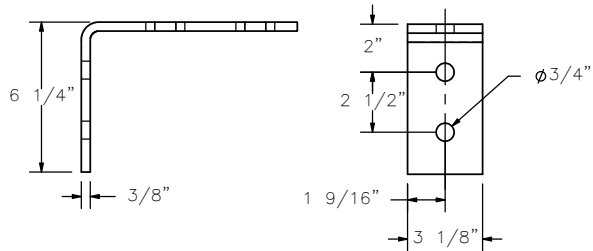
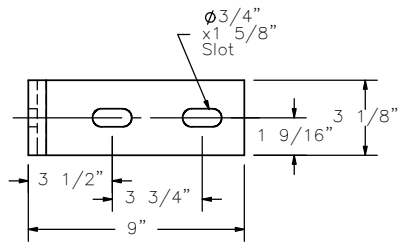
Midwest Roadside
Safety Facility

MWT Standard Post
Bridge Rail Details

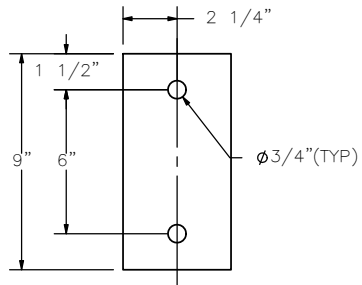
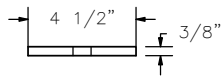
DWG. NAME.
MWT-SP_R4

SCALE: None
UNITS: Inches

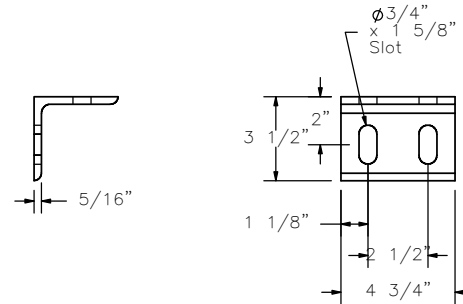
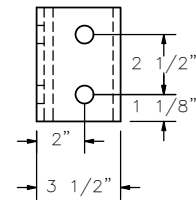
SHEET:
11 of 18
DATE:
1/11/2008
DRAWN BY:
EMA
REV. BY:
KAP/SKR



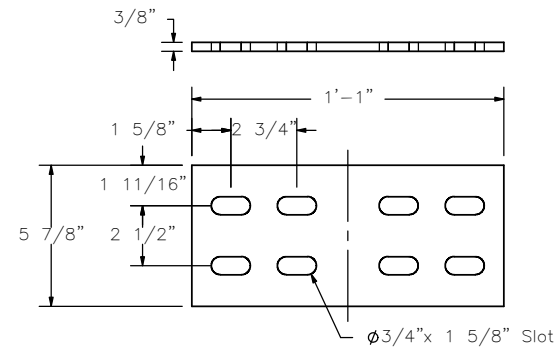
Bent Plate Connector
 L 6 1/4" x 9" x 3/8"



Bridge Cap Rail Terminator Plate



Cap Rail Angle
 L 3 1/2" x 3 1/2" x 5/16"



Splice Plate



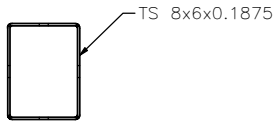
Midwest Roadside Safety Facility

MWT Standard Post
 Bridge Rail Details

DWG. NAME:
 MWT-SP_R4

SCALE: 1:8
 UNITS: Inches

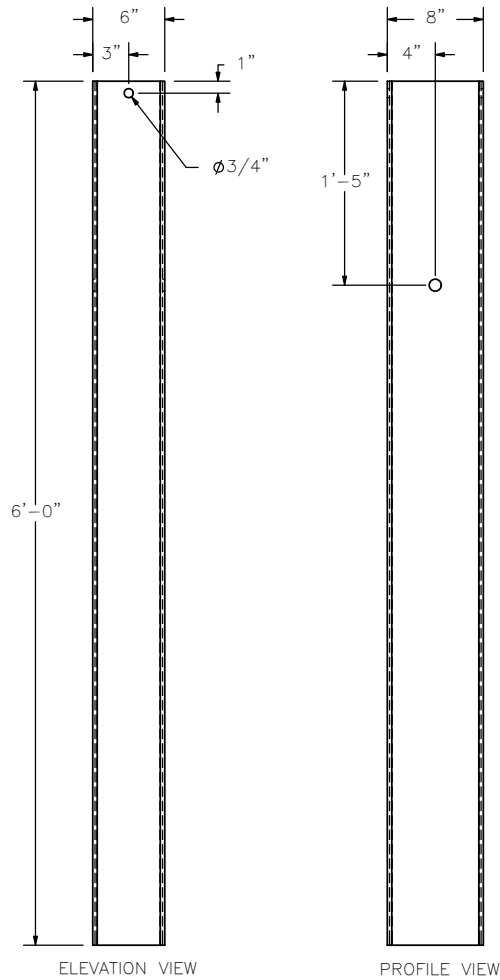
SHEET:
 12 of 18
 DATE:
 1/11/2008
 DRAWN BY:
 EMA
 REV. BY:
 KAP/SKR



PLAN VIEW



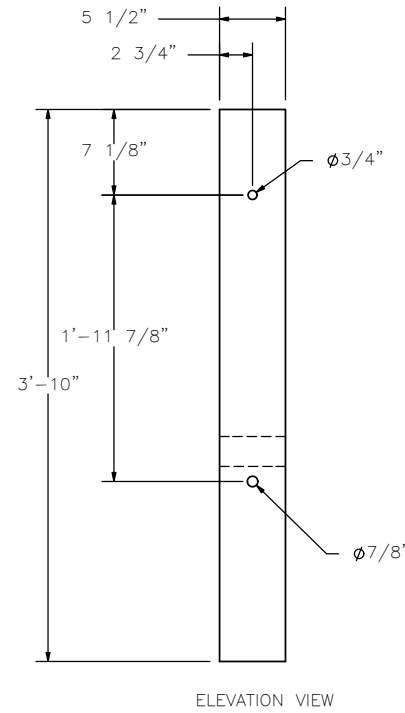
PLAN VIEW



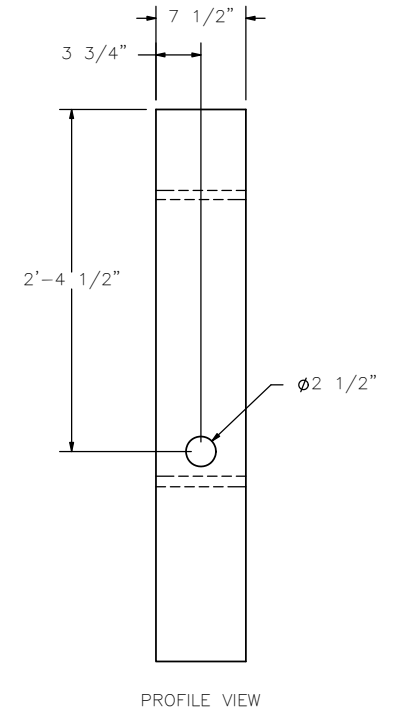
ELEVATION VIEW

PROFILE VIEW

Foundation Tube
Part b1



ELEVATION VIEW



PROFILE VIEW

BCT (MGS) Timber Post
Part b2



Midwest Roadside
Safety Facility

MWT Standard Post

BCT Timber Posts &
Foundation Tube Detail

SHEET:
13 of 18

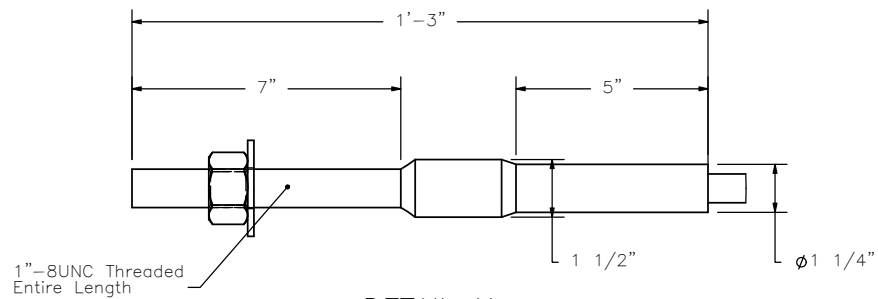
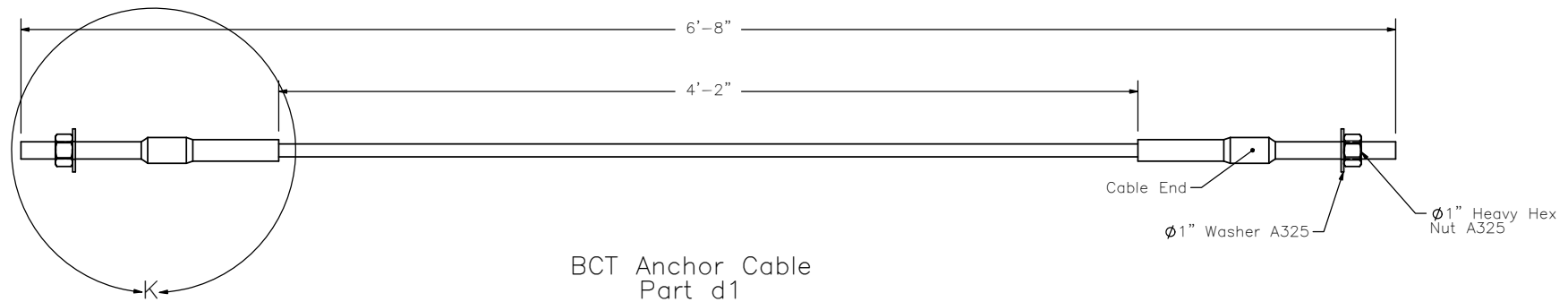
DATE:
1/11/2008

DRAWN BY:
EMA

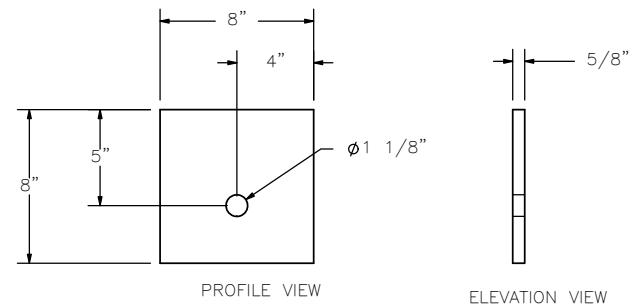
DWG. NAME:
MWT-SP_R4

SCALE: 1:16
UNITS: Inches

REV. BY:
KAP/SKR



DETAIL K
SCALE 1 : 5



Anchor Cable
Bearing Plate
Part d2



Midwest Roadside
Safety Facility

MWT Standard Post

BCT Anchor Cable Detail

SHEET:
14 of 18

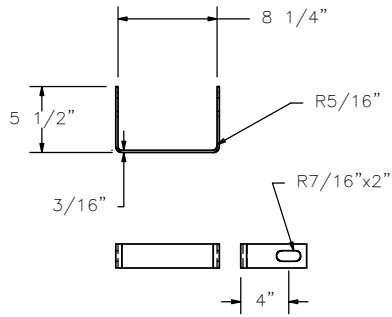
DATE:
1/11/2008

DRAWN BY:
EMA

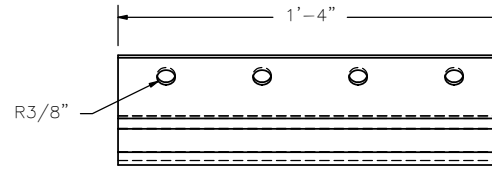
DWG. NAME:
MWT-SP_R4

SCALE: 1:10
UNITS: Inches

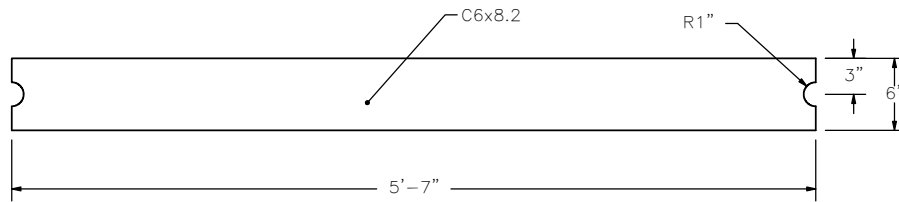
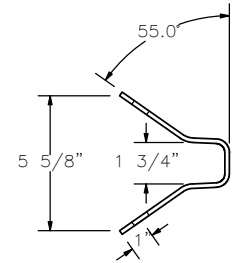
REV. BY:
KAP/SKR



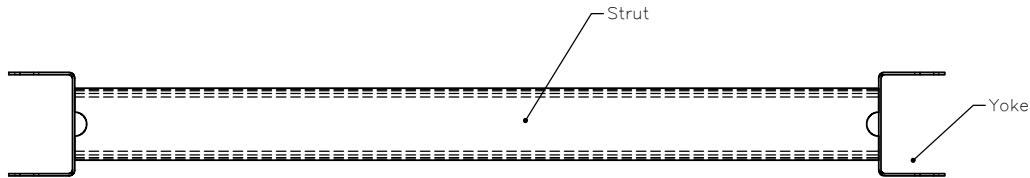
Yoke Detail



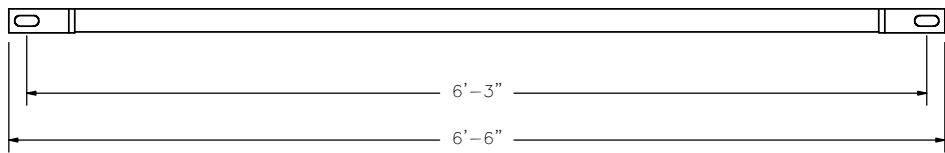
Anchor Bracket
Part c2



Strut Detail

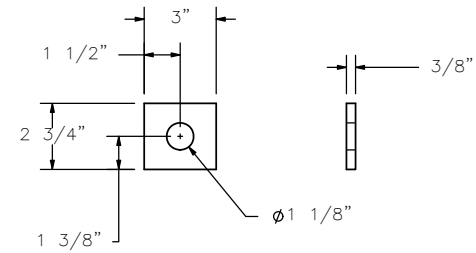


PLAN VIEW



ELEVATION VIEW

Ground Strut
Part c1



Anchor Bracket
Bearing Plate
Part c3



Midwest Roadside
Safety Facility

MWT Standard Post

Ground Strut & Anchor
Bracket Details

SHEET:
15 of 18

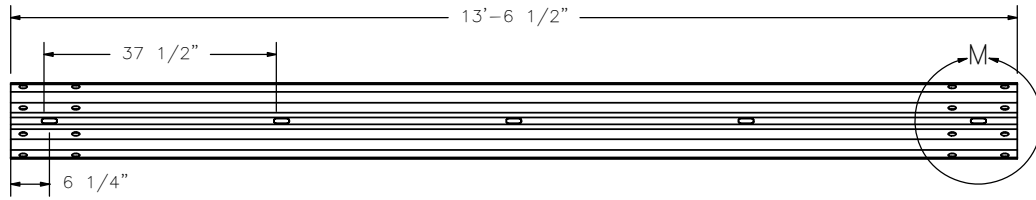
DATE:
1/11/2008

DRAWN BY:
EMA

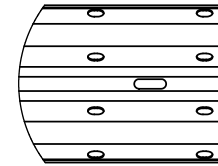
REV. BY:
KAP/SKR

DWG. NAME:
MWT-SP_R4

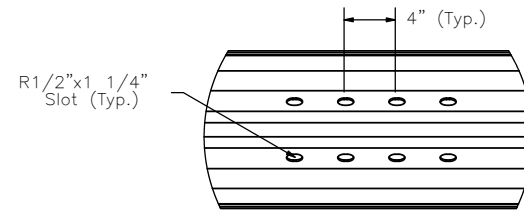
SCALE: None
UNITS: Inches



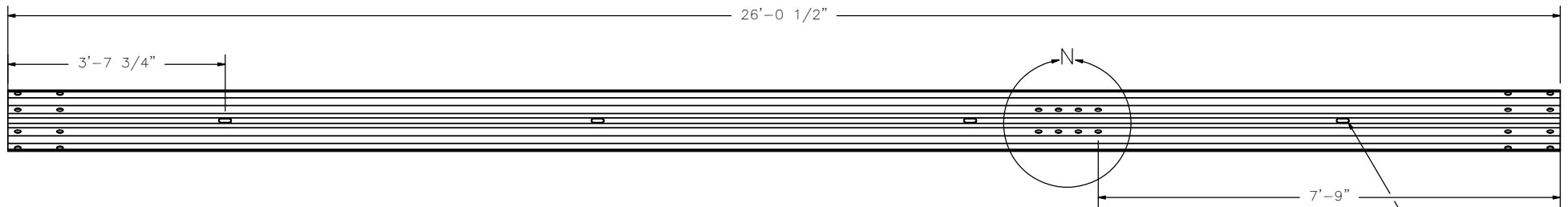
12.5' MGS W-Beam, 12 gauge



DETAIL M
SCALE 1 : 15



DETAIL N
SCALE 1 : 15



25' MGS W-Beam End Section, 12 gauge

$\phi 3/4 \times 2 1/2$
Slots (Typ.)



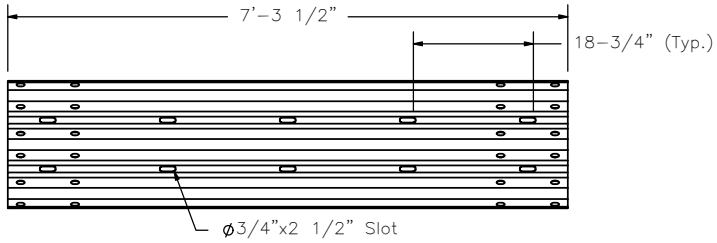
Midwest Roadside
Safety Facility

MWT Standard Post
Rail Section Details

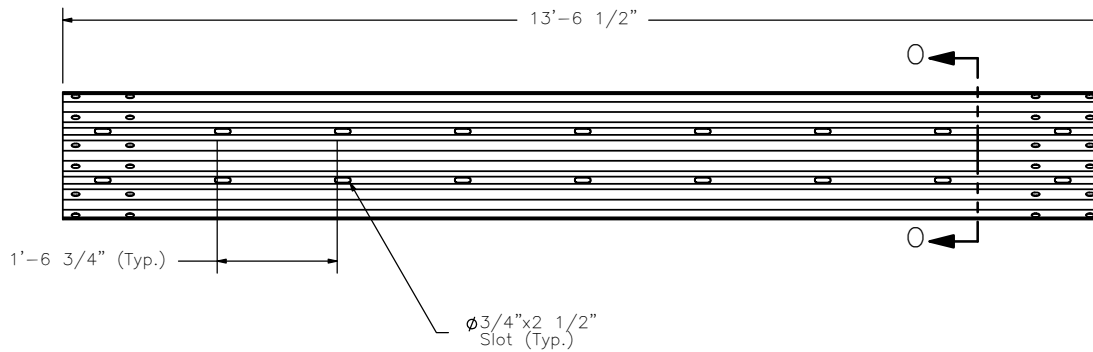
DWG. NAME.
MWT-SP_R4

SCALE: 1:31
UNITS: Inches

SHEET:
16 of 18
DATE:
1/11/2008
DRAWN BY:
EMA
REV. BY:
KAP/SKR



6'-3" Thrie Beam Section, 12 gauge,
1/4 Post Spacing



12'-6" Thrie Beam Section, 12 gauge,
1/4 Post Spacing

SECTION 0-0



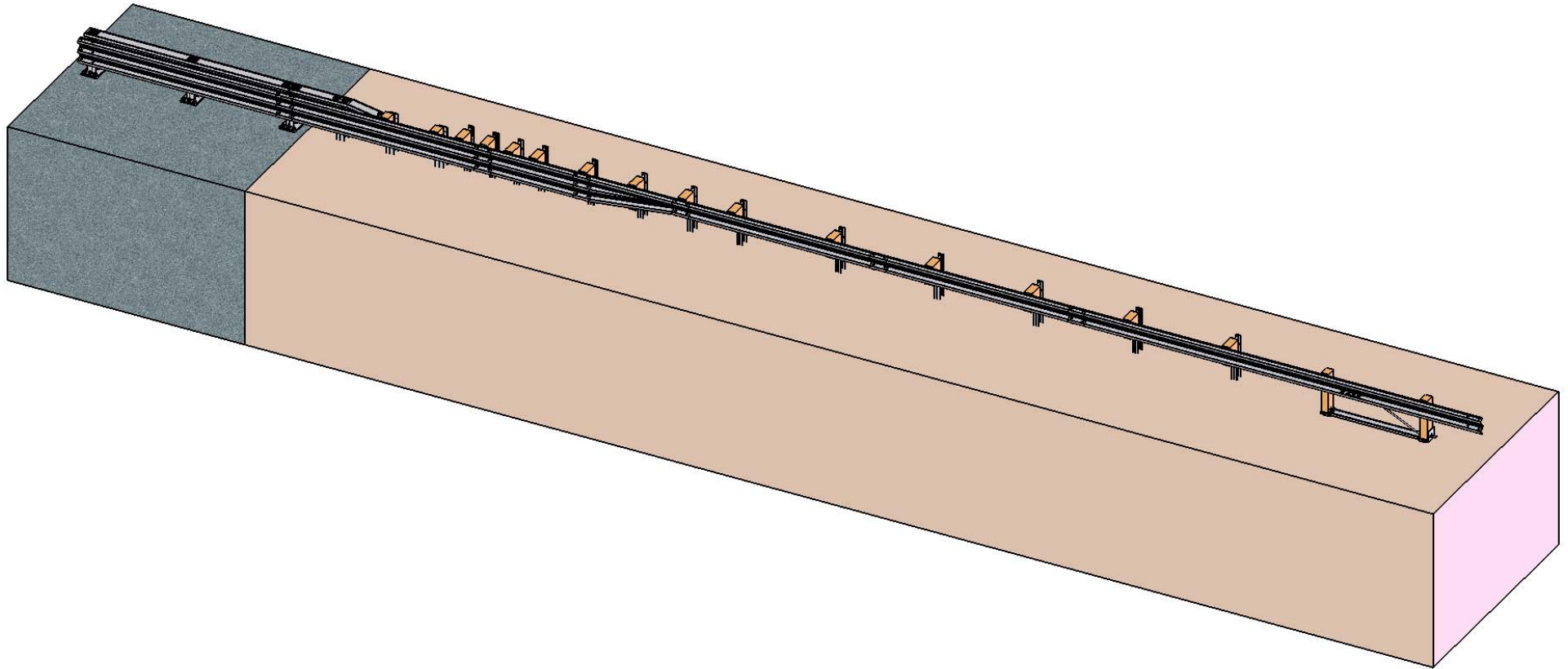
Midwest Roadside
Safety Facility

MWT Standard Post
Rail Section Details

DWG. NAME.
MWT-SP_R4

SCALE: 1:30
UNITS: Inches

SHEET:
17 of 18
DATE:
1/11/2008
DRAWN BY:
EMA
REV. BY:
KAP/SKR



Midwest Roadside
Safety Facility

MWT Standard Post
Isometric System View

DWG. NAME:
MWT-SP_R4

SCALE: 1:105
UNITS: Inches

SHEET:
18 of 18
DATE:
1/11/2008
DRAWN BY:
EMA
REV. BY:
KAP/SKR