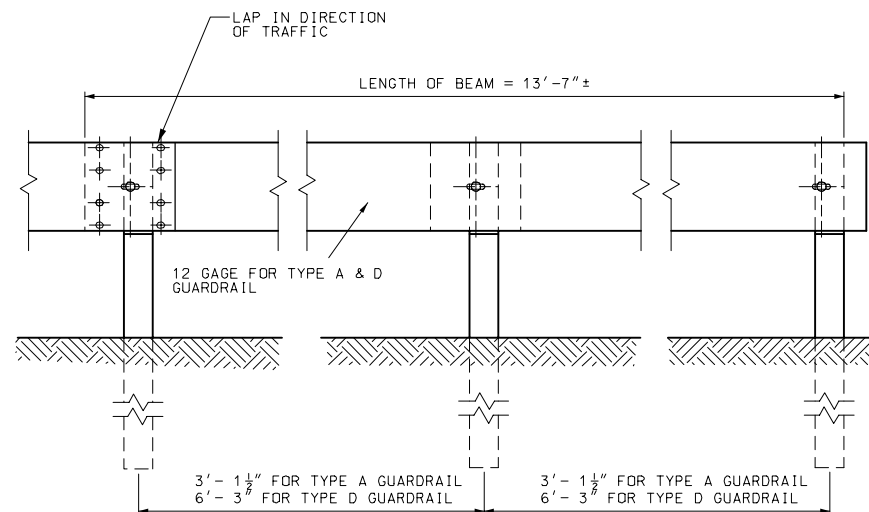
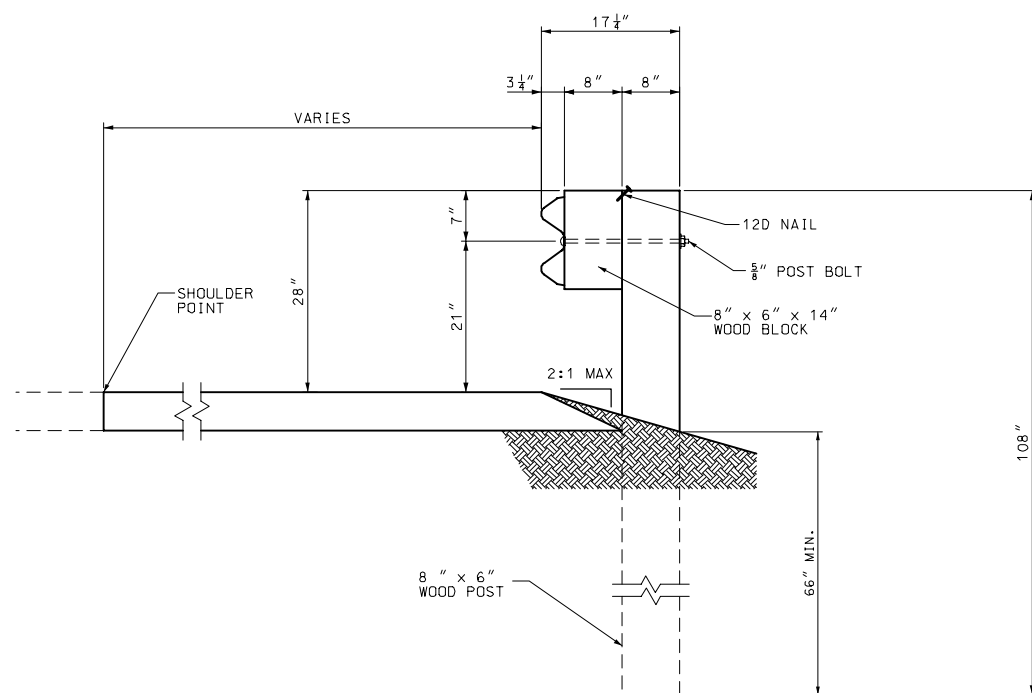


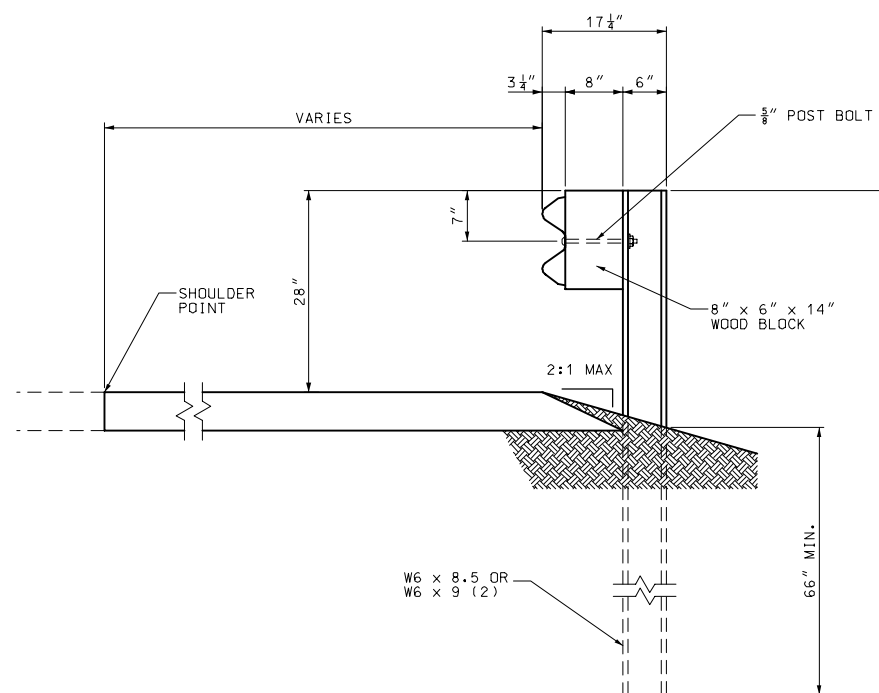
PLAN



ELEVATION



WOOD POST & BLOCK
TYPICAL SECTION



STEEL POST & WOOD BLOCK
TYPICAL SECTION

- NOTE:
- (1) END TREATMENT AS SPECIFIED ON PLANS
 - (2) POST EMBEDDED A MINIMUM OF 66" IN SOIL.

GENERAL NOTES:
 WASHERS SHALL BE OMITTED ON ALL CONNECTIONS ON TYPE A AND D GUARDRAIL.
 POST MAY BE WOOD OR STEEL WITH ONLY ONE MATERIAL ALLOWED WITHIN A SINGLE PROJECT, EXCEPT FOR END TREATMENTS.
 ALL DIMENSIONS ARE SUBJECT TO MANUFACTURING TOLERANCES EXCEPT WHERE ALLOWABLE TOLERANCES ARE SHOWN.

MISSOURI HIGHWAYS AND TRANSPORTATION COMMISSION			
GUARDRAIL 9 FT. POST			
DATE: _____	EFFECTIVE: 07-01-2000	SPECIAL SHEET	1 1