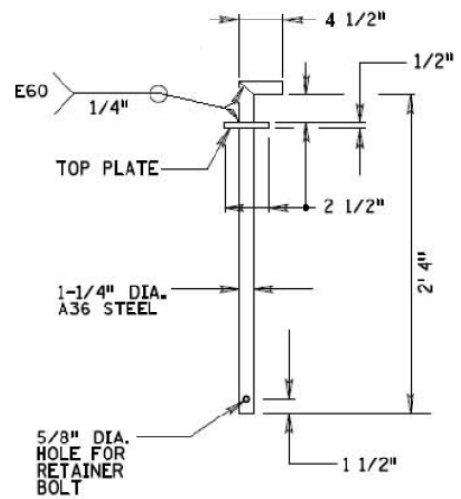
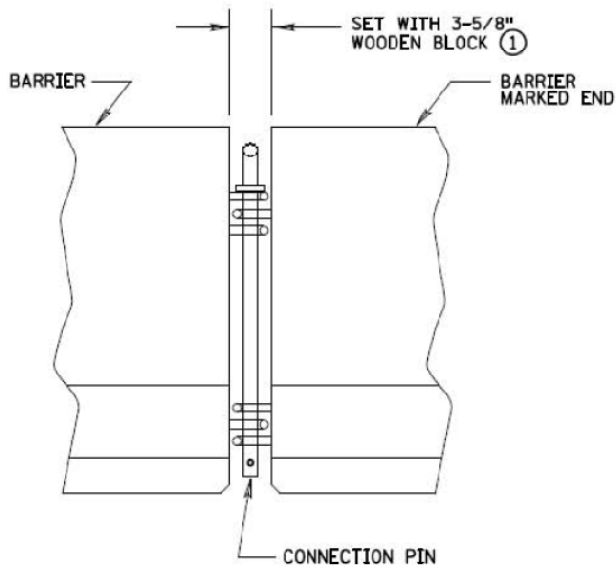


PROPOSED T-TYPE
CONNECTOR PIN DETAILS



PROPOSED CANE TYPE
CONNECTOR PIN DETAILS