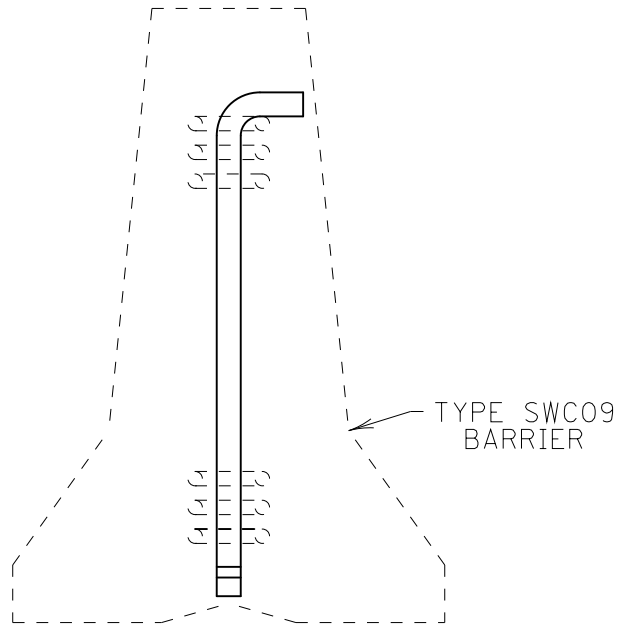
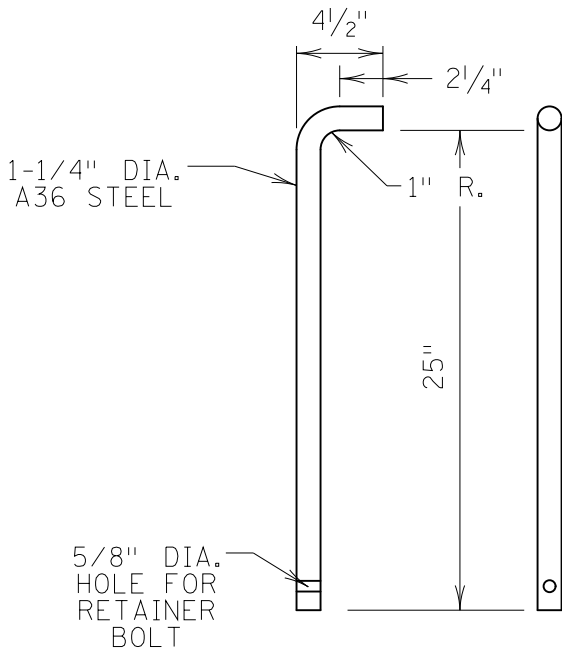


T TYPE



CANE TYPE

STATE OF MINNESOTA
DEPARTMENT OF TRANSPORTATION
PROPOSED CONNECTING PIN
FOR TYPE SWC09 BARRIER

11/22/2010