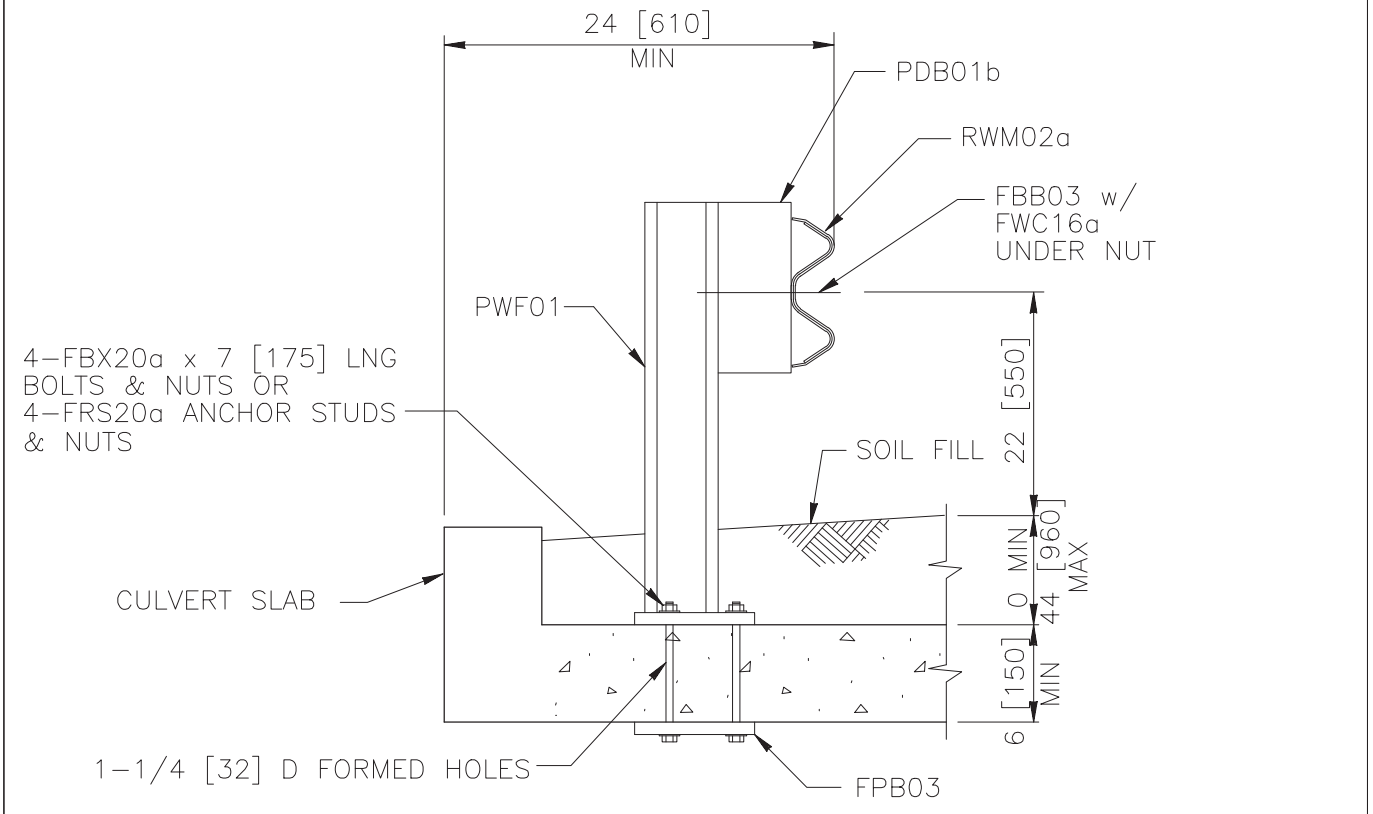


ELEVATION



SECTION

CULVERT MOUNTED W-BEAM GUARDRAIL

SGR05

SHEET NO.	DATE:
1 of 2	8/04/2005