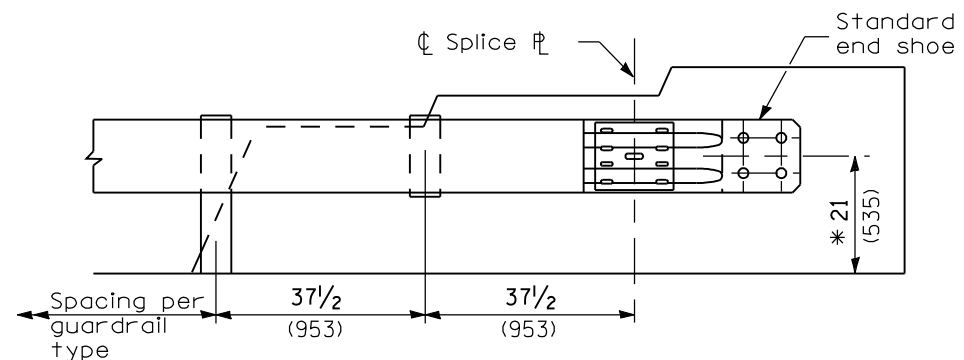
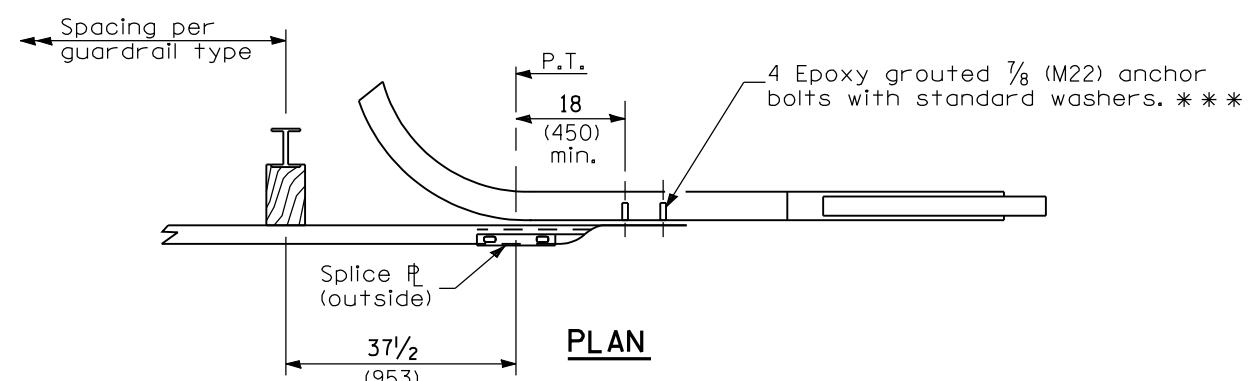


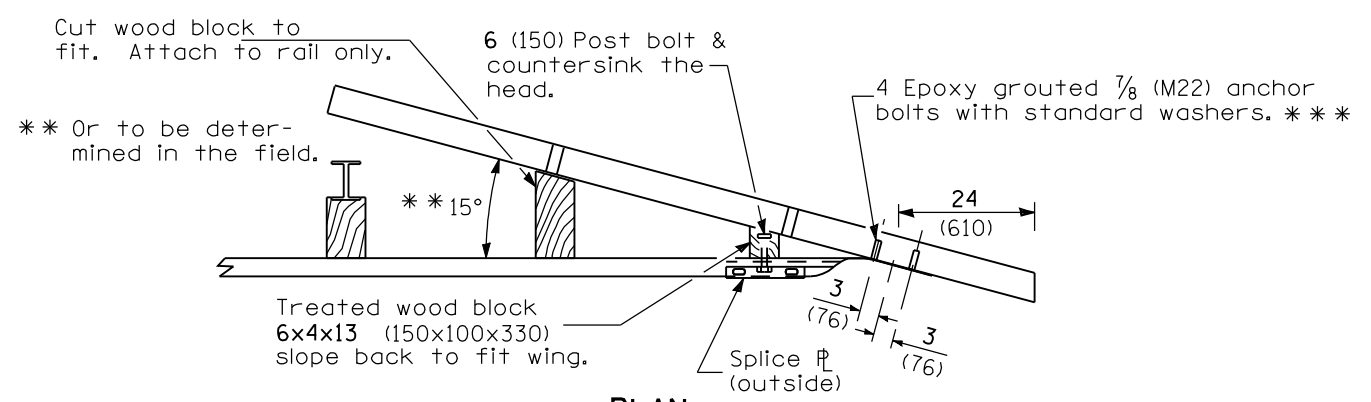
ELEVATION



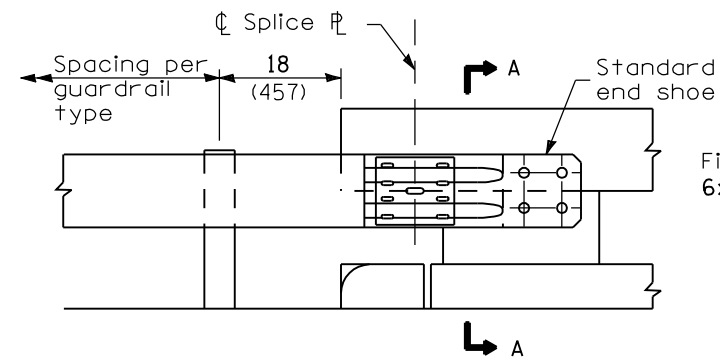
ELEVATION



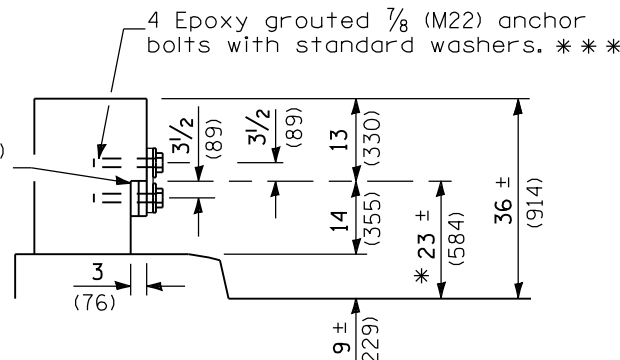
PLAN CURVED WING



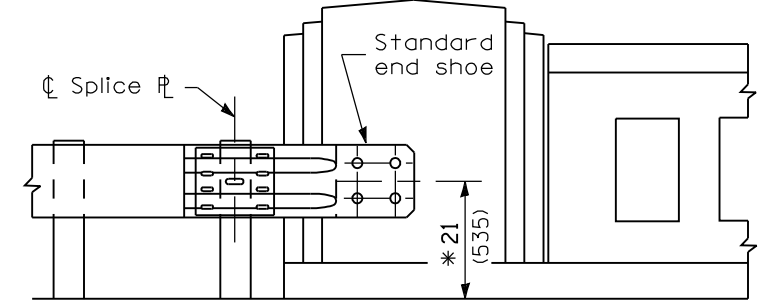
PLAN FLARED WING



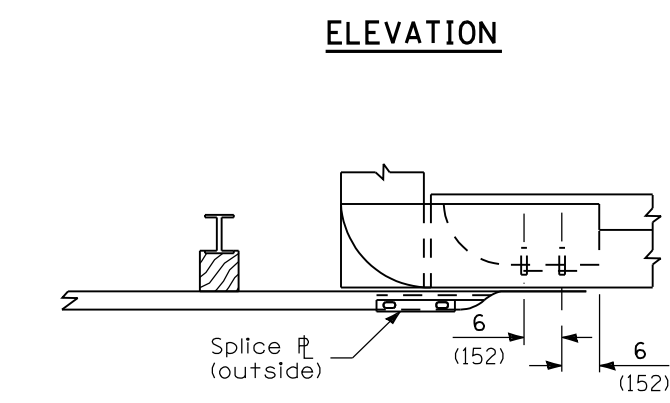
ELEVATION



SECTION A-A (HIGH RAIL)

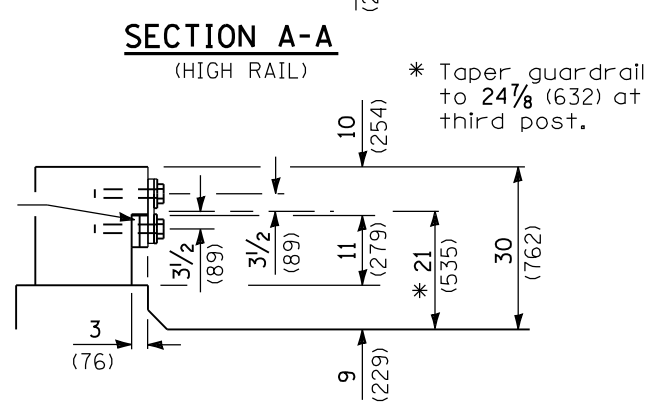


ELEVATION



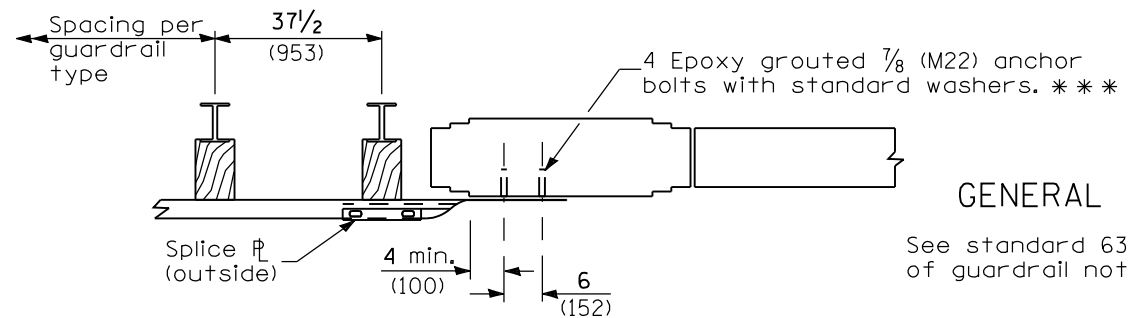
PLAN

Fill Pls (typ.) 5x9 (125x225)



SECTION A-A (LOW RAIL)

* Taper guardrail to 2 1/8 inches (632 mm) at third post.



PLAN CONCRETE HANDRAIL

GENERAL NOTES

See standard 630001 or details of guardrail not shown.

*** After tightening, cut the anchor bolts flush with nuts, and damage the bolt head to prevent it from loosening.

All dimensions are in inches (millimeters) unless otherwise shown.

REINFORCED CONCRETE HANDRAIL

Illinois Department of Transportation
 PASSED January 1, 2009
 ENGINEER OF POLICY AND PROCEDURES
 APPROVED January 1, 2009
 ENGINEER OF DESIGN AND ENVIRONMENT

DATE	REVISIONS
1-1-09	Switched units to English (metric).
1-1-07	Changes adopted to implement the Midwest Guardrail System.

TRAFFIC BARRIER TERMINAL, TYPE 10

STANDARD 631046-04