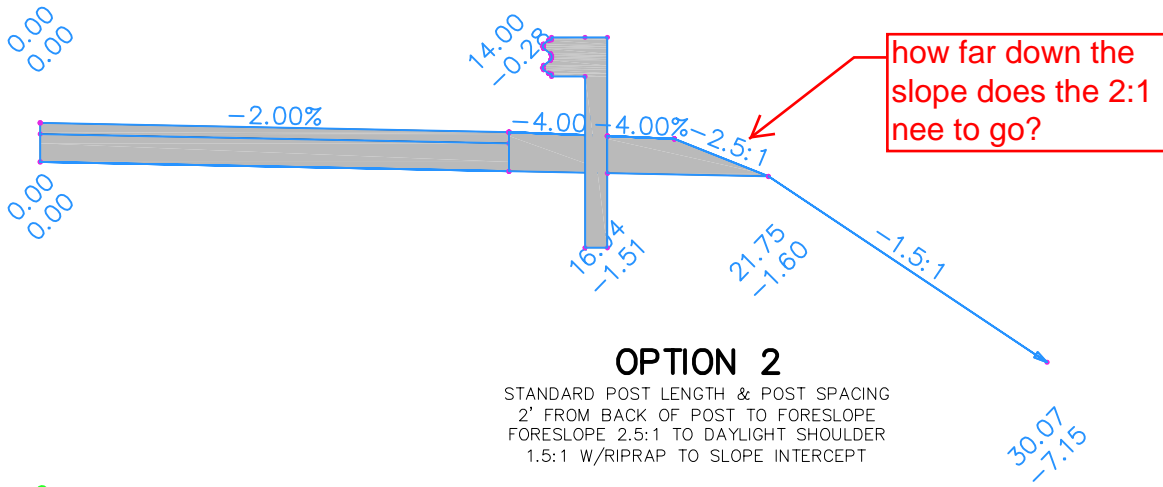


OPTION 1

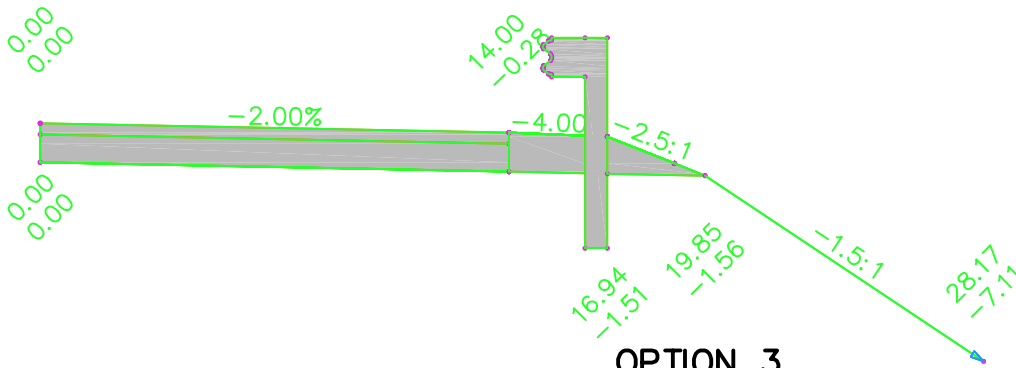
STANDARD INSTALLATION
 2' FROM BACK OF POST TO FORESLOPE
 FORESLOPE 2.5:1 TO SLOPE INTERCEPT



OPTION 2

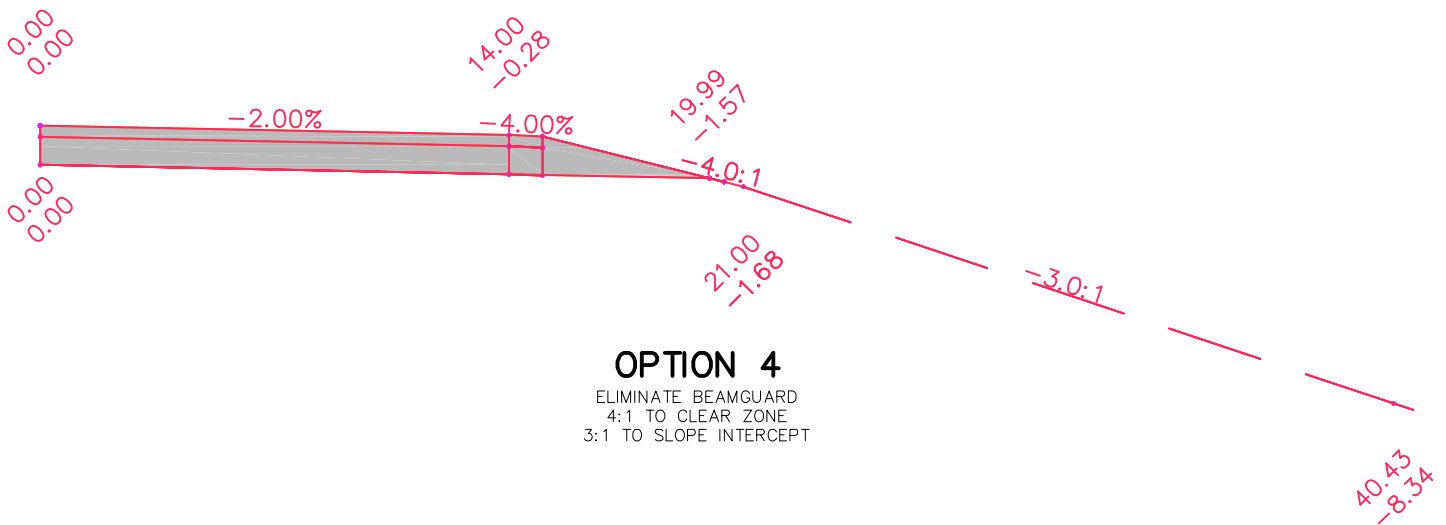
STANDARD POST LENGTH & POST SPACING
 2' FROM BACK OF POST TO FORESLOPE
 FORESLOPE 2.5:1 TO DAYLIGHT SHOULDER
 1.5:1 W/RIPRAP TO SLOPE INTERCEPT

how far down the slope does the 2:1 need to go?



OPTION 3

LONG POSTS & 1/2 - POST SPACING
 2' FROM BACK OF POST TO FORESLOPE
 FORESLOPE 2.5:1 FROM BACK OF POST TO DAYLIGHT SHOULDER
 1.5:1 W/RIPRAP TO SLOPE INTERCEPT



OPTION 4

ELIMINATE BEAMGUARD
 4:1 TO CLEAR ZONE
 3:1 TO SLOPE INTERCEPT