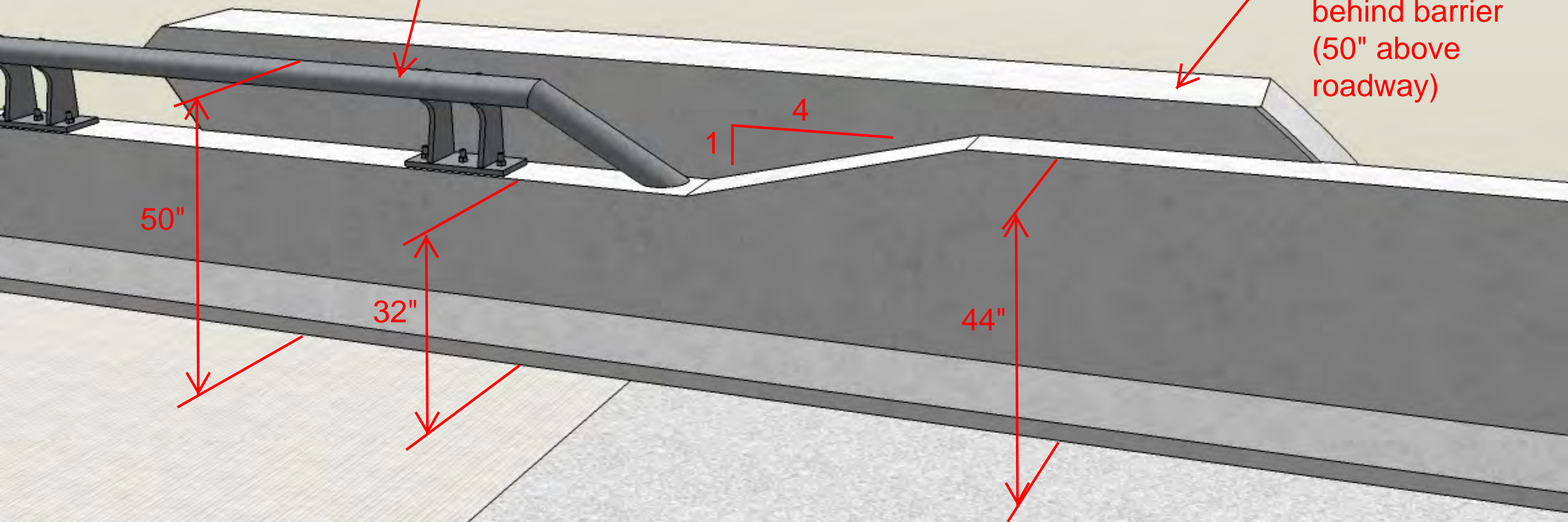


Texas T80HT barrier with standard steel railing details

bridge abutment mask wall behind barrier (50" above roadway)

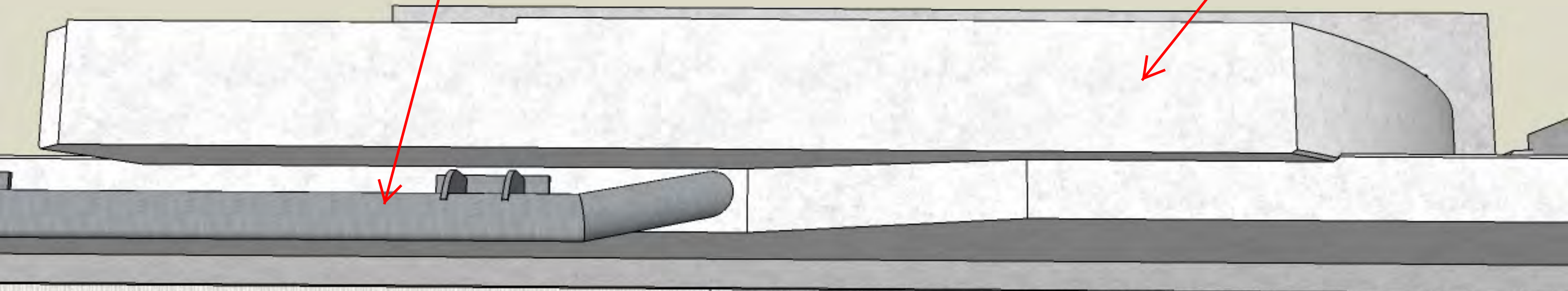


# 44" TL-5 F-Shape to 50" Texas T80HT Barrier Transition: Option 1

Elevation View (leading and trailing ends of barrier are identical)

Texas T80HT barrier with  
standard steel railing details

bridge abutment  
mask wall  
behind barrier

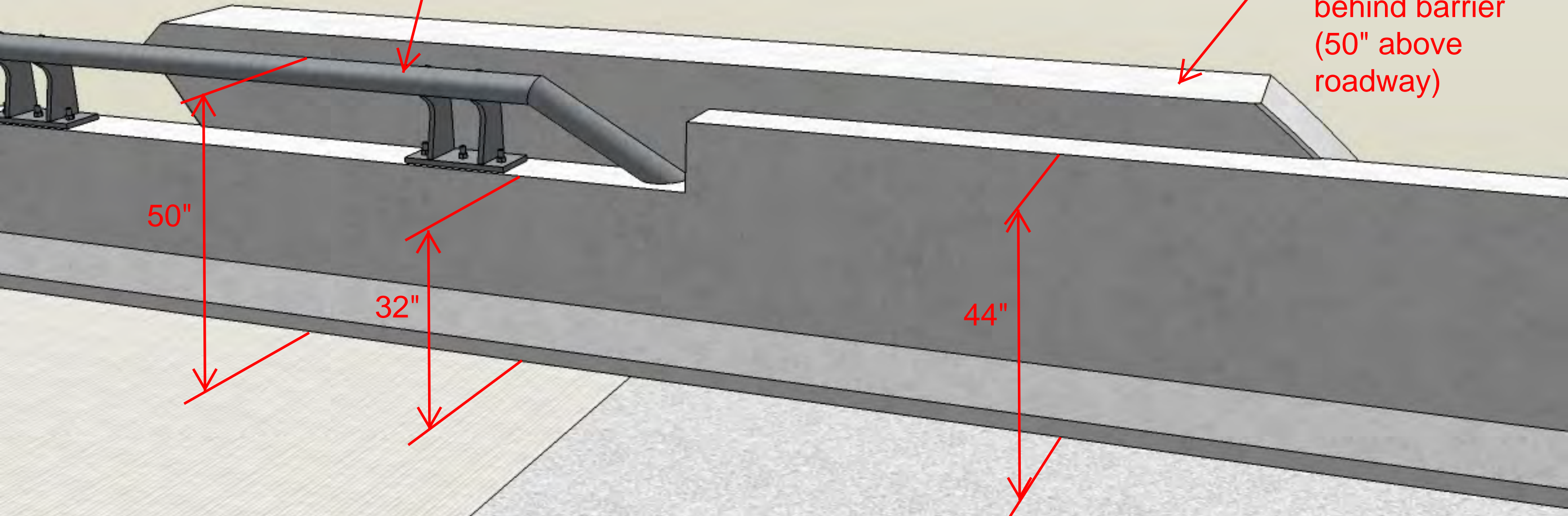


44" TL-5 F-Shape to 50" Texas T80HT Barrier Transition: **Option 1**

Plan View (leading and trailing ends of barrier are identical)

Texas T80HT barrier with standard steel railing details

bridge abutment mask wall behind barrier (50" above roadway)



50"

32"

44"

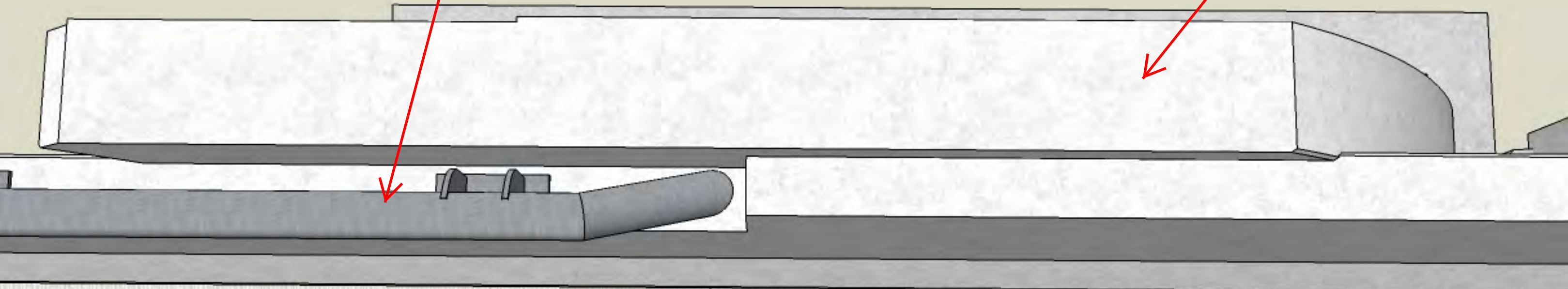
TRAFFIC DIRECTION

# 44" TL-5 F-Shape to 50" Texas T80HT Barrier Transition: Option 2

Leading End Elevation View (leading and trailing ends of barrier are different)

Texas T80HT barrier with  
standard steel railing details

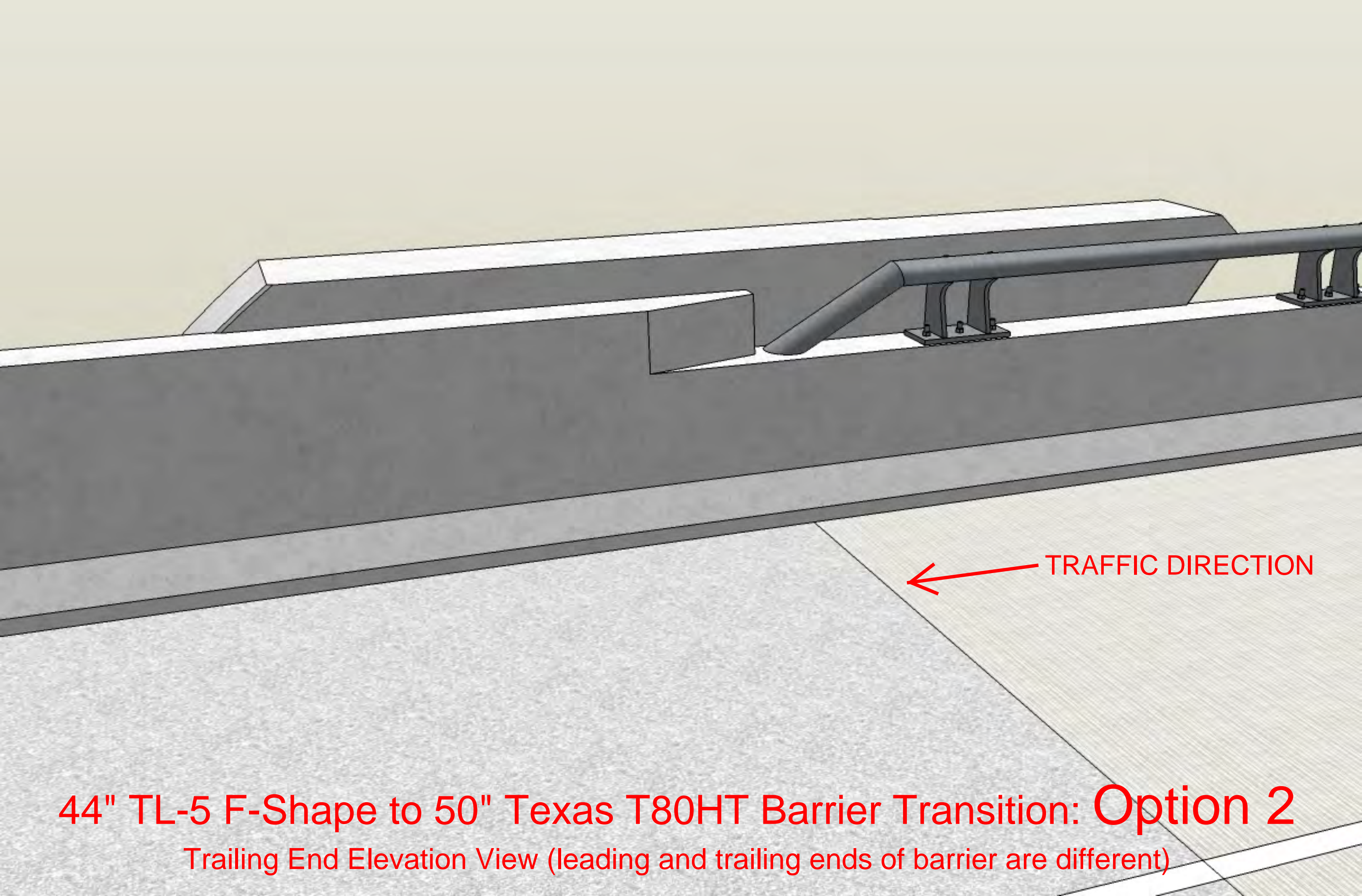
bridge abutment  
mask wall  
behind barrier



← TRAFFIC DIRECTION

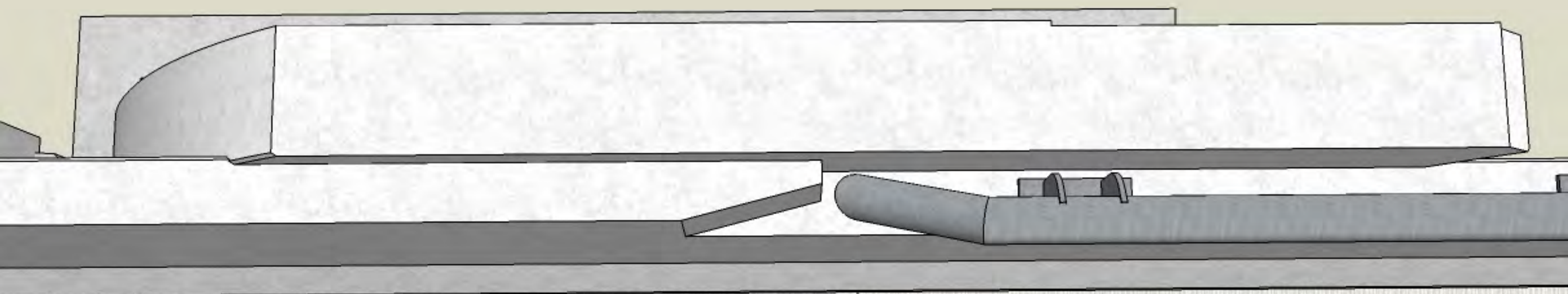
## 44" TL-5 F-Shape to 50" Texas T80HT Barrier Transition: Option 2

Leading End Plan View (leading and trailing ends of barrier are different)



## 44" TL-5 F-Shape to 50" Texas T80HT Barrier Transition: Option 2

Trailing End Elevation View (leading and trailing ends of barrier are different)



← TRAFFIC DIRECTION

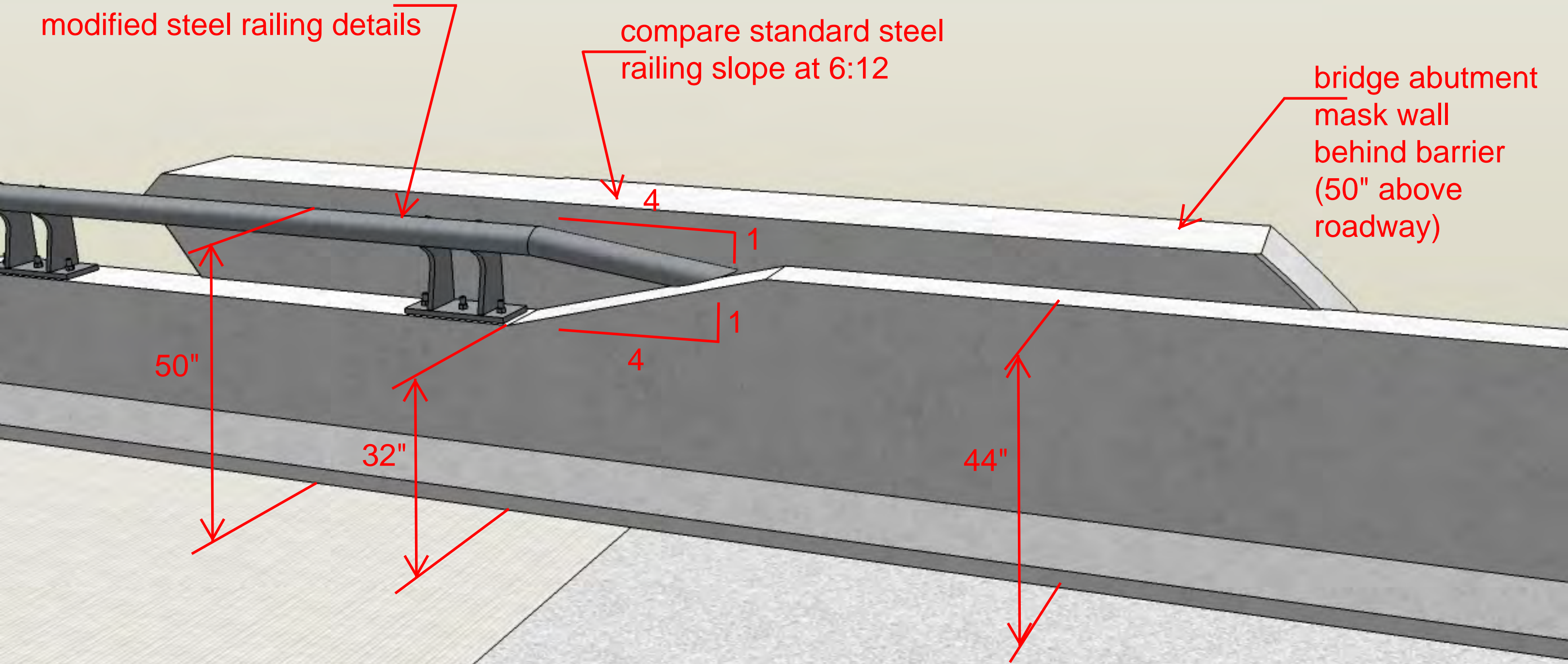
## 44" TL-5 F-Shape to 50" Texas T80HT Barrier Transition: **Option 2**

Trailing End Plan View (leading and trailing ends of barrier are different)

Texas T80HT barrier with modified steel railing details

compare standard steel railing slope at 6:12

bridge abutment mask wall behind barrier (50" above roadway)



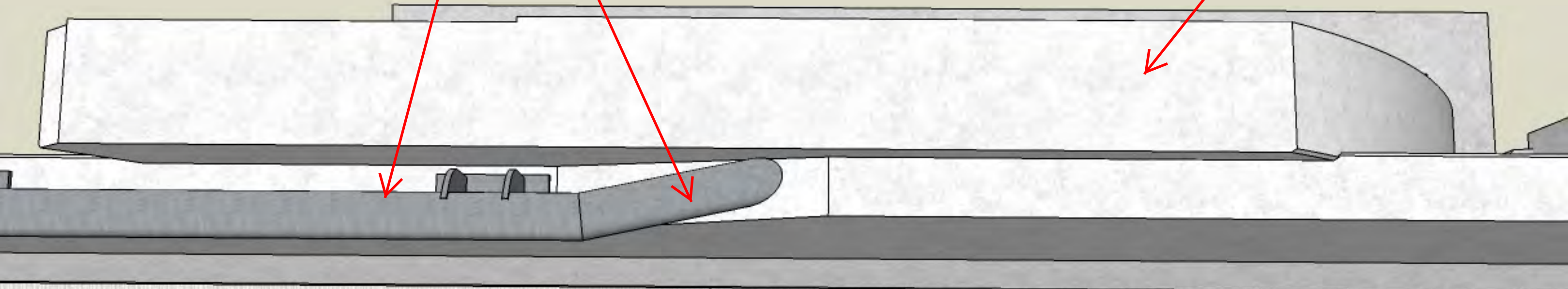
# 44" TL-5 F-Shape to 50" Texas T80HT Barrier Transition: Option 3

Elevation View (leading and trailing ends of barrier are identical)

Texas T80HT barrier with modified steel railing details

matches standard T80HT steel railing setback angle

bridge abutment mask wall behind barrier



## 44" TL-5 F-Shape to 50" Texas T80HT Barrier Transition: Option 3

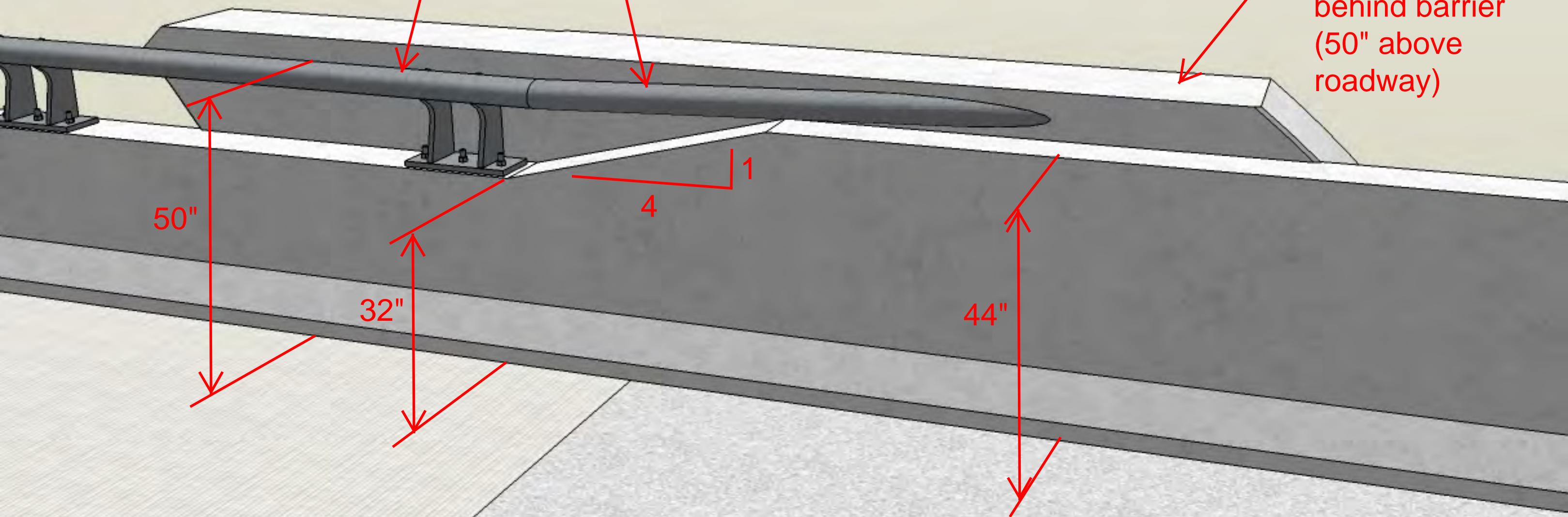
Plan View (leading and trailing ends of barrier are identical)



Texas T80HT barrier with modified steel railing details

steel maintains 50" height throughout entire length

bridge abutment mask wall behind barrier (50" above roadway)



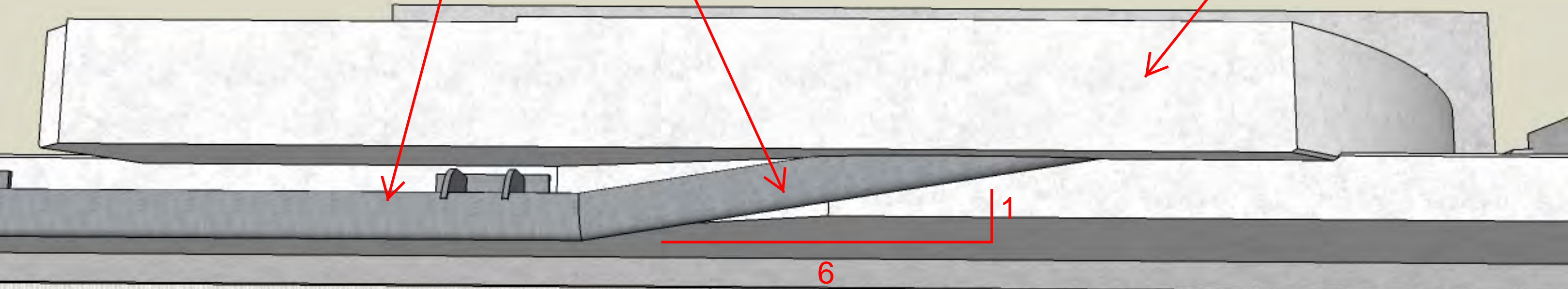
# 44" TL-5 F-Shape to 50" Texas T80HT Barrier Transition: Option 4

Elevation View (leading and trailing ends of barrier are identical)

Texas T80HT barrier with modified steel railing details

matches standard T80HT steel railing setback angle

bridge abutment mask wall behind barrier



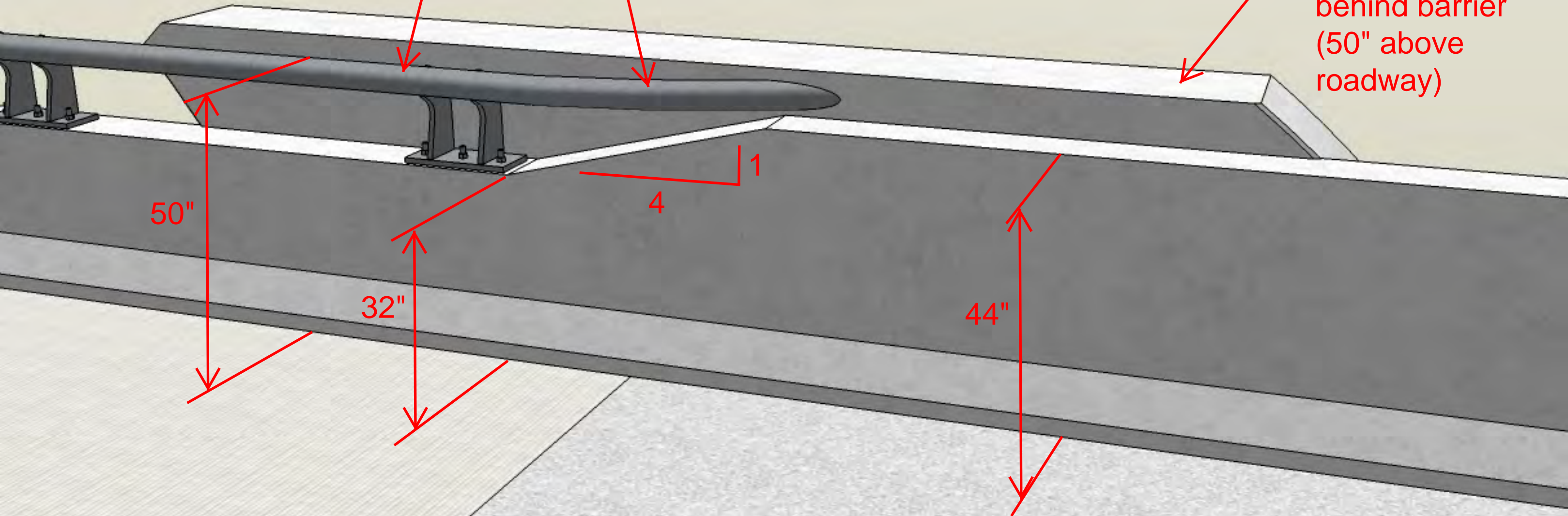
# 44" TL-5 F-Shape to 50" Texas T80HT Barrier Transition: Option 4

Plan View (leading and trailing ends of barrier are identical)

Texas T80HT barrier with modified steel railing details

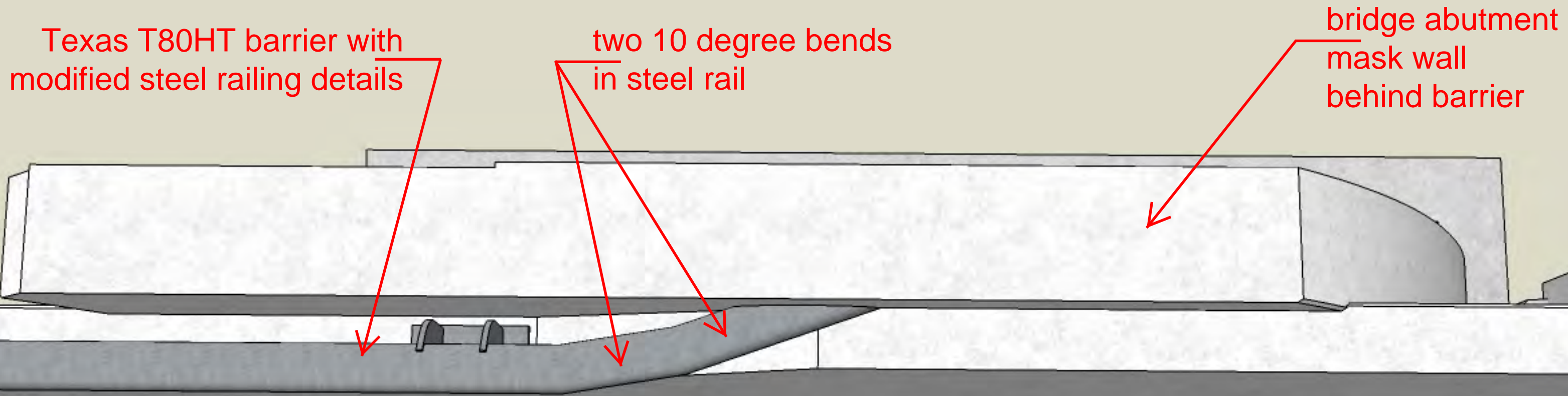
steel maintains 50" height throughout entire length

bridge abutment mask wall behind barrier (50" above roadway)



# 44" TL-5 F-Shape to 50" Texas T80HT Barrier Transition: Option 5

Elevation View (leading and trailing ends of barrier are identical)



Texas T80HT barrier with modified steel railing details

two 10 degree bends in steel rail

bridge abutment mask wall behind barrier

# 44" TL-5 F-Shape to 50" Texas T80HT Barrier Transition: Option 5

Plan View (leading and trailing ends of barrier are identical)