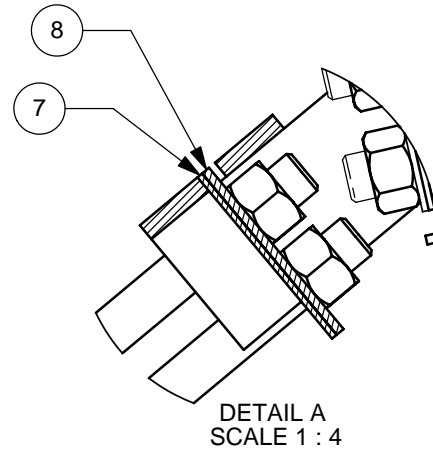
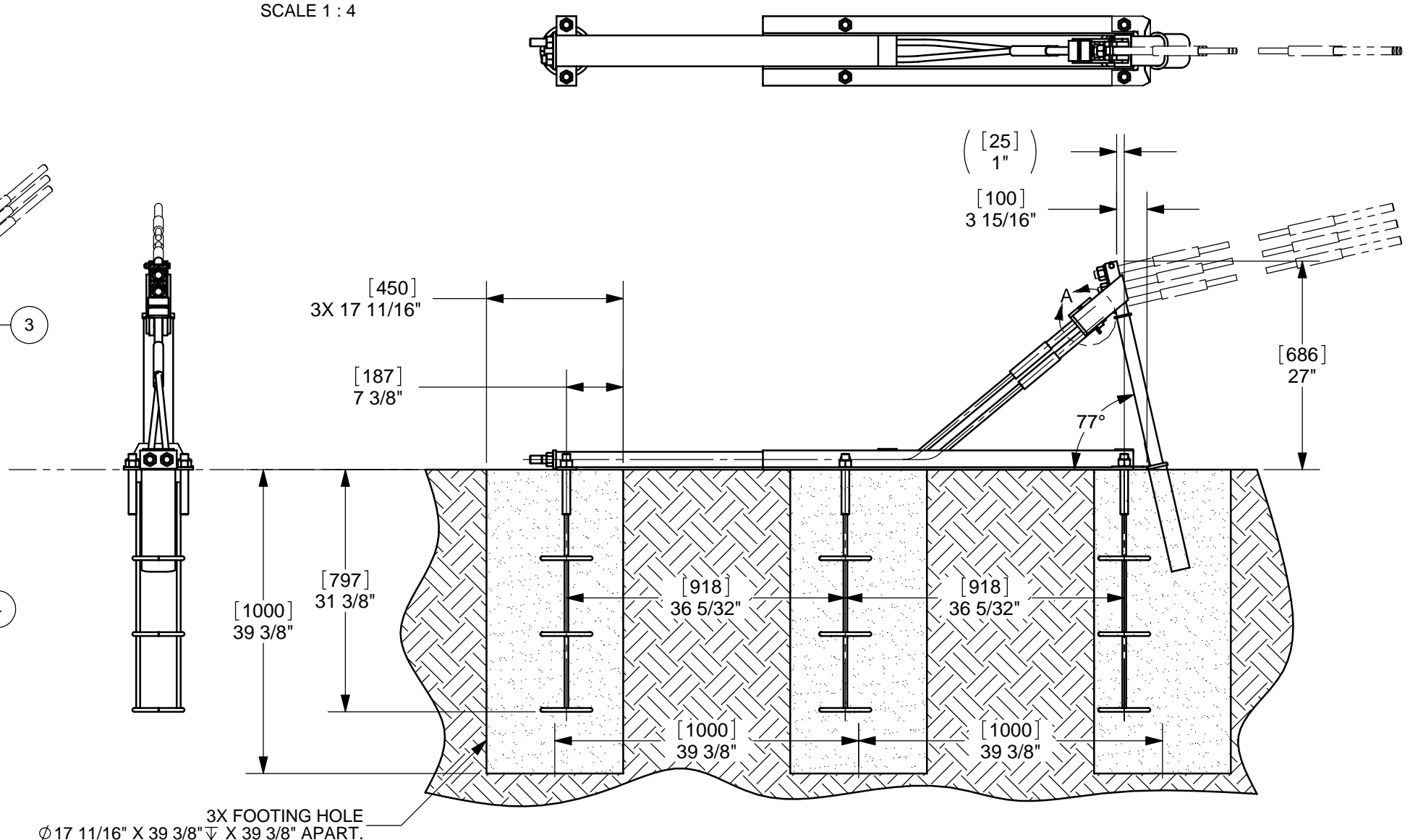
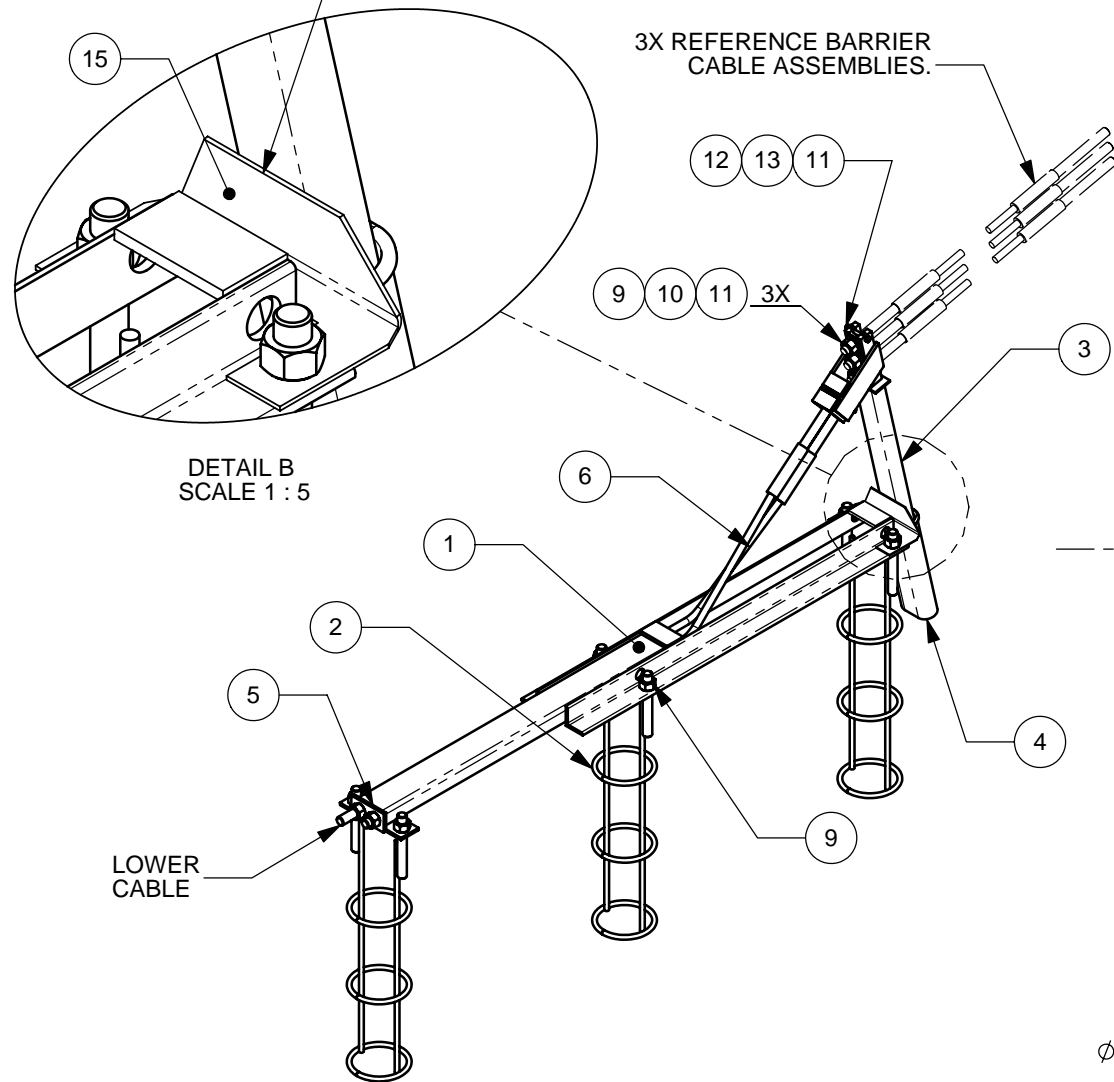


NOTES: UNLESS OTHERWISE SPECIFIED
1. DIMENSIONS SHOWN ARE REFERENCE.



Item	Qty	Part Description	Part#	U/M
1	1.00	GROUND STRUT ASSY, WELDMENT, HTC	B061132	EACH
2	3.00	GROUND STRUT FOUNDATION REINFORCING WELDMENT	B061136	EACH
3	1.00	TRIGGER POST ASSY, WELDMENT,	B061133	EACH
4	1.00	SOCKET, WIRE ROPE POST, HTC	B061130	EACH
5	1.00	WASHER, CABLE ASSY, HIGH TENS	B061112	EACH
6	2.00	CABLE ASSY, HIGH TENSION CABLE BARRIER	B061138	EACH
7	1.00	WASHER, POLYETHYLENE, HTC	B061119	EACH
8	1.00	WASHER, CABLE ASSY, HIGH TENS	B061118	EACH
9	9.00	Nut HN 1-8 A563 MGal	2001637	EACH
10	3.00	WASHER, POLYETHYLENE, HTC	B061120	EACH
11	3.00	Wshr SAE 1 MGal	2001638	EACH
12	1.00	C-scr HH 3/8-16x3 Gr5 MGal	2001639	EACH
13	1.00	Wshr SAE 3/4 HD MGal	2001630	EACH
14	1.00	Nut HN 3/8-16 Gr5 MGal	2001641	EACH
15	15.00	BASE PLATE, TRIGGER POST SUPPO	B070515	EACH

INSERT TRIGGER POST WITH PLASTIC SOCKET INTO CONCRETE FOOTING HOLE. USE BRACKET TO POSITION POST PER INDICATED DIMENSIONS.



© 2006 Barrier Sytems Inc. The information heron is proprietary to Barrier Systems Inc. shall not be disclosed, duplicated or used otherwise without the express written approval of Barrier Systems Inc.							SCALE: 1:18	Standard Tolerance	BARRIER SYSTEMS INC 180 RIVER RD, RIO VISTA, CA 94571 TEL: 707-374-6800 FAX: 707-374-6801	SHEET	DRAWING NUMBER	REV
							DRAWN BY	Angular ± 1/2°				
							DATE	Fractional ± 1/16"				
							INIT	Dec .XXX= ± .010				
						APPR'D BY	Dec .XX= ± .030	1 OF 1		B061139	A	
						TITLE:	HIGH TENSION CABLE BARRIER, TERMINAL END DETAIL					
REV.	CHANGES	DATE	BY	REQ'D	NEXT ASSY.	ITEM						