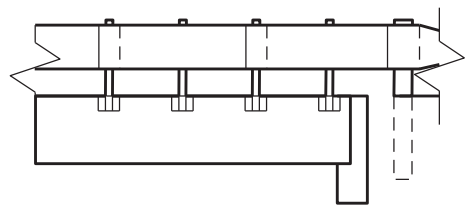


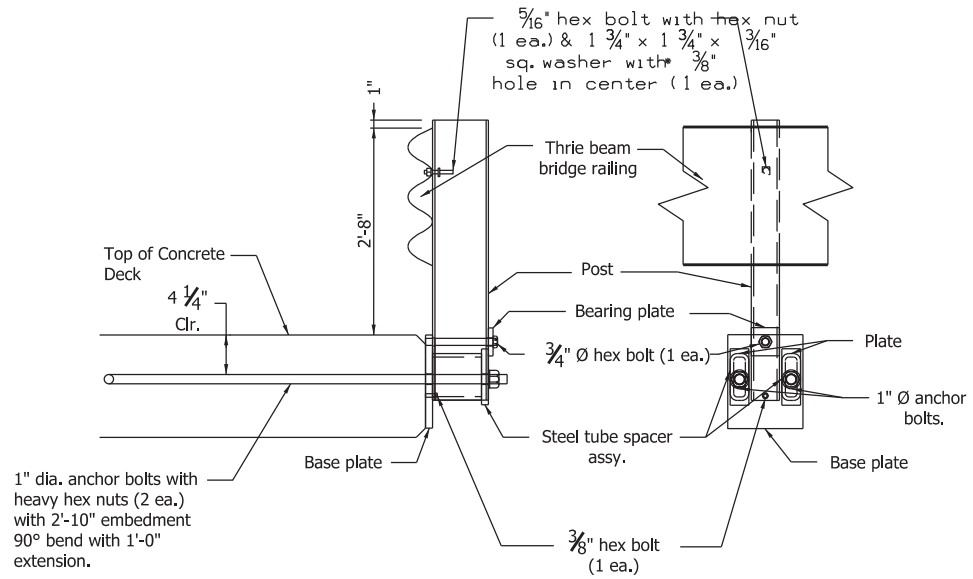
PLAN VIEW



ELEVATION VIEW

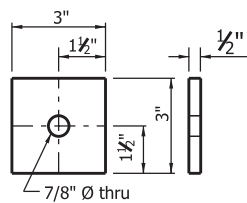
NOTES:

- 1 See Standard Drawings E 601-TBGC-01 and -02 for thrie beam rail section.

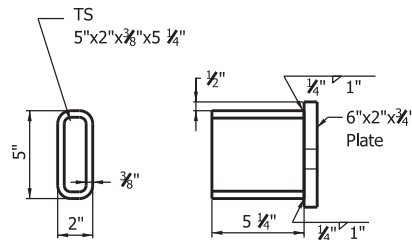


THRIE-BEAM BRIDGE RAILING ASSEMBLY DETAILS

INDIANA DEPARTMENT OF TRANSPORTATION
RAILING, TS-1



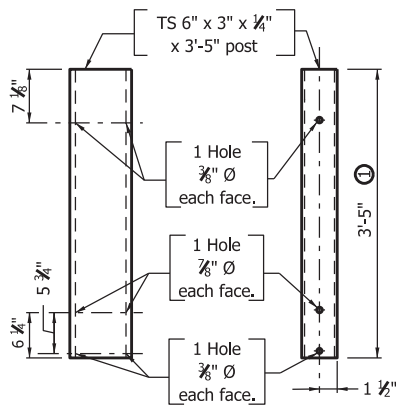
BEARING PLATE



STEEL TUBE SPACER ASSEMBLY

NOTES:

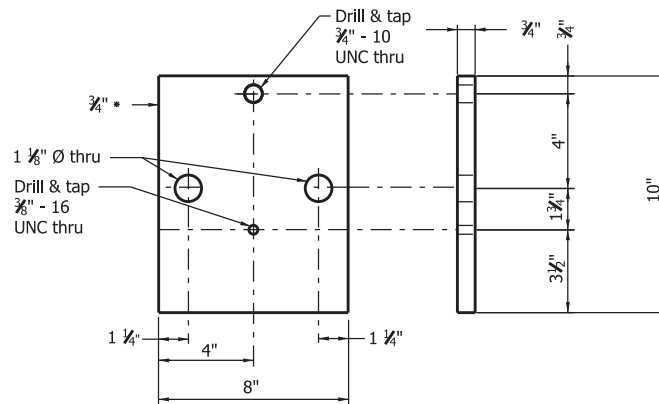
- ① Post length may vary. If the 1" \* anchor bolts in the deck must be lowered to accommodate the deck reinforcing steel, the steel base plate shall be lowered and the post length increased.



SECTION

REAR VIEW

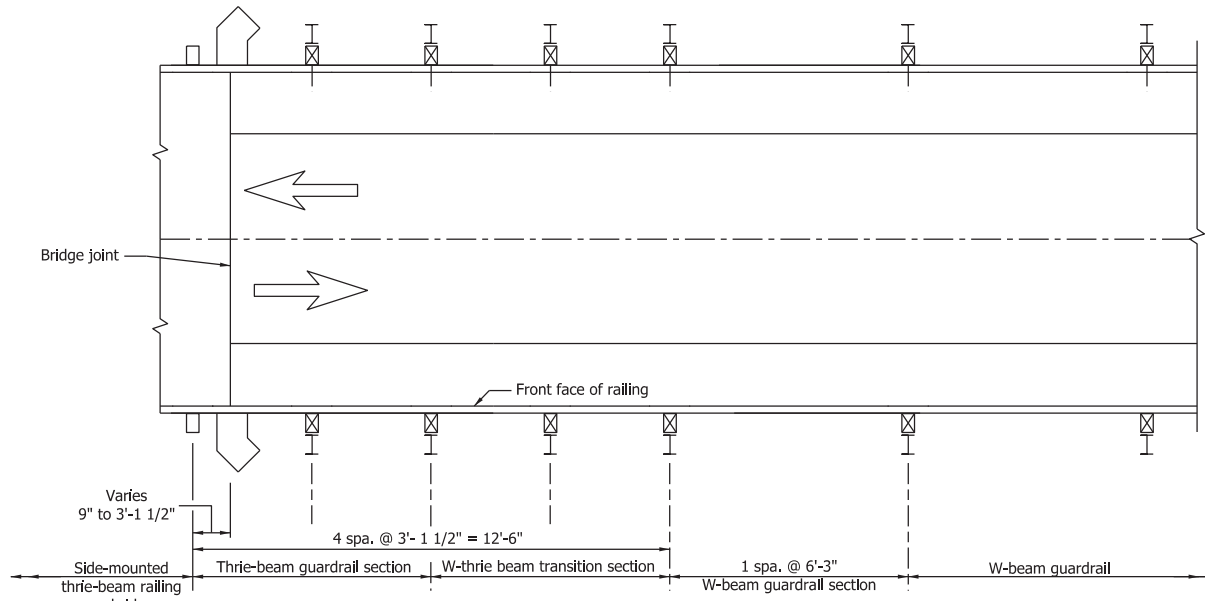
BRIDGE STEEL POST DETAIL



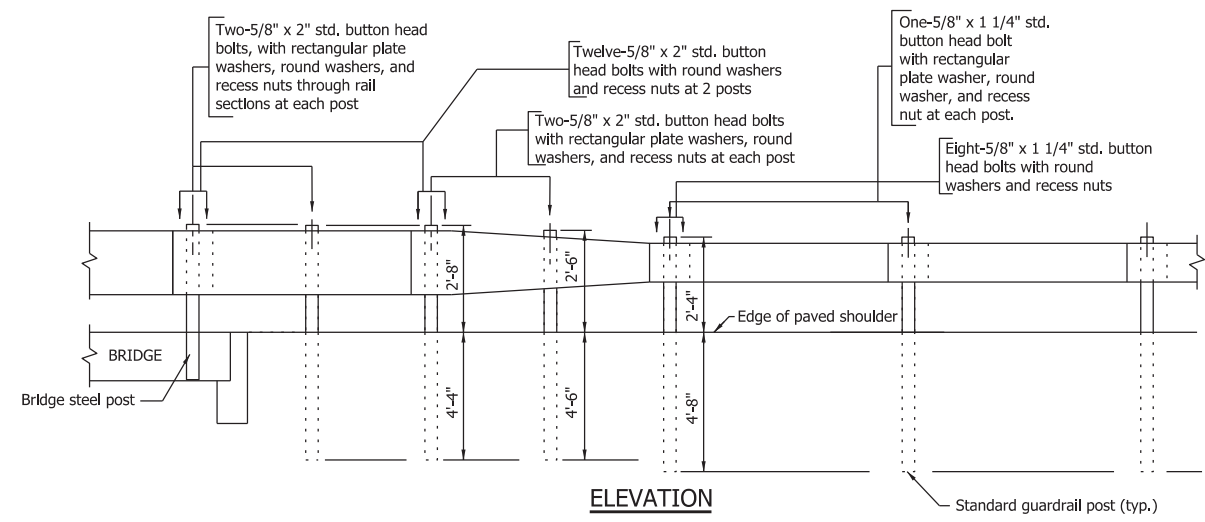
BASE PLATE

INDIANA DEPARTMENT OF TRANSPORTATION

RAILING, TS-1



**PLAN VIEW**



**ELEVATION**

**NOTES:**

1. See Recurring Plan Detail E 706-B-140d 1 of 3, for bridge Steel Post Detail.
2. See Standard Drawings E 601-TBGC-01 and E 601-TBGC-02 for thrie-beam guardrail components.
3. See Standard Drawings E 601-WBGC-01, E 601-WBGC-02 and E 601-WBGC-03 for W-beam guardrail components.

INDIANA DEPARTMENT OF TRANSPORTATION
GUARDRAIL TRANSITION, TGS-1