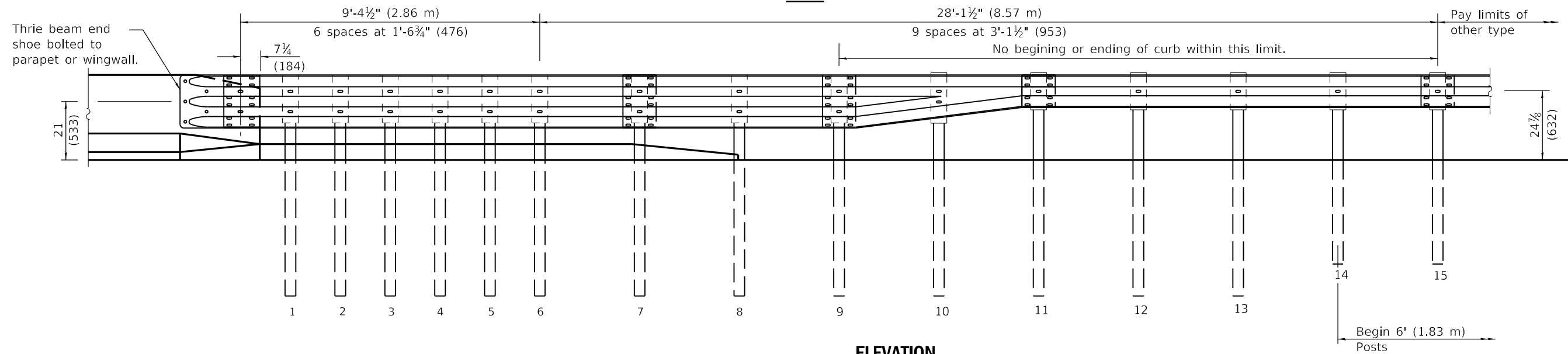
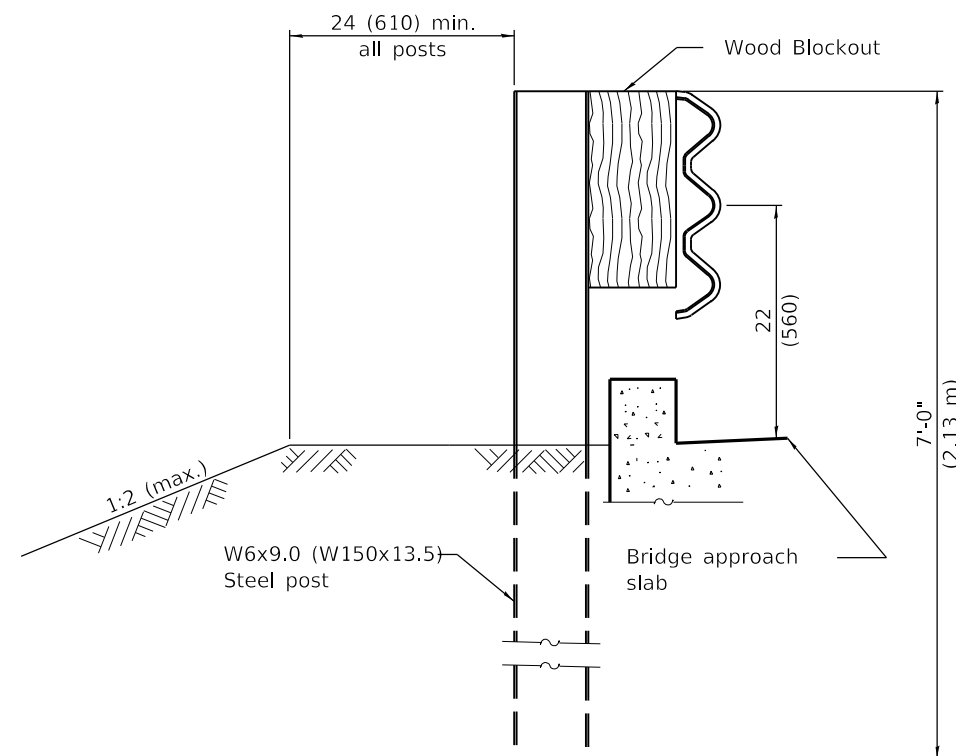


PLAN



ELEVATION



SECTION A-A

GENERAL NOTES

- See Standard 630001 for details of guardrail not shown.
- Thrie beam rail shall be bolted to block-out at all posts.
- All slope ratios are expressed as units of vertical displacement to units of horizontal displacement (V:H).
- All dimensions are in inches (millimeters) unless otherwise shown.

DATE	REVISIONS
1-1-17	Revised length of thrie beam. Revised length of posts.
4-1-16	Changed 'Bridge approach pavement' to 'Bridge approach slab'.

TRAFFIC BARRIER TERMINAL, TYPE 6

(Sheet 1 of 3)

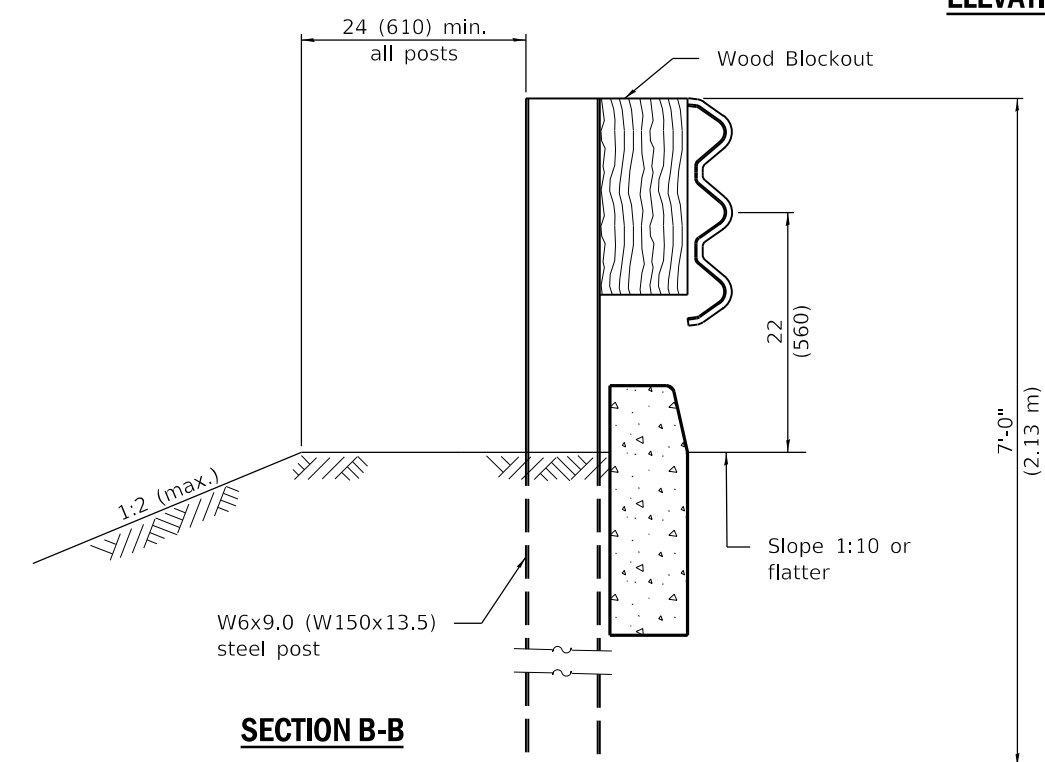
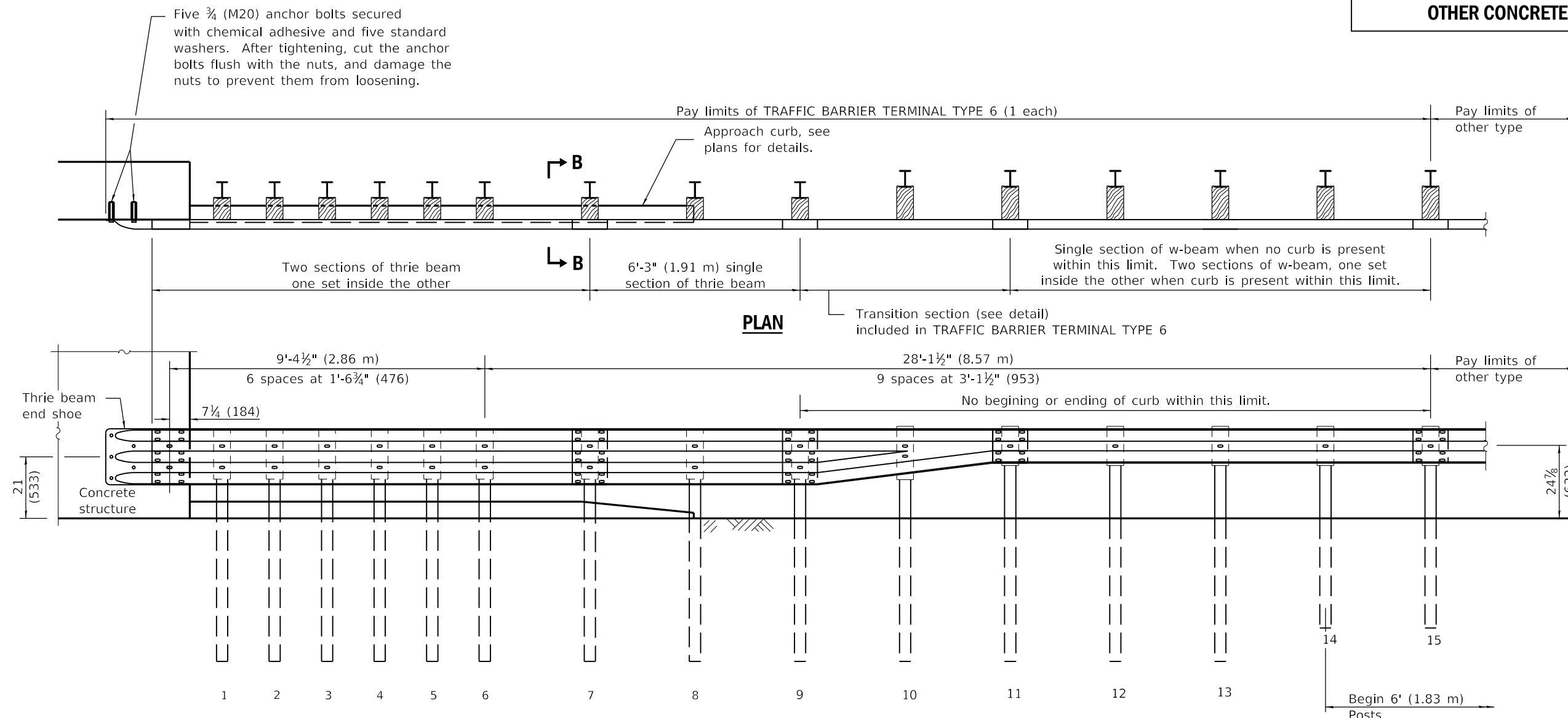
STANDARD 631031-15

Illinois Department of Transportation

PASSED January 1, 2017
Michael Beard
 ENGINEER OF POLICY AND PROCEDURES

APPROVED January 1, 2017
Marcus M. Adams
 ENGINEER OF DESIGN AND ENVIRONMENT

ISSUED 1-1-97



**TRAFFIC BARRIER
TERMINAL, TYPE 6**

(Sheet 2 of 3)

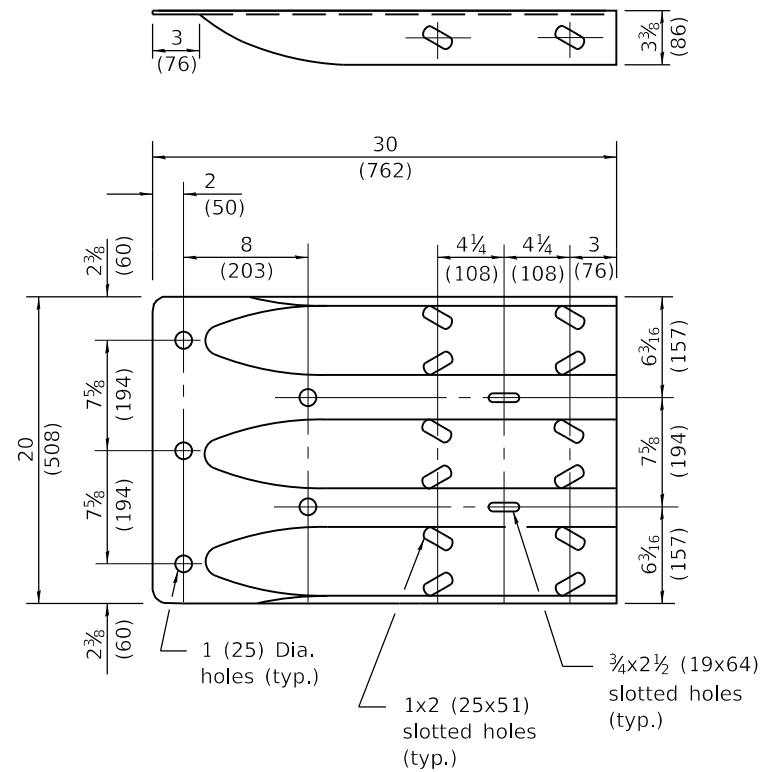
STANDARD 631031-15

Illinois Department of Transportation

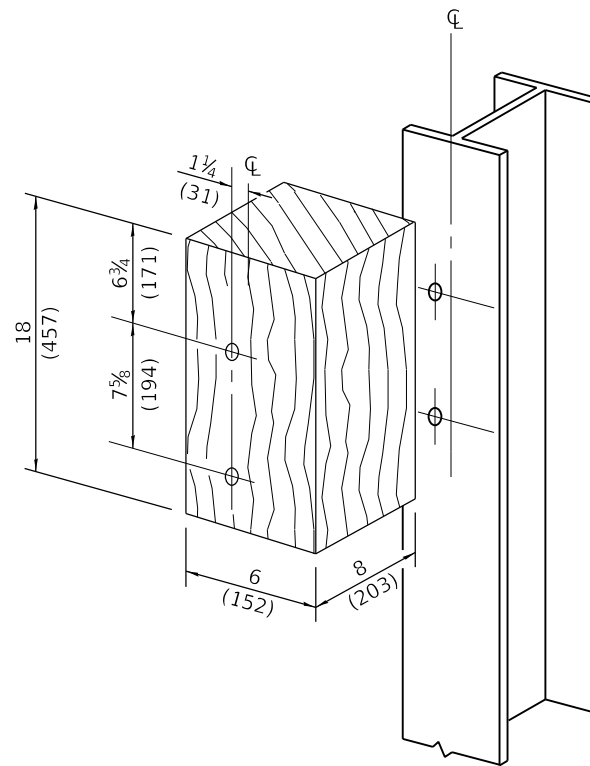
PASSED January 1, 2017
Michael Beard
ENGINEER OF POLICY AND PROCEDURES

APPROVED January 1, 2017
Marcus M. Beck
ENGINEER OF DESIGN AND ENVIRONMENT

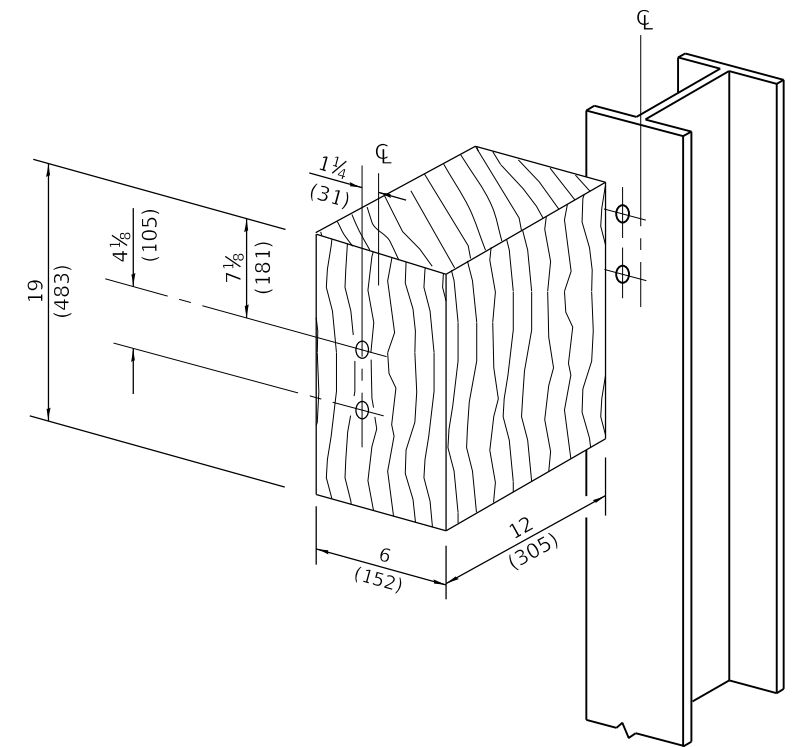
ISSUED 1-1-97



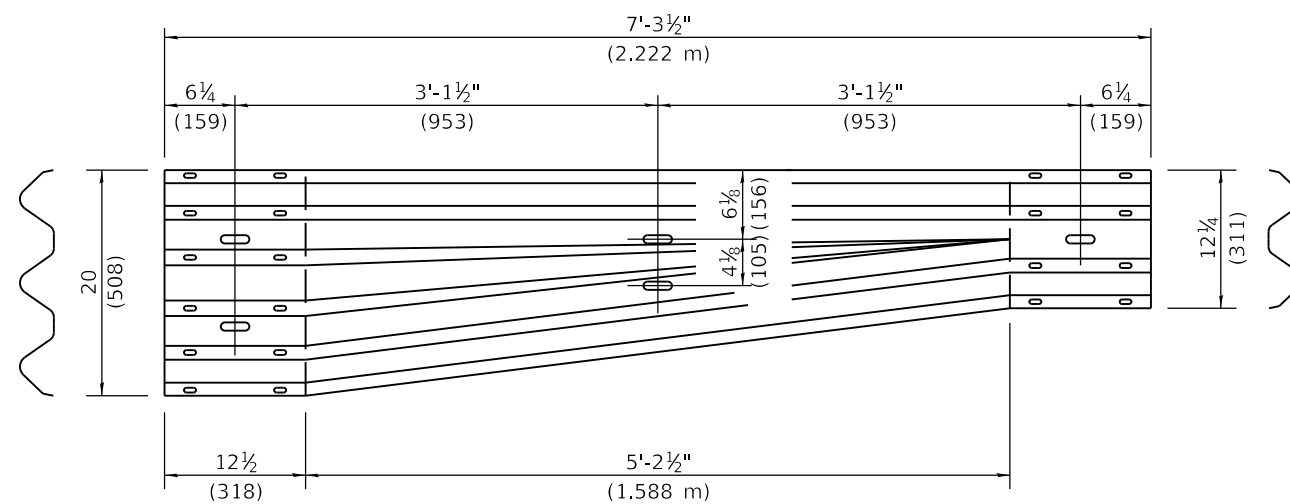
THRIE BEAM END SHOE DETAIL



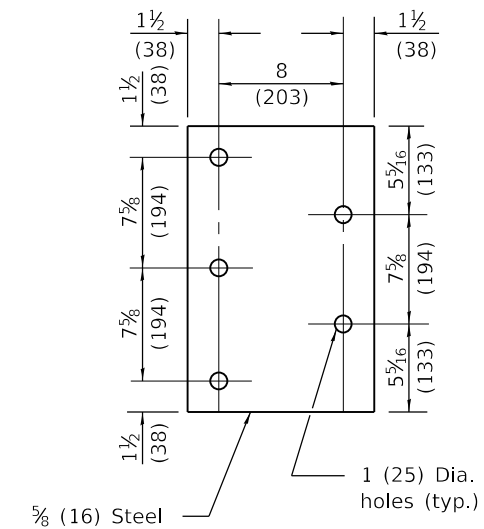
POSTS 1-9 WOOD BLOCKOUT DETAIL



POST 10 WOOD BLOCKOUT DETAIL
(See Standard 630001 for post 11-15 blockouts.)



TRANSITION SECTION
(10 gauge (3.4) rail element)



PARAPET STEEL BEARING PLATE DETAIL
(5 each individual 5x5x3/8 (125x125x16) steel plates with centered 1 (25) holes may be substituted for the plate shown.)