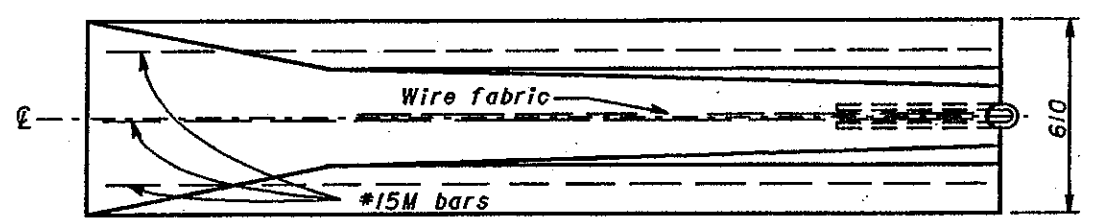
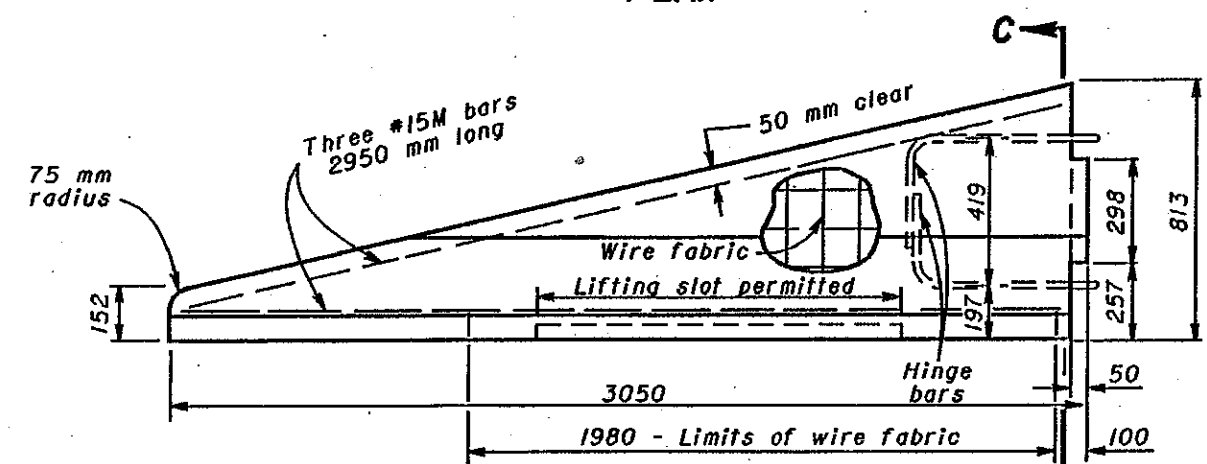


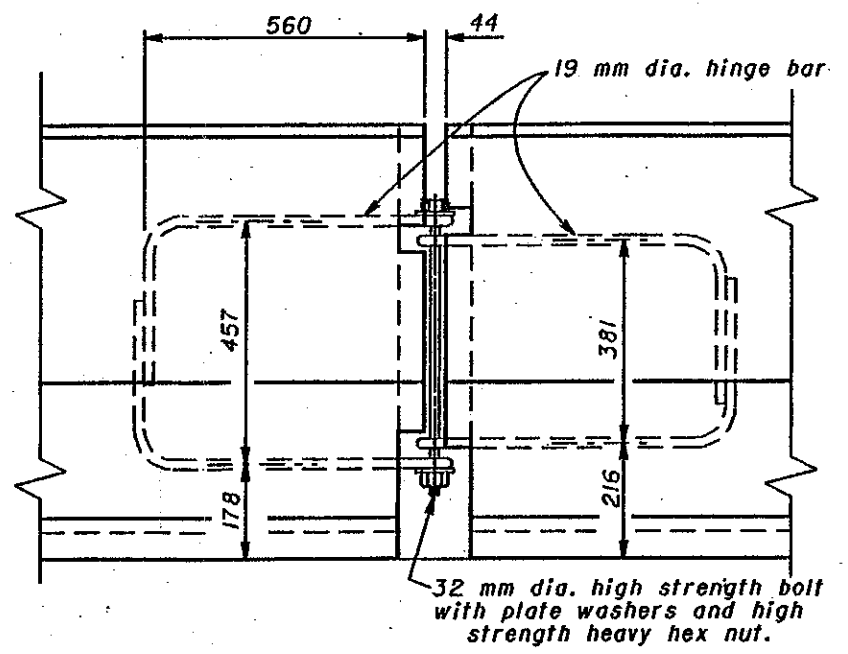
**ELEVATION BARRIER DETAILS**



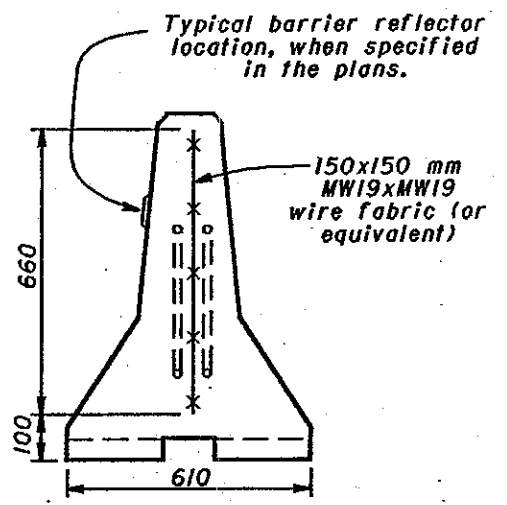
**PLAN**



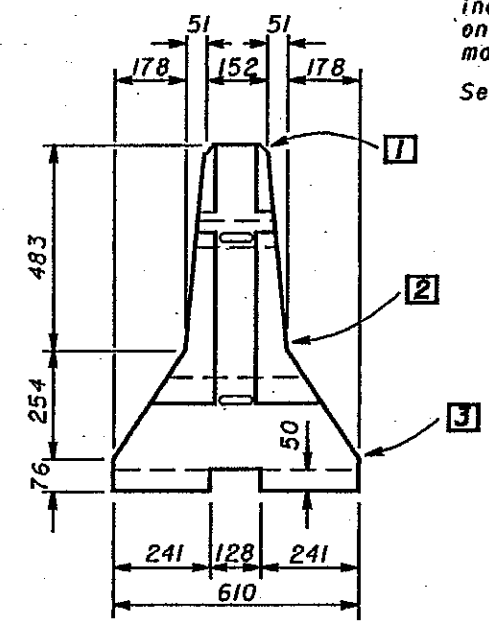
**ELEVATION TAPERED END SECTION DETAILS**



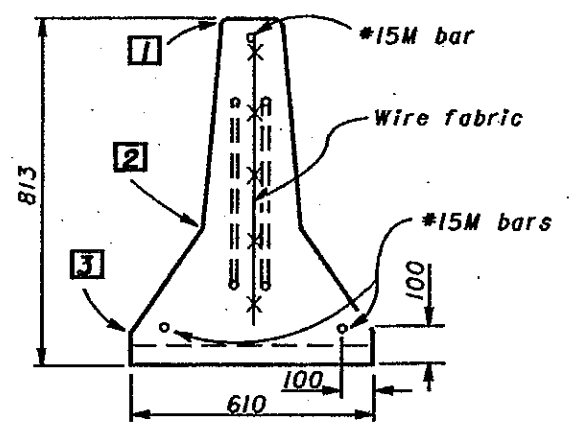
**DETAIL AT HINGED CONNECTION**



**SECTION A-A**

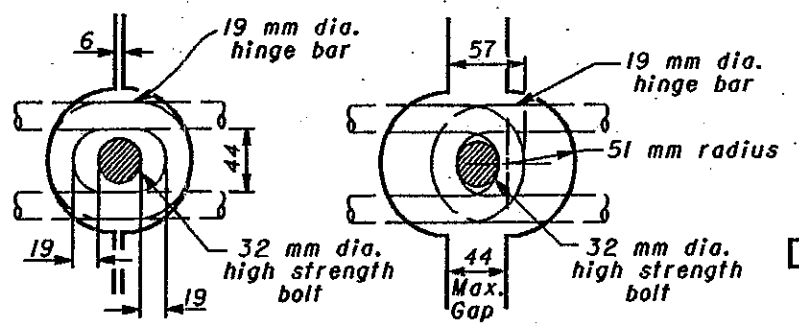


**VIEW B-B**



**SECTION C-C**

All dimensions are in millimeters unless otherwise noted.



**CLOSED JOINT**

Barriers shall initially be placed close together so that bolts can be easily inserted through hinge bar loop.

**OPEN JOINT**

Barrier joints shall be fully open before the nut is tightened onto bolt.

**JOINT CONNECTION DETAILS**

**NOTES**

**PORTABLE CONCRETE BARRIER (PCB):** PCB, as shown, shall not be used on bridge deck edges. PCB, Bridge Mounted shall be used at such locations in accordance with the Bureau of Bridges Standard Drawing PCB-91.

**WIRE FABRIC:** Shall meet the requirements of CMS 709.10.

**CONNECTING HARDWARE:** Bolts, washers and hex nuts shall meet the requirements of CMS 711.09 and be galvanized after fabrication per CMS 711.02.

**HINGE AND REINFORCING BARS:** The 19 mm hinge bars and #15M reinforcing bars shall meet the requirements of CMS 509.02.

**HANDLING DEVICES:** Such devices may be used in lieu of the lifting slot for moving the barrier. They may be of any design sufficient to handle the weight of the section being lifted. No handling devices shall protrude from the surface of the barrier when in place.

**MARKING:** All barrier segments shall be marked as shown, where XX indicates the year cast. These markings shall be permanently impressed in the barrier using a minimum of 50 mm high lettering. Each segment shall have, on its top, a unique identification as to its manufacturer and, somewhere on the barrier, the day and month the barrier was manufactured.

See CMS 622 for additional information.



This Drawing Replaces MC-9.2.

BUREAU OF LOCATION AND DESIGN OHIO DEPARTMENT OF TRANSPORTATION	
<b>813 mm PORTABLE CONCRETE BARRIER</b>	DATE 6-30-95
STANDARD CONSTRUCTION DRAWING <b>RM-4.2M</b>	
APPROVED <i>D.K. Hulman</i> ENGR., L & D	

**LEGEND**

- 1 25 mm radius or 19 mm chamfer, all top and end corners.
- 2 Permissible 250 mm radius.
- 3 Permissible 25 mm radius.