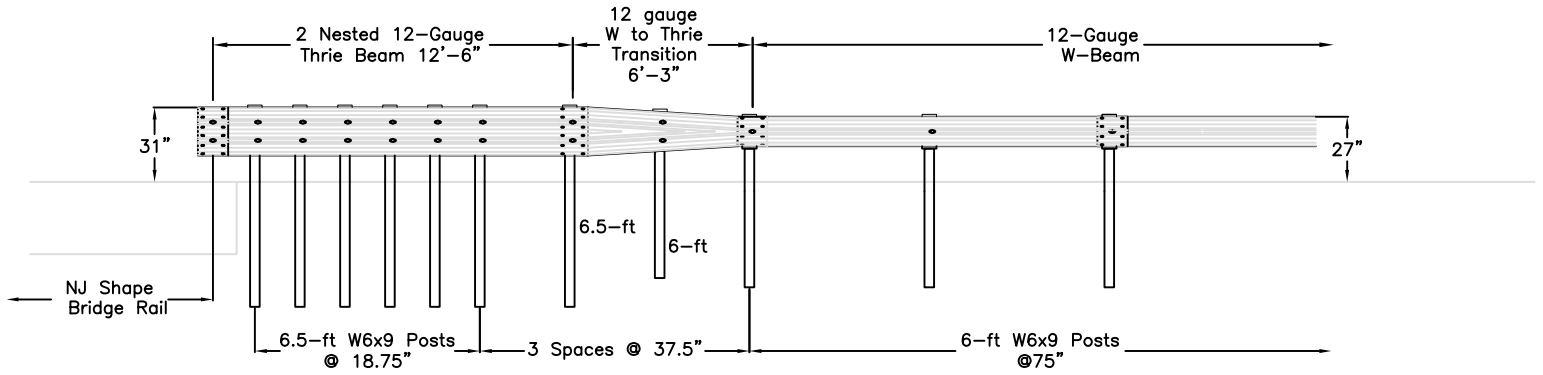
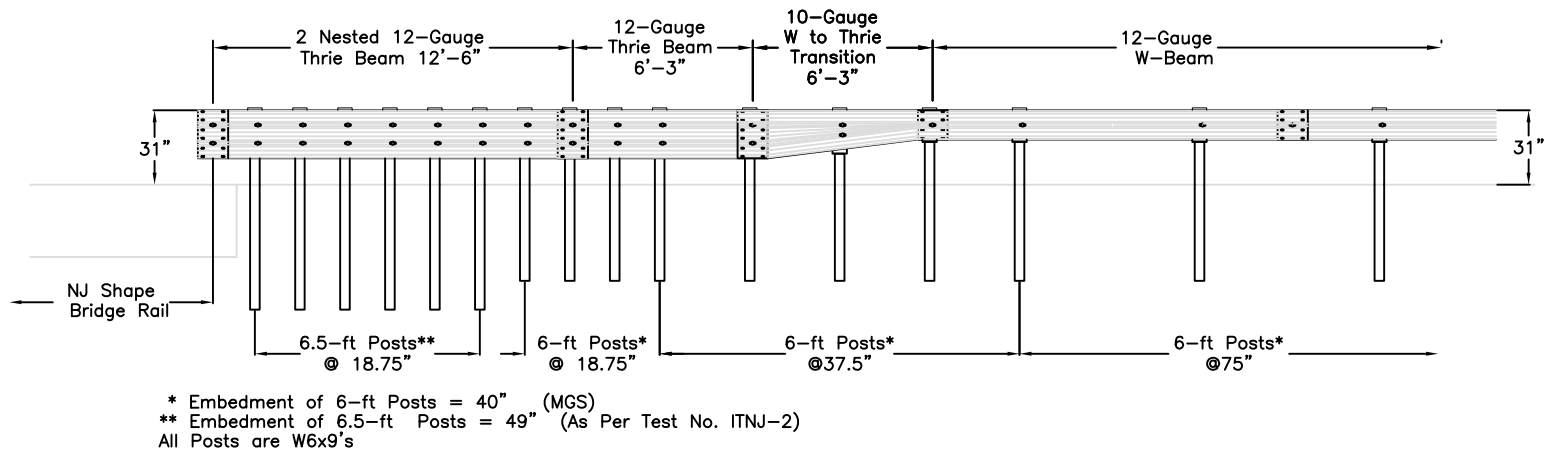


ITNJ Testing Series

Iowa Transition to NJ Shape Bridge Rail



Adapted Iowa Transition



MWTSP Testing Series

Successfully Tested MGS Approach Transition

