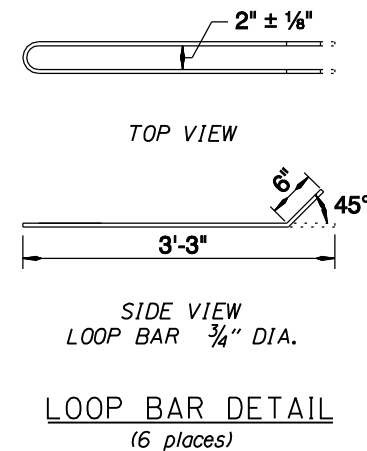
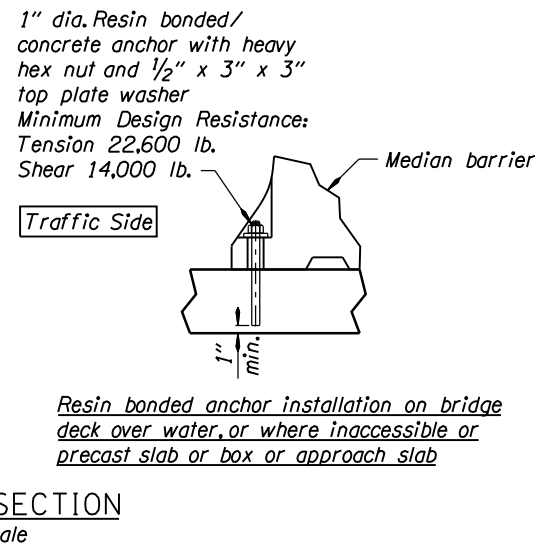
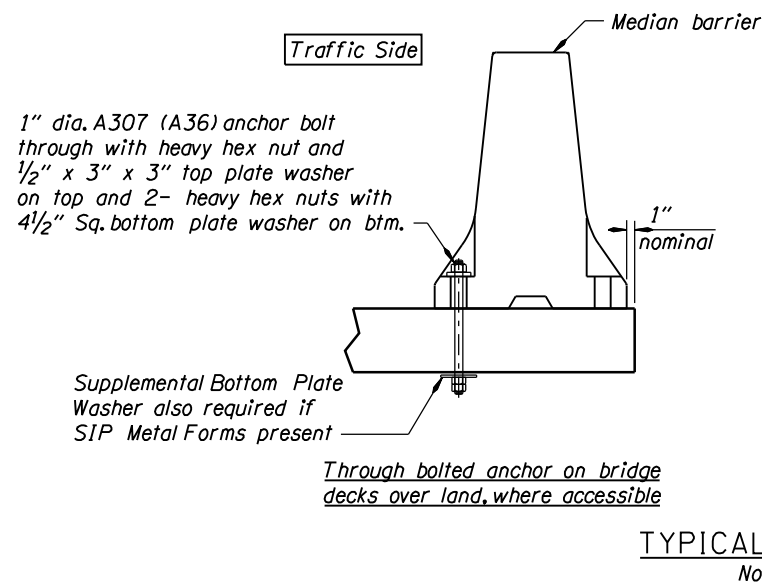
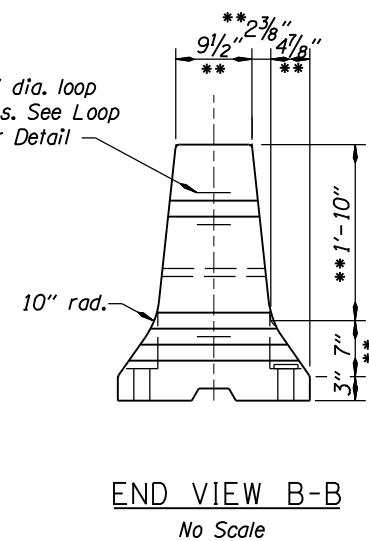
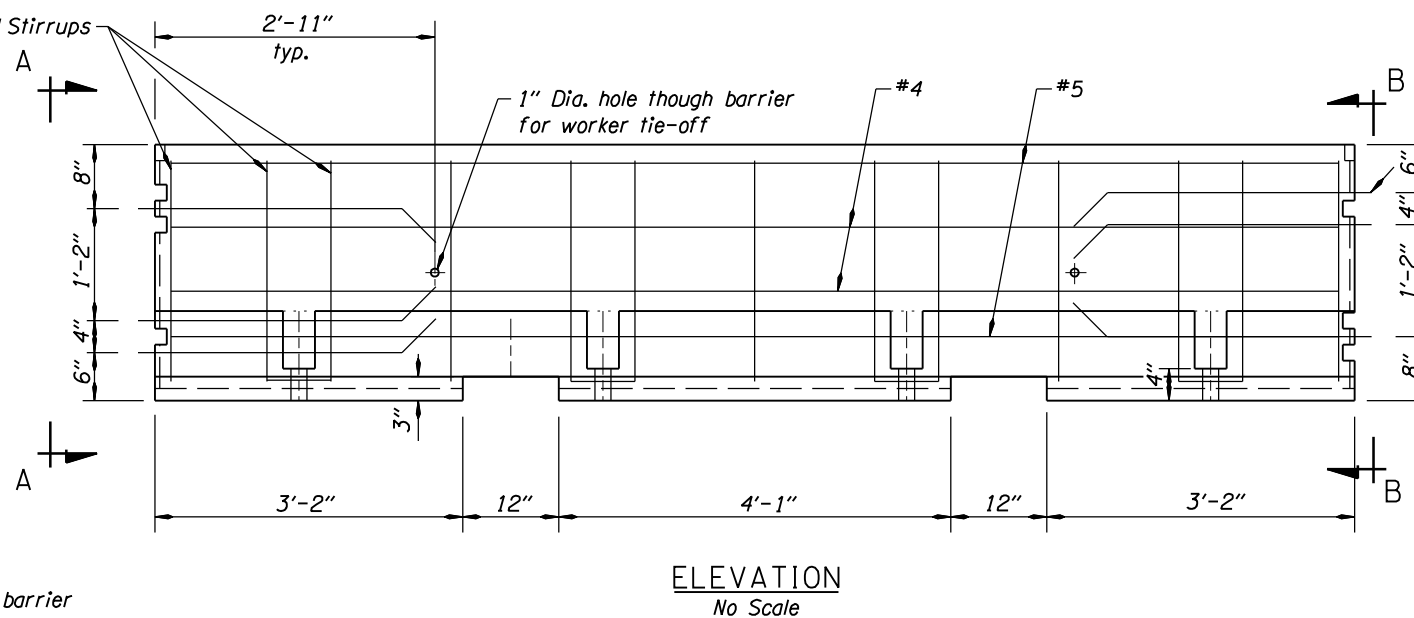


\*\* Dimensions marked thus are to the intersection point of the barrier slopes. Construct the 10" radius to provide a smooth transition between the slopes.



Note: See drawing RD500 for forming details not shown.

Accompanied by DET 3295, RD500, RD515

The selection and use of this detail, while designed in accordance with generally accepted engineering principles and practices, is the sole responsibility of the user and should not be used without consulting a Registered Professional Engineer.

<b>OREGON DEPARTMENT OF TRANSPORTATION TECHNICAL SERVICES DETAILS</b>	
<b>TEMPORARY PRECAST CONCRETE BARRIER PIN AND LOOP/ANCHORS 2</b>	DETAIL NO. <b>DET3296</b>