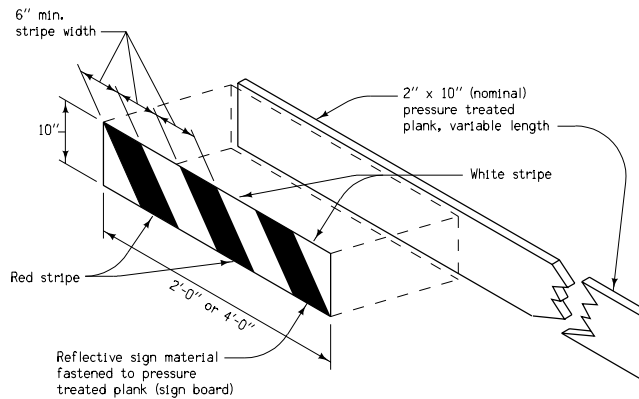


PLAN - TYPICAL INSTALLATION

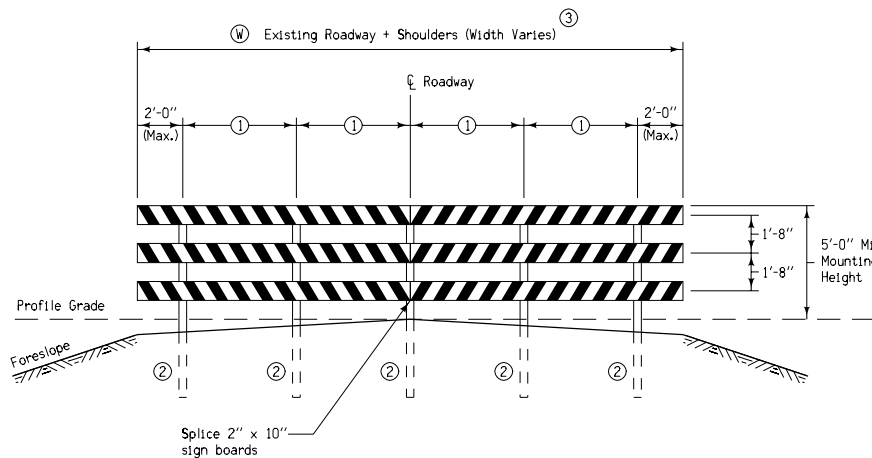


DETAILS OF SIGN BOARD CONSTRUCTION

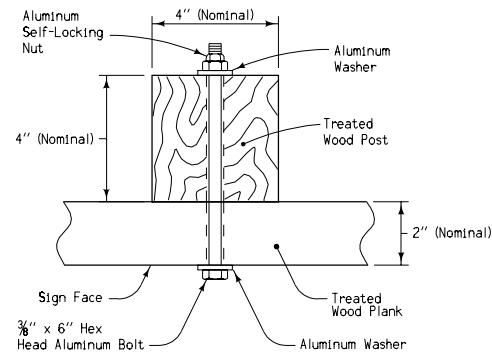
GENERAL NOTES:

Price bid for "RE-3A Permanent Road Closure (Rural)", per linear foot, shall be considered full compensation for furnishing and installing the barricade as shown hereon and as indicated on project plans. The cost to furnish and install the "DEAD END" sign shall be included in the price bid for "RE-3A Permanent Road Closure (Rural)".

- ① Evenly spaced (max. 5'-0").
- ② 4" x 4" x 10'-0" (nominal) pressure treated wood posts.
- ③ Method of Measurement: The length of the permanent road closure barricade will be measured in linear feet.  
Basis of Payment: For the length of barricade installed as determined in this standard, the contractor will be paid the contract unit price per linear feet.



TYPICAL APPROACH VIEW  
(TYPE III BARRICADE)



TOP VIEW  
WOOD POST ERECTION DETAILS

<b>STANDARD ROAD PLAN RE-3A</b>	
REVISION: Change length of wood posts from 8' to 10'.	REVISION NO. 6
<i>William J. Sten</i> APPROVED BY DESIGN METHODS ENGINEER	REVISION DATE 04-20-04
<b>PERMANENT ROAD CLOSURE (RURAL)</b>	