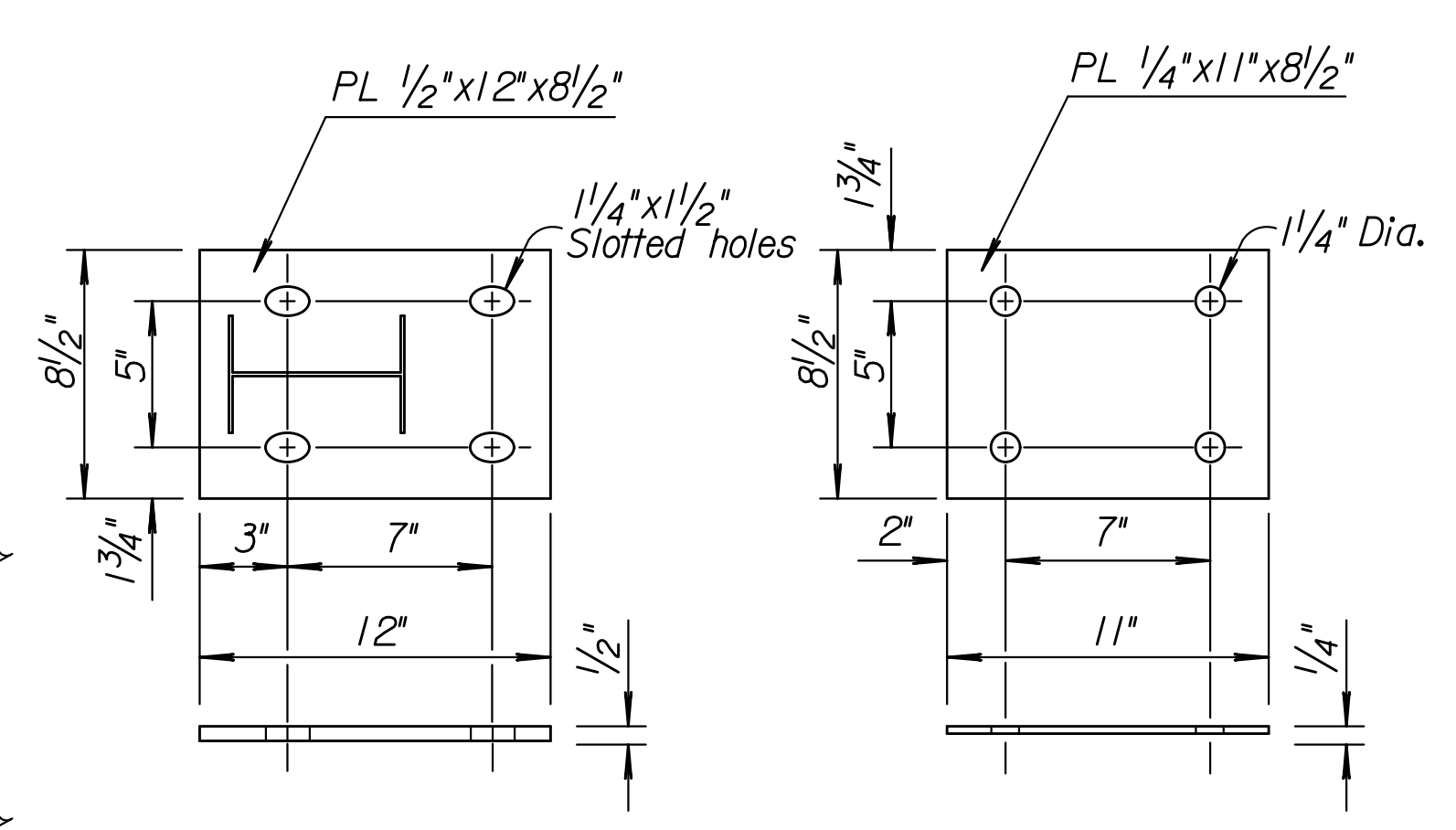
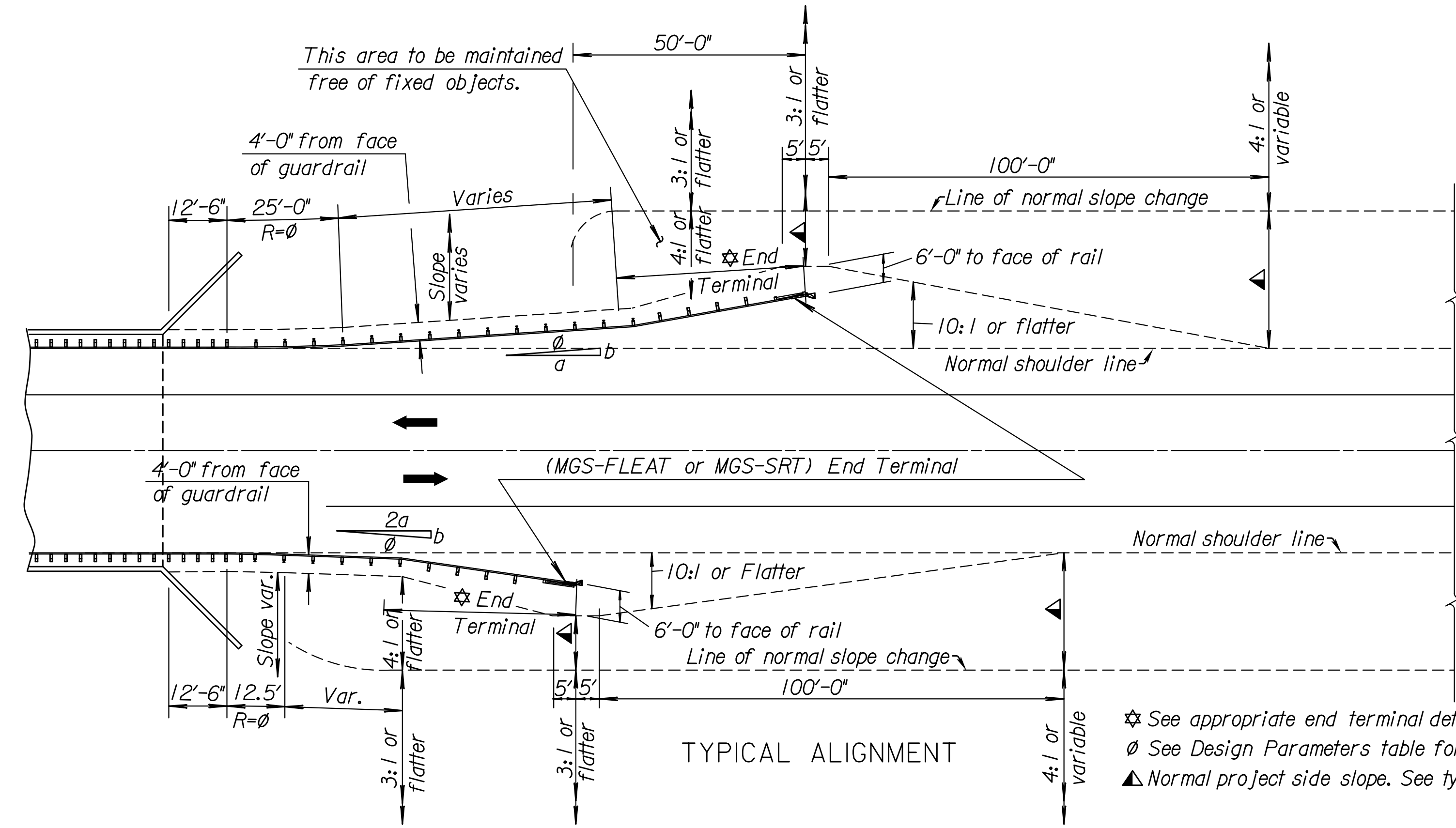


Notes to Designer: Determine guardrail length of need using either KDOT's Length of Need Equation or a graphic design approach with an L₁ distance measured from the edge of the area of concern to the P.I. of the curved guardrail section.

Plotted: 06-JUL-2015 13:15

Drawn By: tfrroads
File: rd617e.dgn

STATE	PROJECT NO.	YEAR	SHEET NO.	TOTAL SHEETS
KANSAS				

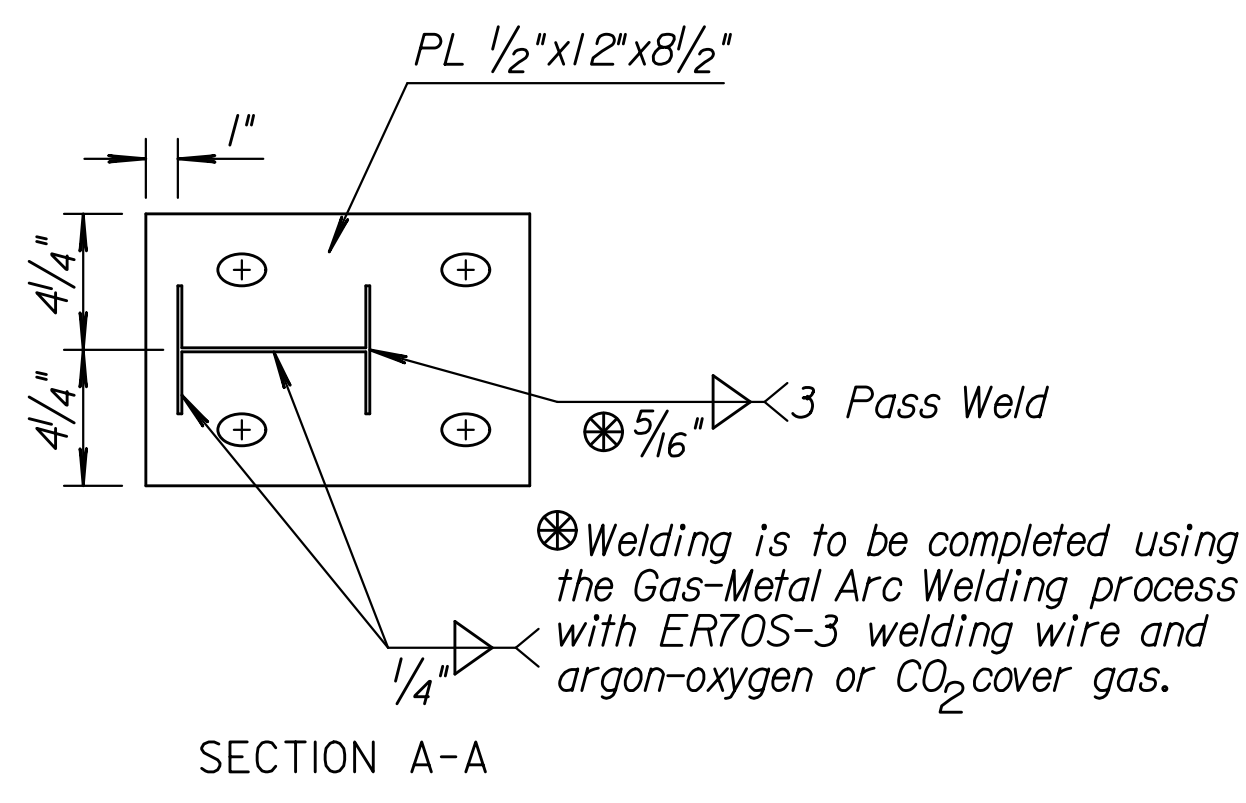
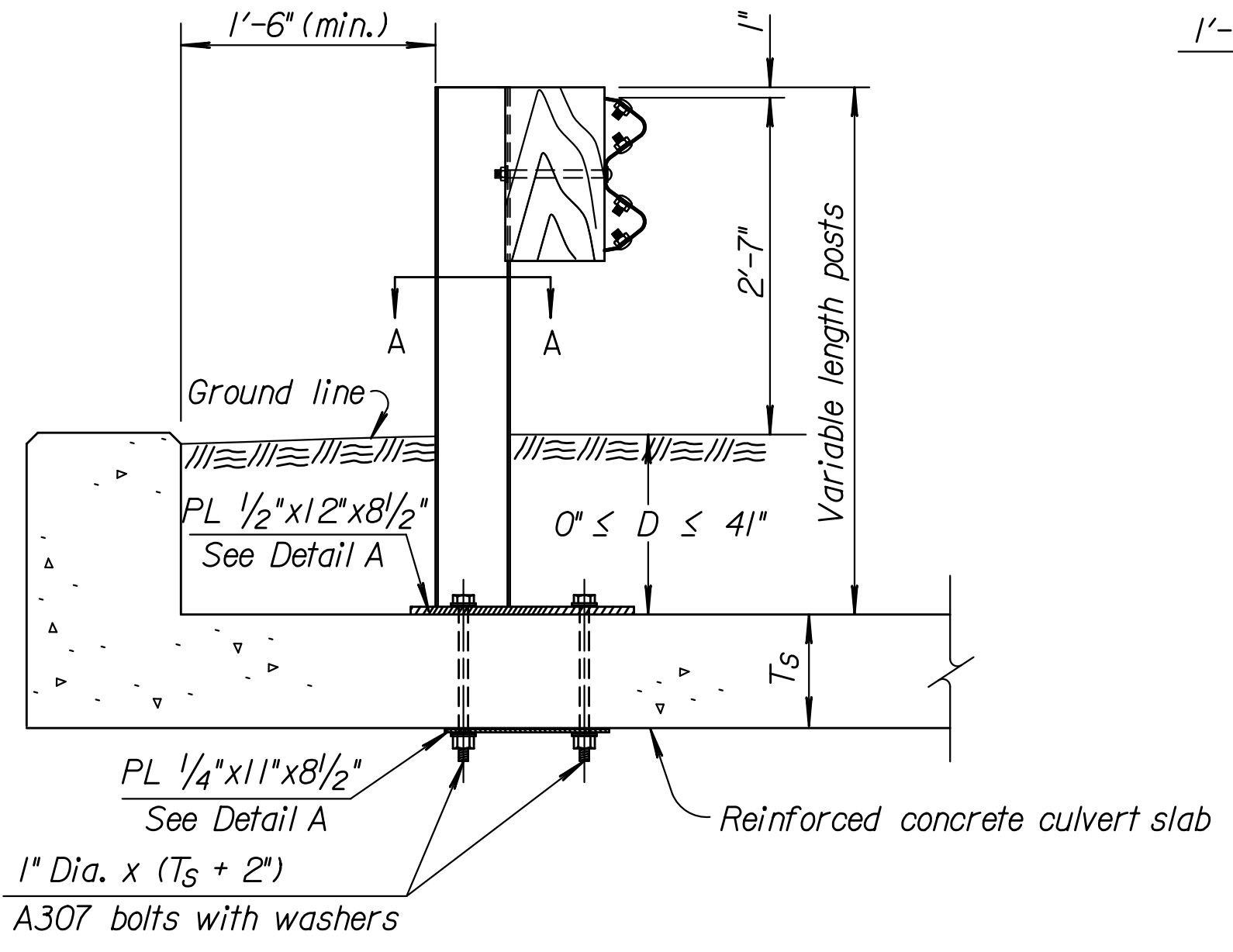
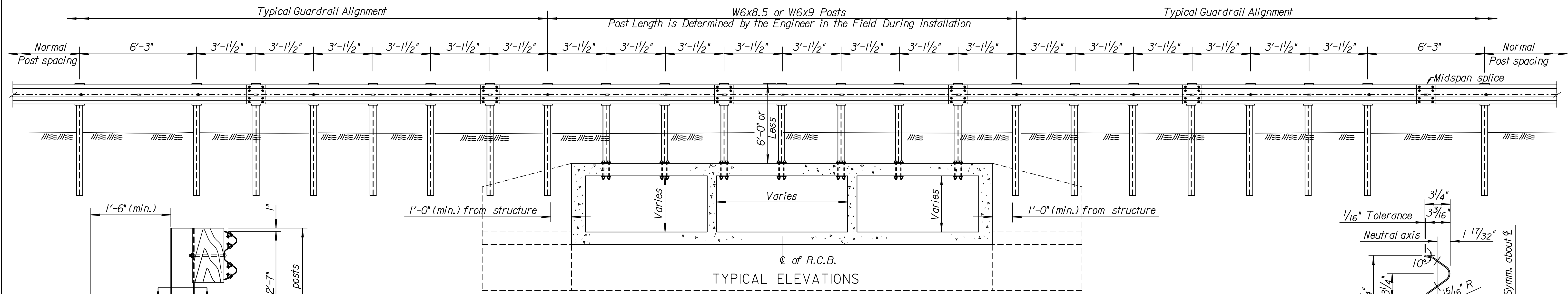


GENERAL NOTES
 Use this Standard Drawing for (MGS) Guardrail installed over a low fill bridge-sized structure. See Typical Alignment for guardrail installation from posts attached to structure to End Terminal.
 Use Standard W-Beam Guardrail throughout.
 See Standard Drawing RD611A for guardrail post and blockout details not shown on this sheet.
 Guardrail layout shown this sheet is for flared installation, see Standard Drawing RD606E for (MGS-FLEAT) End Terminal or Standard Drawing RD621B for (MGS-SRT) End Terminal.

Design Parameters				
Design Speed (mph)	Flare Rate (a:b)	Radius (R)	Flare Rate (2a:b)	Radius (R)
70	15:1	375.55'	30:1	375.14'
60	14:1	350.59'	26:1	325.16'
55	12:1	300.69'	24:1	300.17'
50	11:1	275.76'	21:1	262.70'
45	10:1	250.83'	18:1	225.23'
40	8:1	201.04'	16:1	200.26'

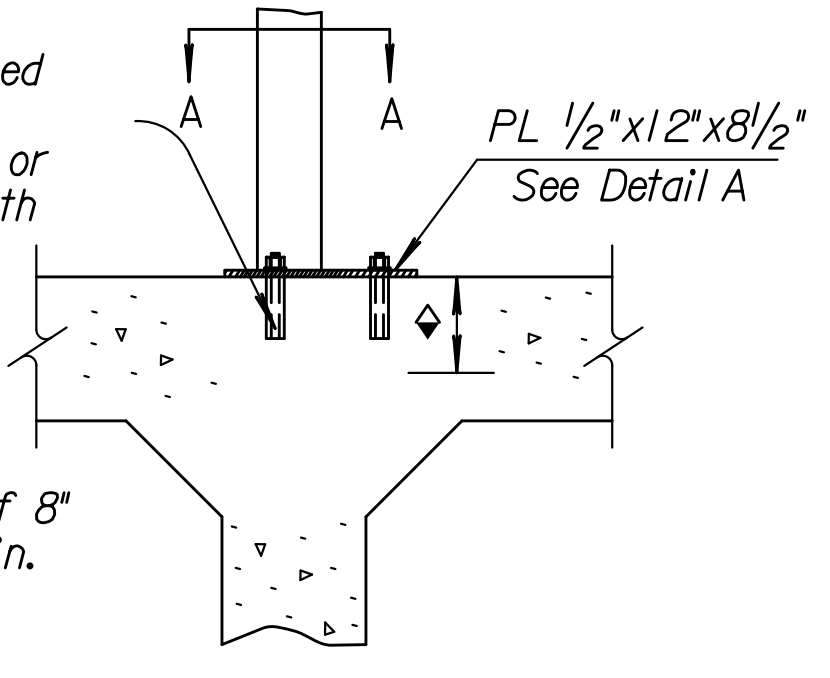
Note: Where guardrail is beyond shy line use flare rate of a:b and 25'-0" curve length. When guardrail is located inside shy line use flare rate of 2 a:b and 12'-6" curve length.

☆ See appropriate end terminal details.
 ∅ See Design Parameters table for radius and flare rate.
 ▲ Normal project side slope. See typical sections.

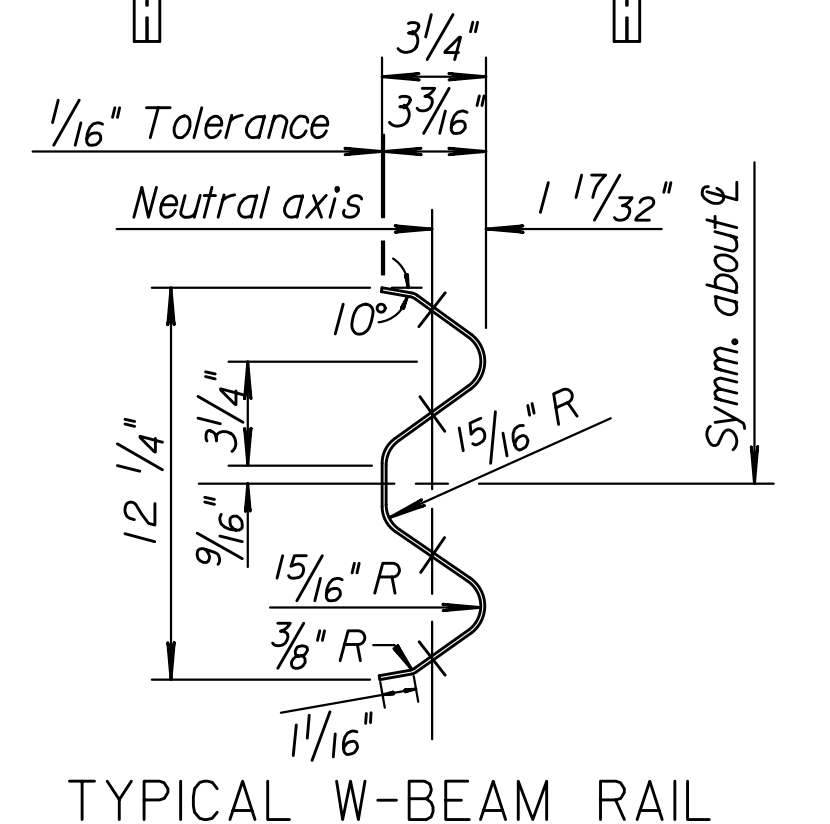


1" Dia. A307 Grade A Threaded Rod with Nut and Washer to be grouted with an approved epoxy or polyester resin in accordance with standard specifications.

◆ Embed anchor rod a min. of 8"
 Use a bonding agent with a min. bond strength of 1,800 psi.



ALTERNATE POST ATTACHMENT
 (This attachment to be used only when bolting through the top slab is not practical.)



KANSAS DEPARTMENT OF TRANSPORTATION				
ALIGNMENT (FLARED) & DETAILS FOR (MGS) GUARDRAIL ON BRIDGE-SIZED STRUCTURES				
RD617E				
DESIGNED	1-3-13	APP'D.	James O. Brewer	
DESIGN CK.	DATE	QUANTITIES	TRACED	Bowser
		QUAN. CK.	TRACE CK.	King
KDOT Graphics Certified 07-06-2015				