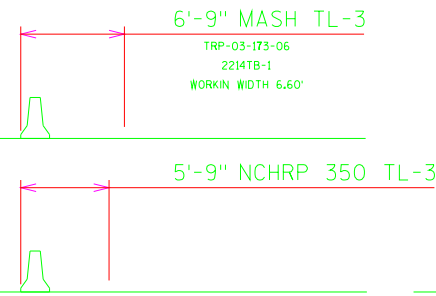
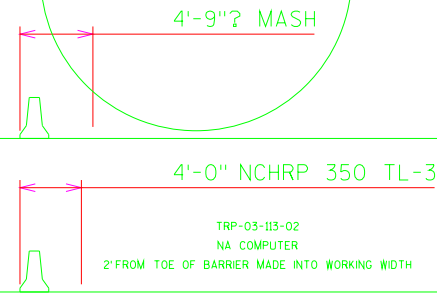


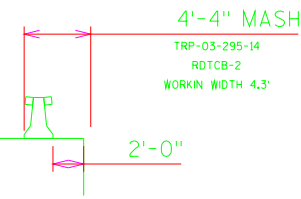
FREE STANDING (CRITICAL LOCATION)



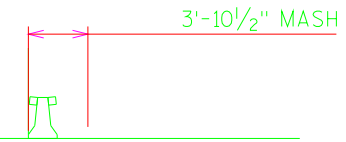
FREE STANDING (NON-CRITICAL LOCATION)



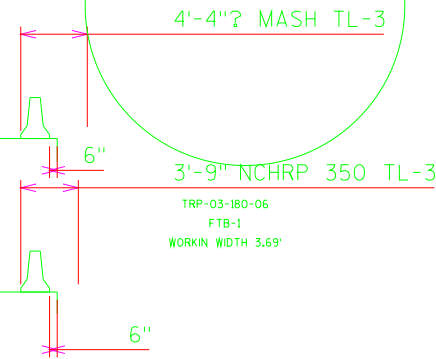
FREE STANDING REDUCED DEFLECTION (CRITICAL LOCATION)



FREE STANDING REDUCED DEFLECTION (NON CRITICAL LOCATION)



ANCHORED IN ASPHALT



ANCHORED IN CONCRETE

