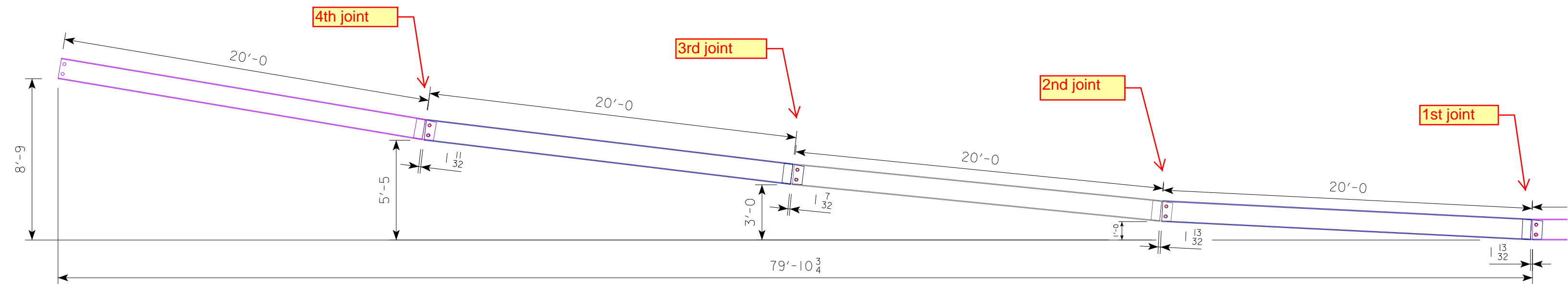
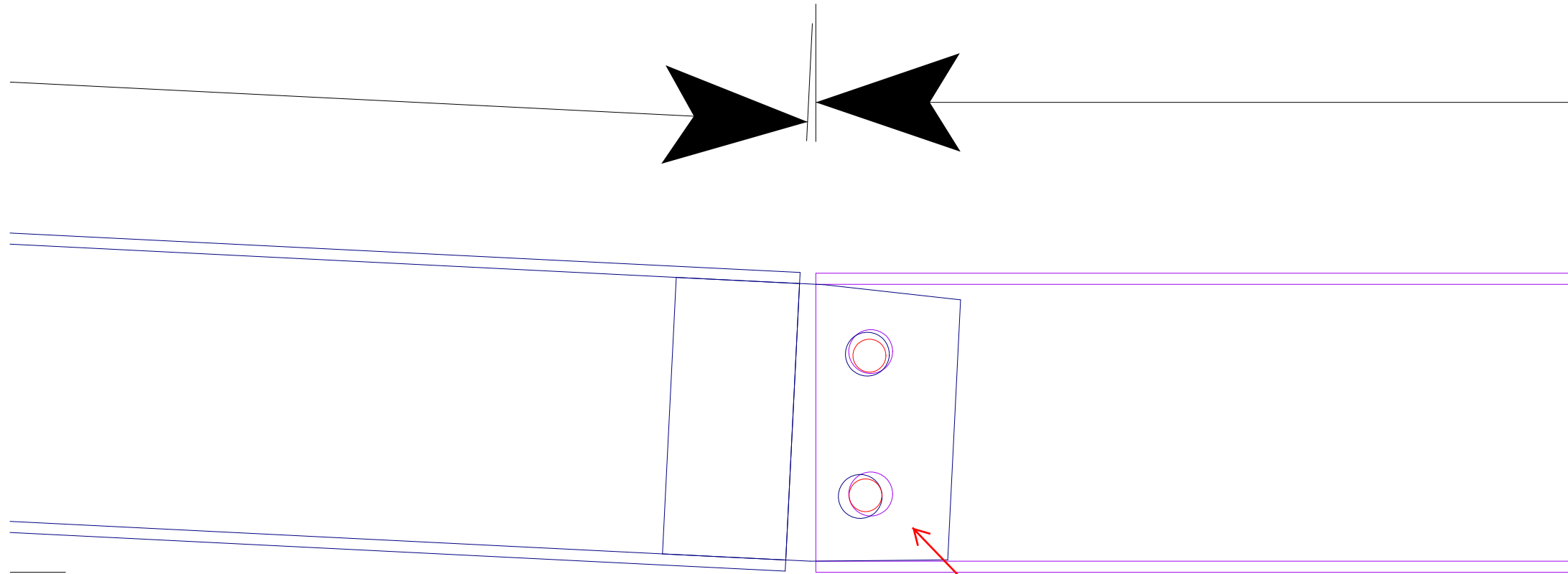


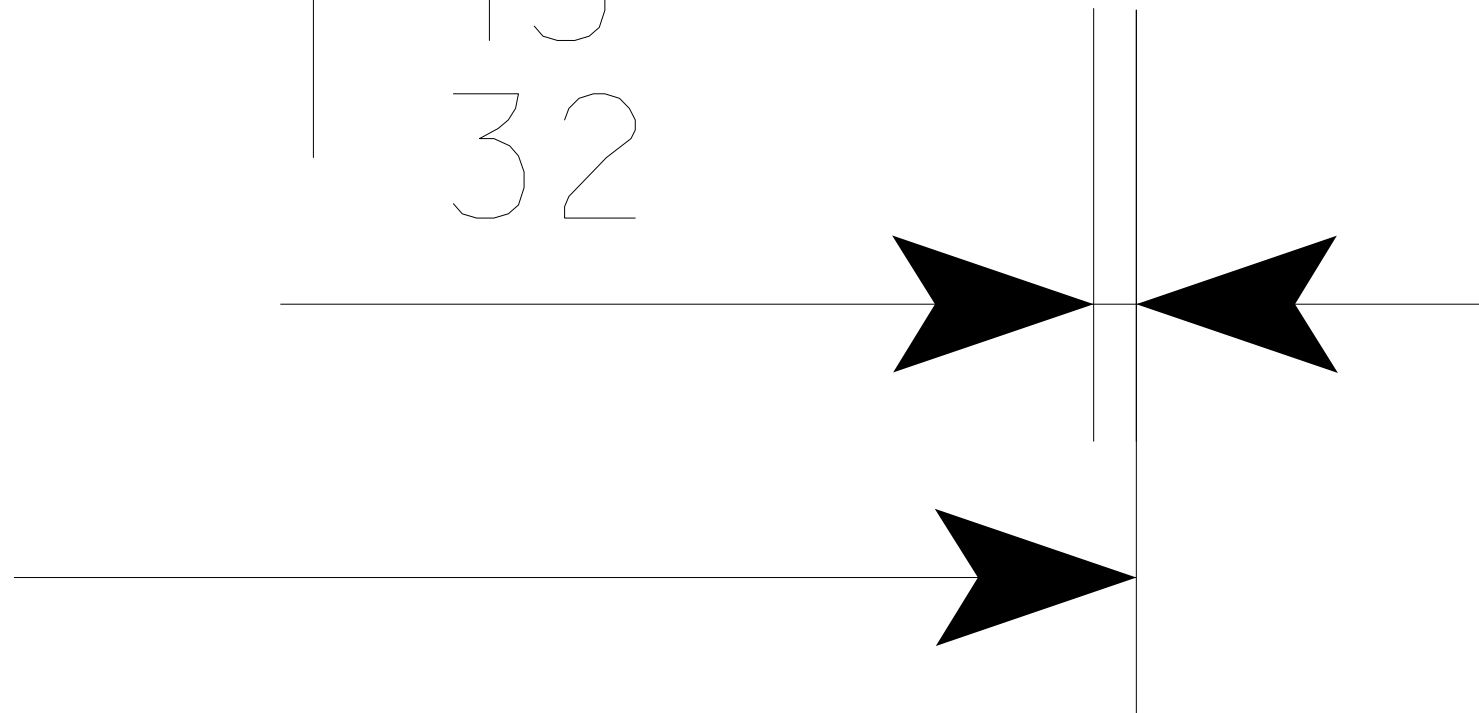
Steel H14x73 TBR layout as shown on Henry Co. Design 119
BRFN-078-4(21)--39-44



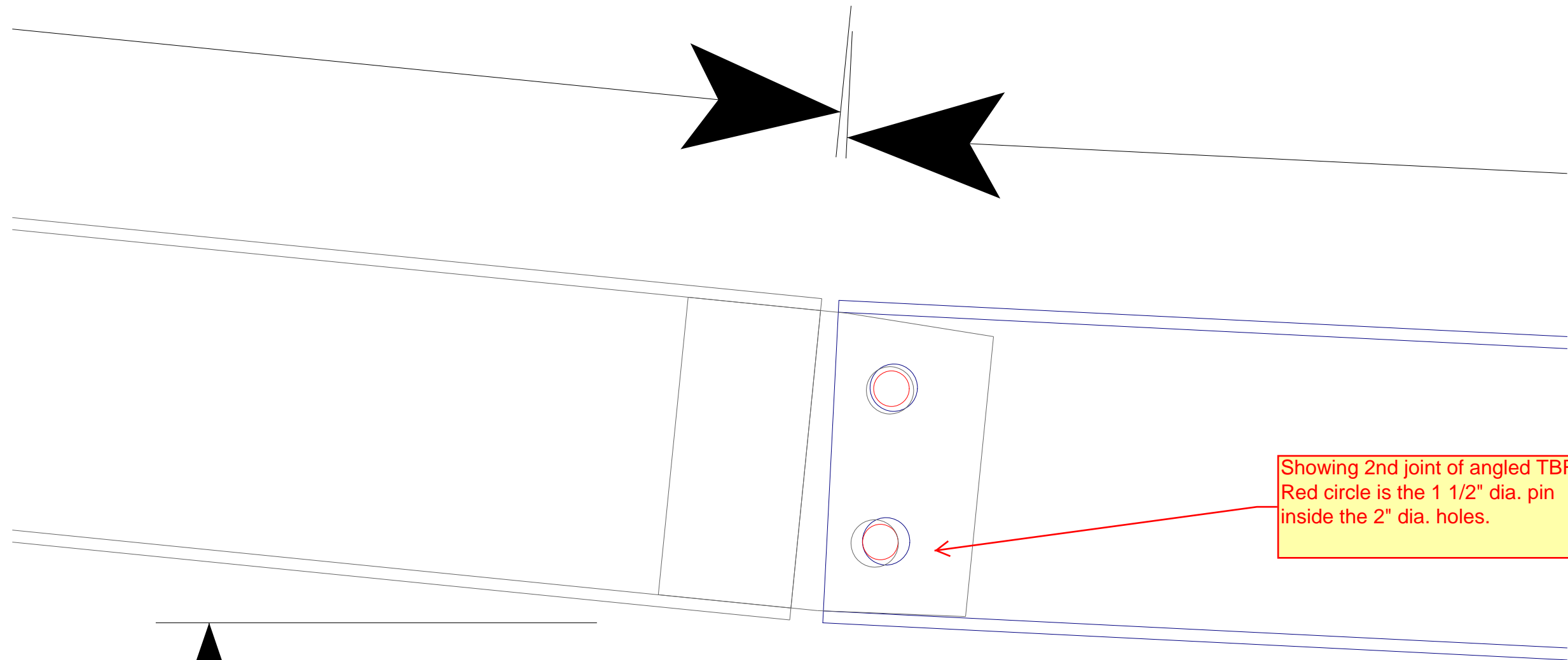


Showing 1st joint of angled TBR.
Red circle is the 1 1/2" dia. pin
inside the 2" dia. holes.

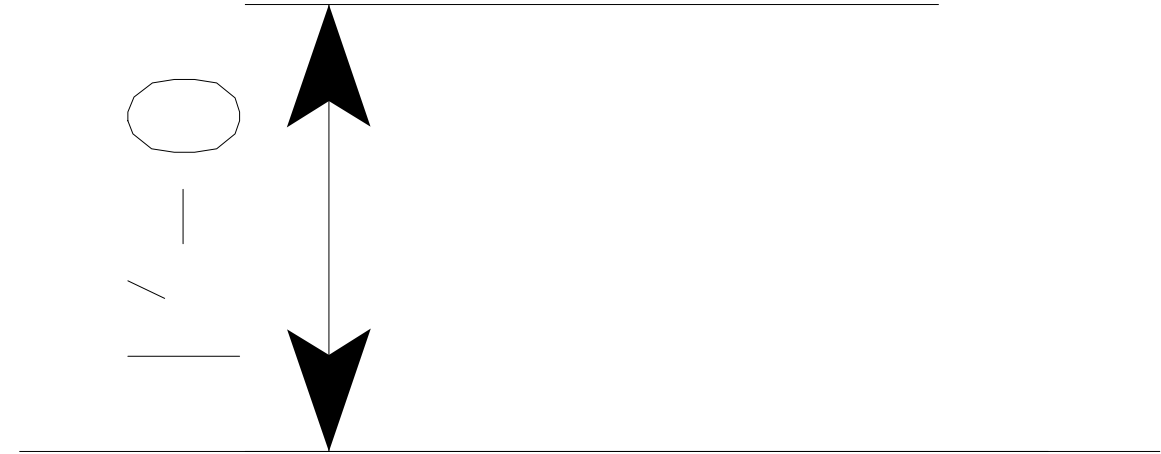
13
32



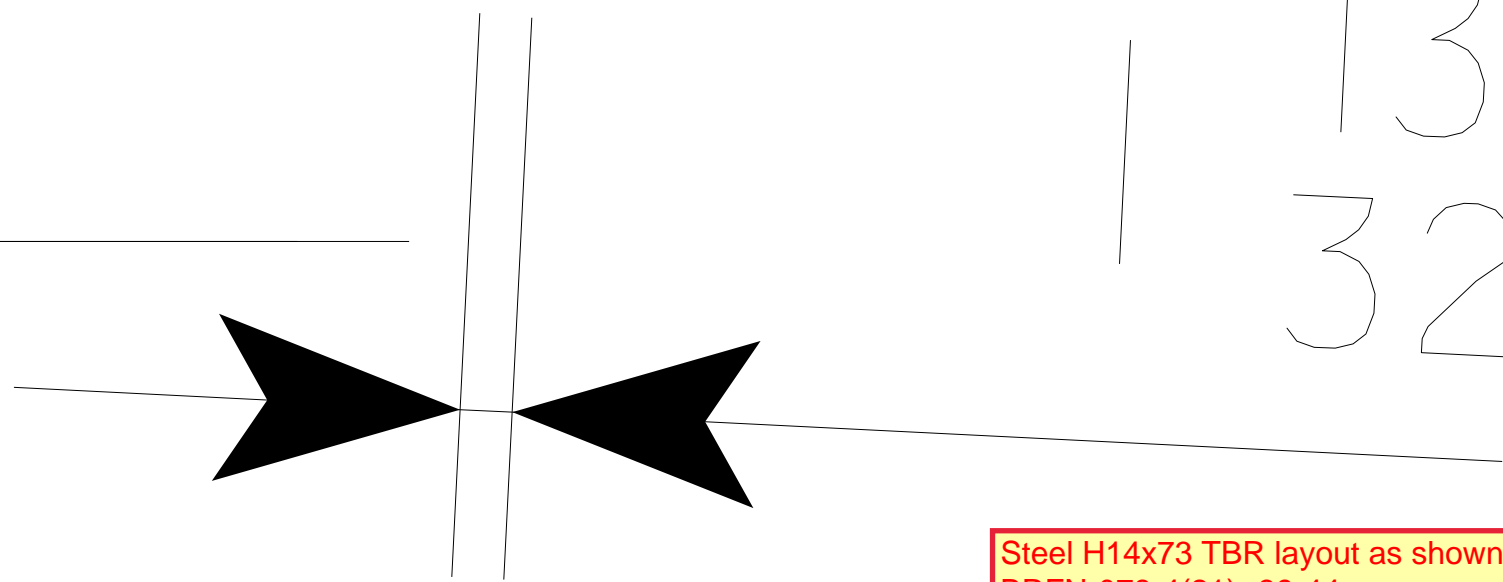
Steel H14x73 TBR layout as shown on Henry Co. Design 119
BRFN-078-4(21)--39-44



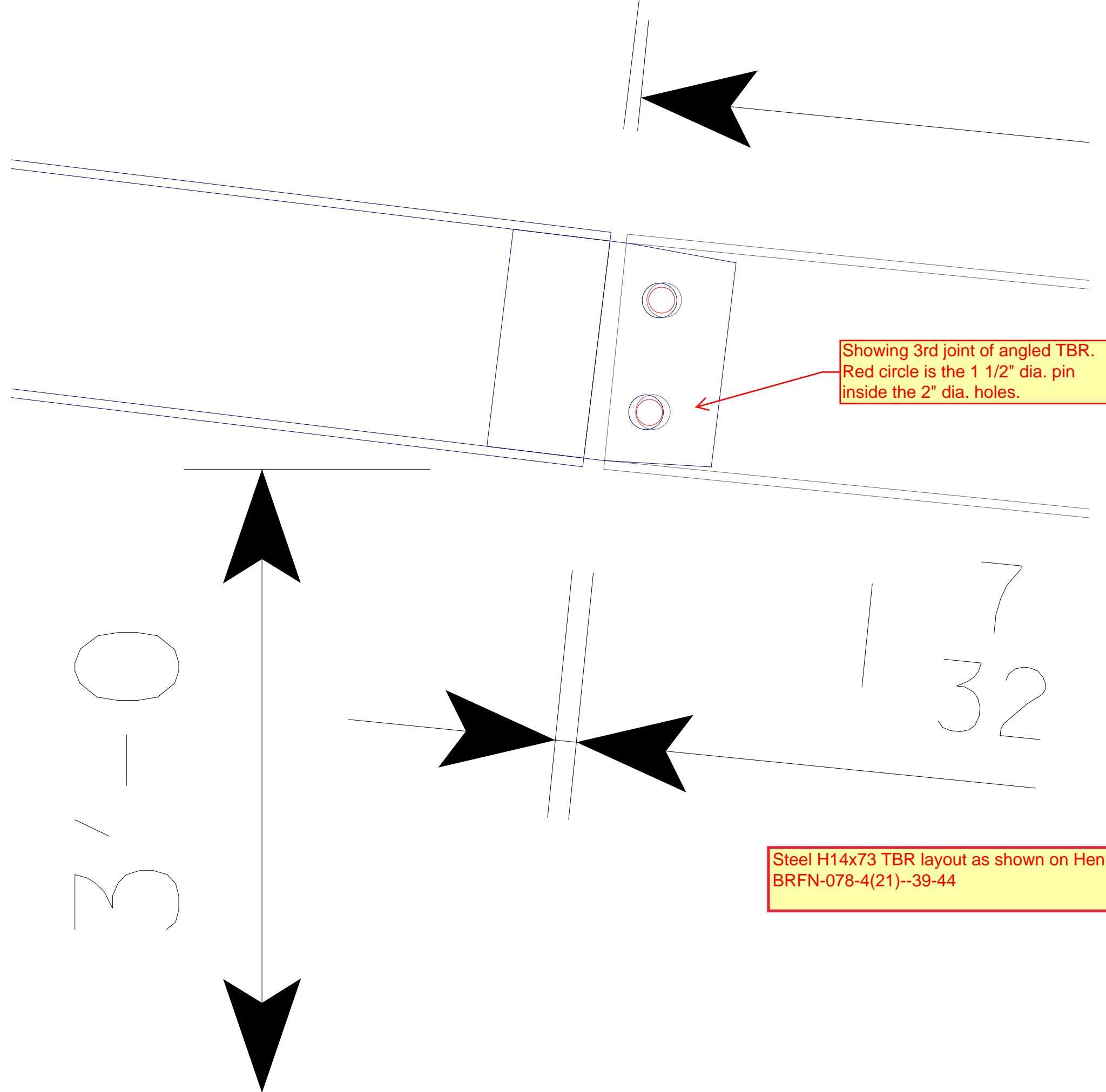
Showing 2nd joint of angled TBR.
 Red circle is the 1 1/2" dia. pin
 inside the 2" dia. holes.



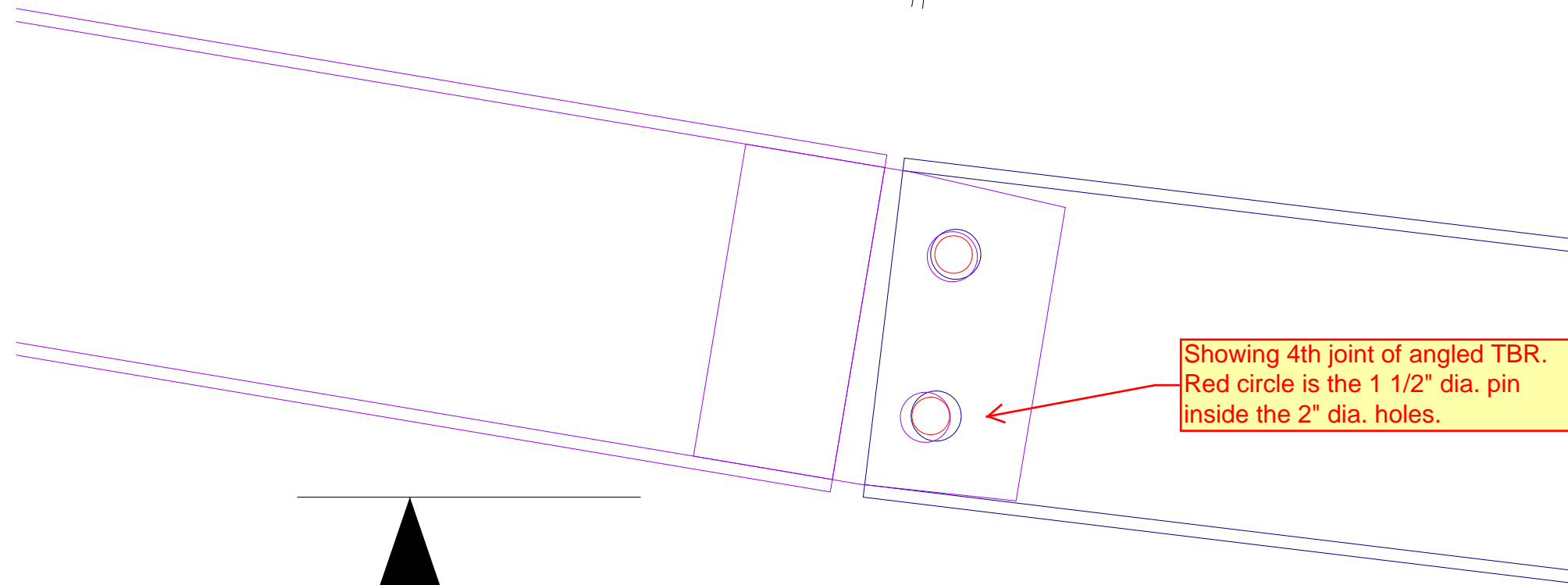
13
 32



Steel H14x73 TBR layout as shown on Henry Co. Design 119
 BRFN-078-4(21)--39-44

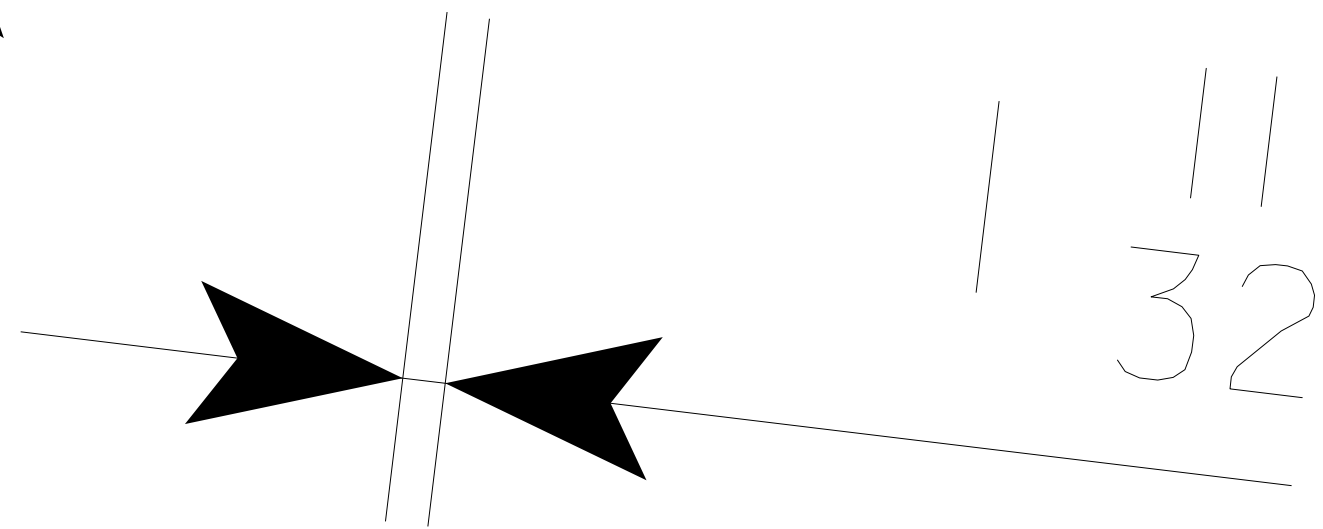
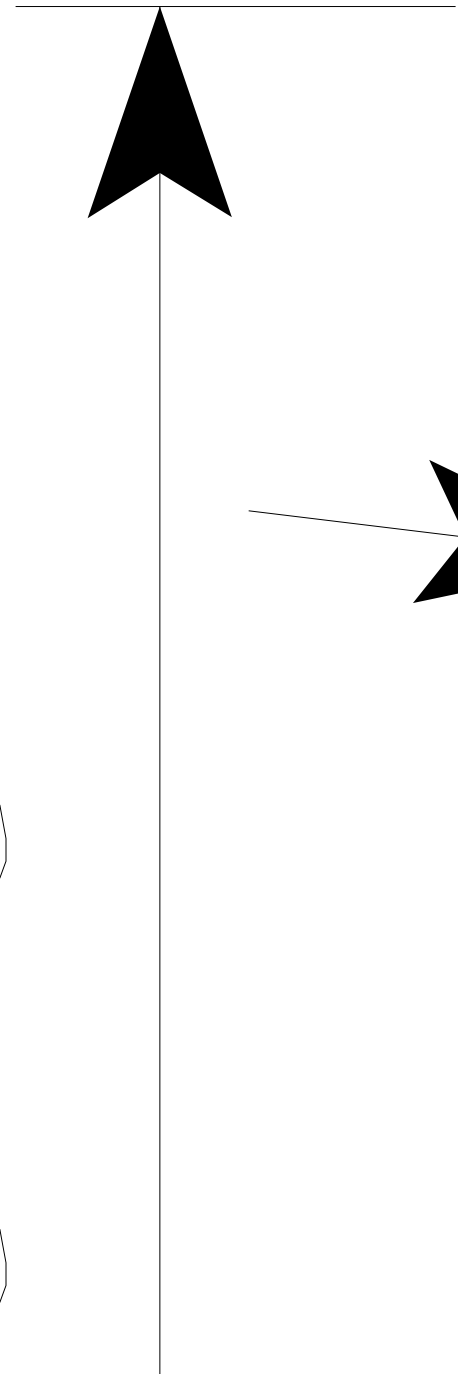


Steel H14x73 TBR layout as shown on Henry Co. Design 119
BRFN-078-4(21)--39-44



Showing 4th joint of angled TBR.
Red circle is the 1 1/2" dia. pin
inside the 2" dia. holes.

5-5



Steel H14x73 TBR layout as shown on Henry Co. Design 119
BRFN-078-4(21)--39-44