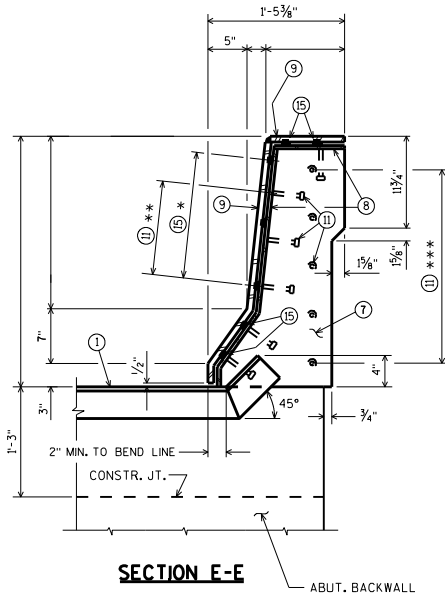
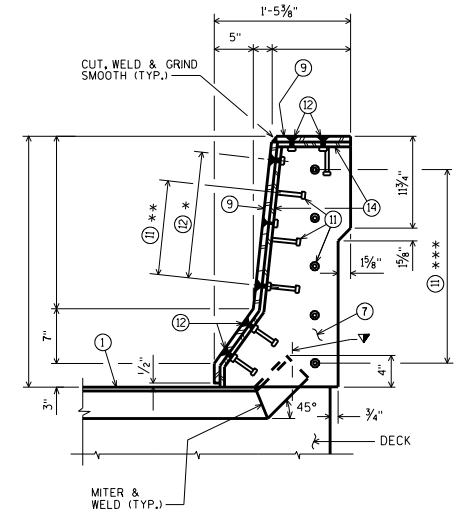


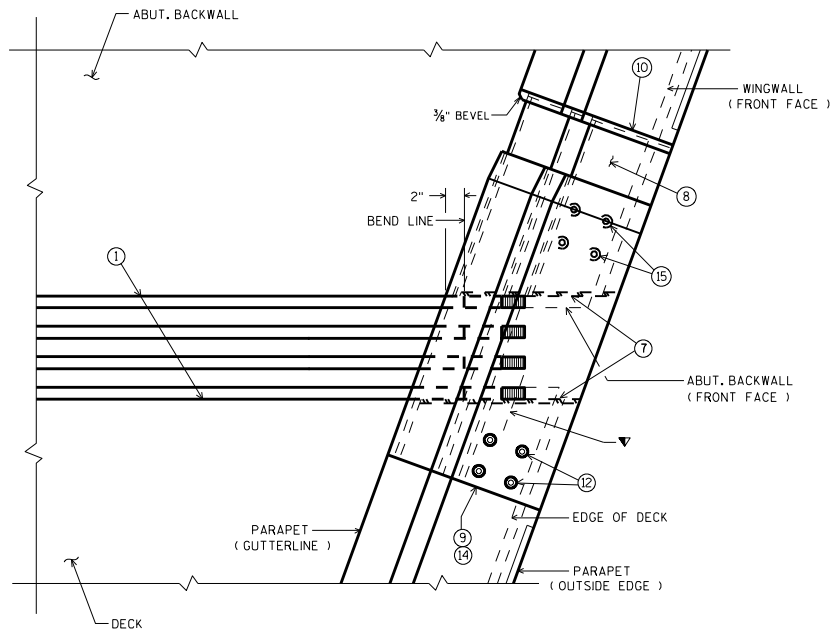
**ELEVATION OF PARAPET LF/HF**



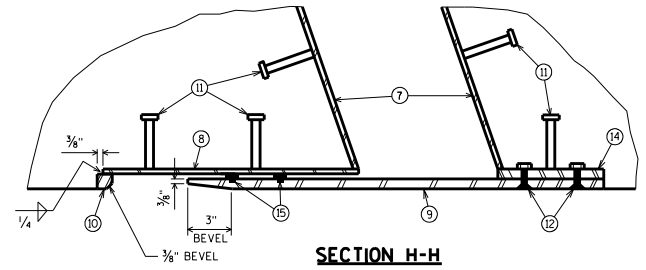
**SECTION E-E**



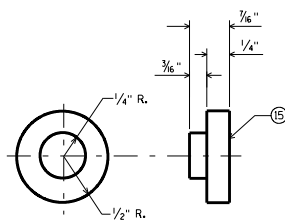
**SECTION F-F**



**PLAN OF LF/HF**



**SECTION H-H**



**ADIPRENE BUTTON DETAIL**

- \* 2 EQ. SPA. (LF)  
 4 EQ. SPA. (HF)
- \*\* 2 SPA. (LF)  
 4 SPA. (HF)
- \*\*\* 4 SPA. (LF)  
 6 SPA. (HF)

▼ FOR STRUCTURES WITH SKEWS ADD NOTE TO PLANS: "MITER EXTRUSION ENDS AS REQ'D TO PROVIDE CLEARANCE"

<b>COVER PLATES FOR PARAPET 'LF/HF'</b>	
STATE OF WISCONSIN DEPARTMENT OF TRANSPORTATION STRUCTURES DEVELOPMENT SECTION	
APPROVED: <u>Bill Oliva</u>	DATE: 1-12