

TYPE 5 - CONCRETE BRIDGE PARAPET

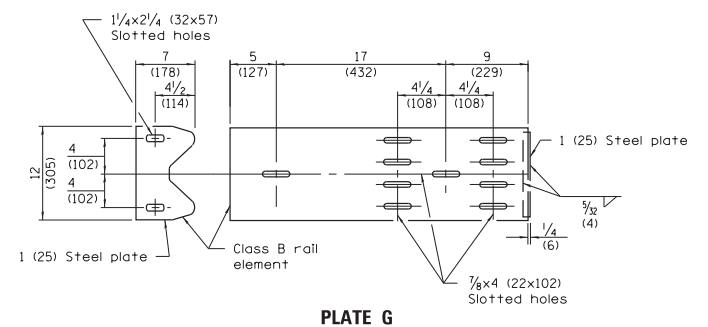
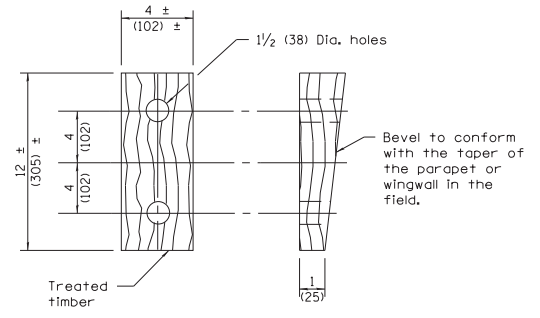


PLATE G



WEDGE M

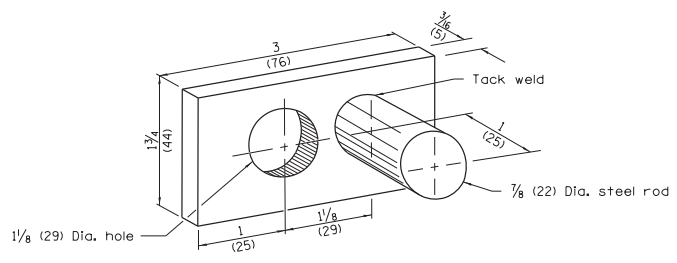
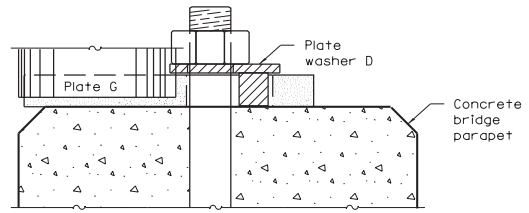


PLATE WASHER D



PLACEMENT OF PLATE WASHER D

(PLAN)

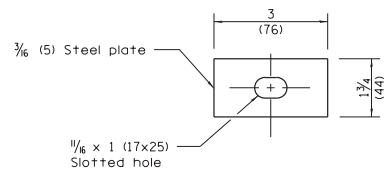


PLATE WASHER F

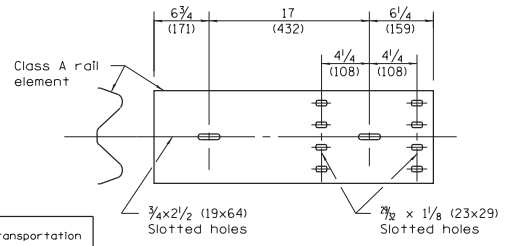


PLATE E

GENERAL NOTES

- Install plate washer D so the 1 (25) projection fills the remainder of the slotted holes in the 1 (25) end plate on plate G after the 1 (M24) dia. bolts are in place.
- When an expansion joint exists below the connector, bolts shall be provided with a locknut or double nuts and shall be tightened only to a point that will allow plate G to be free to move.
- See Standard 630001 for details of guardrail not shown.
- All dimensions are in inches (millimeters) unless otherwise shown.

DATE	REVISIONS
1-1-15	Revised post spacing dimensions on elevation.
1-1-09	Switched units to English (metric).

TRAFFIC BARRIER TERMINAL, TYPE 5

STANDARD 631026-06

Illinois Department of Transportation

PASSED January 1, 2015

ENGINEER OF POLICY AND PROCEDURES

APPROVED January 1, 2015

ENGINEER OF DESIGN AND ENVIRONMENT

1585

46-1-1 03/15