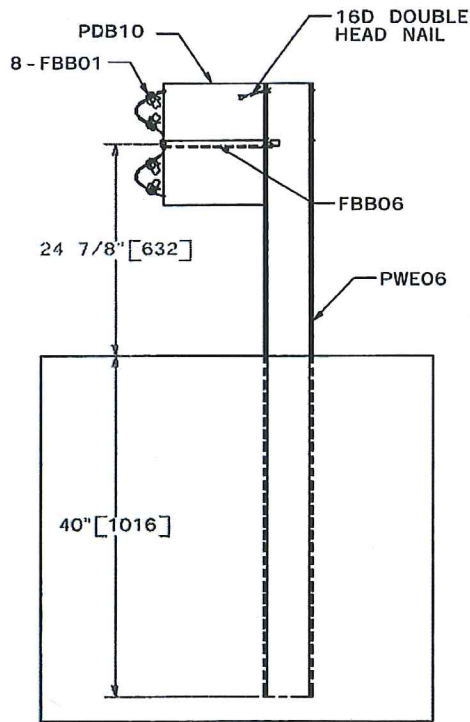
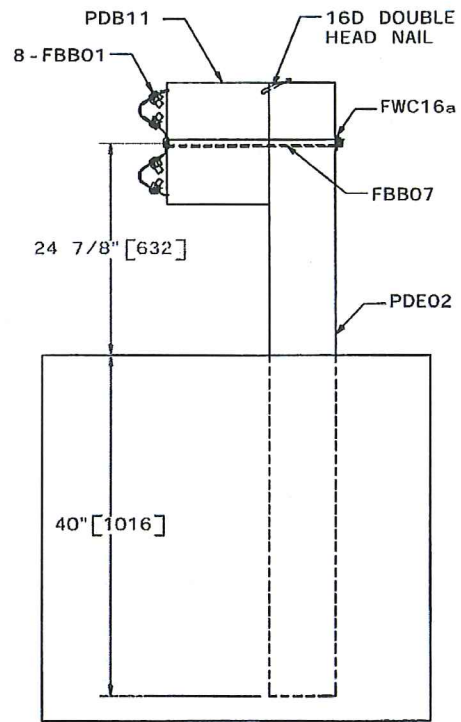


ELEVATION



SGR20a
Section A - A



SGR20b

MIDWEST GUARDRAIL SYSTEM WITH STANDARD POST SPACING



SGR20a-b

SHEET NO.

DATE:

1 of 2

04/12/2006

DESIGNATOR	BASE METAL THICKNESS
RWM03a	2.67
RWM03b	3.43

3 EQUAL POST HOLE SPACINGS @ 1270 EA

216

1270
(TYP)

108

108



24x30 SPLICE BOLT
SLOTS (TYP)

20x65 POST BOLT
SLOT (TYP)

52
(-6, +30)

4130

THE CROSS-SECTIONAL DIMENSIONS OF THIS PART ARE THE SAME AS PART RWM02a (SHT 3 of 4).

1994

3-SPACE W-BEAM GUARDRAIL



RWM03a-b

SHEET NO.

REF. NO.

1 of 2

RE-3-73