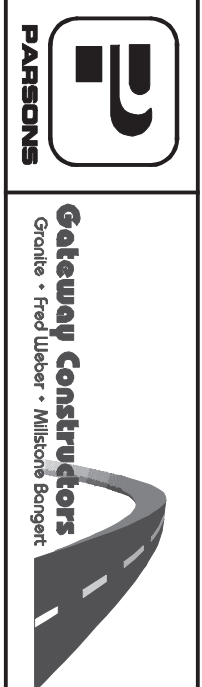
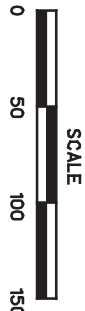
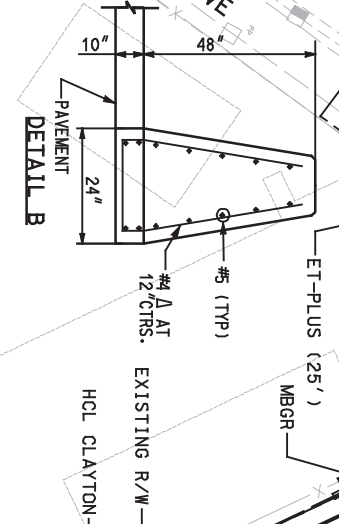
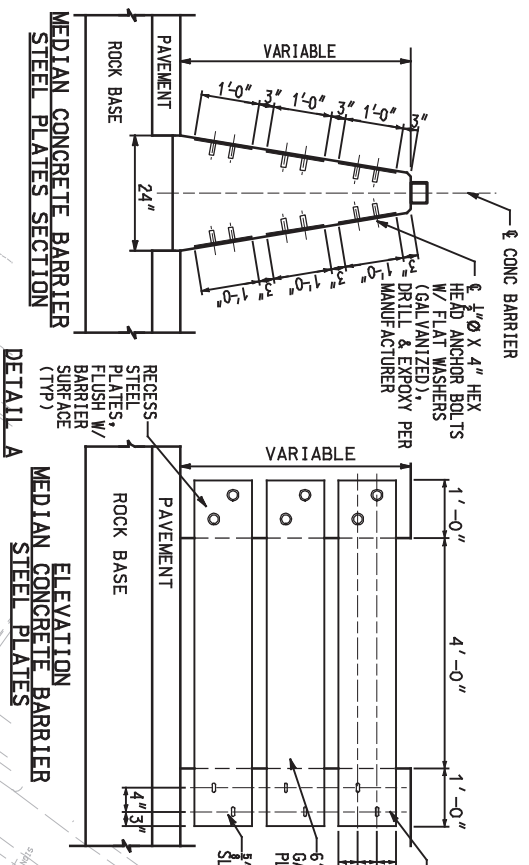
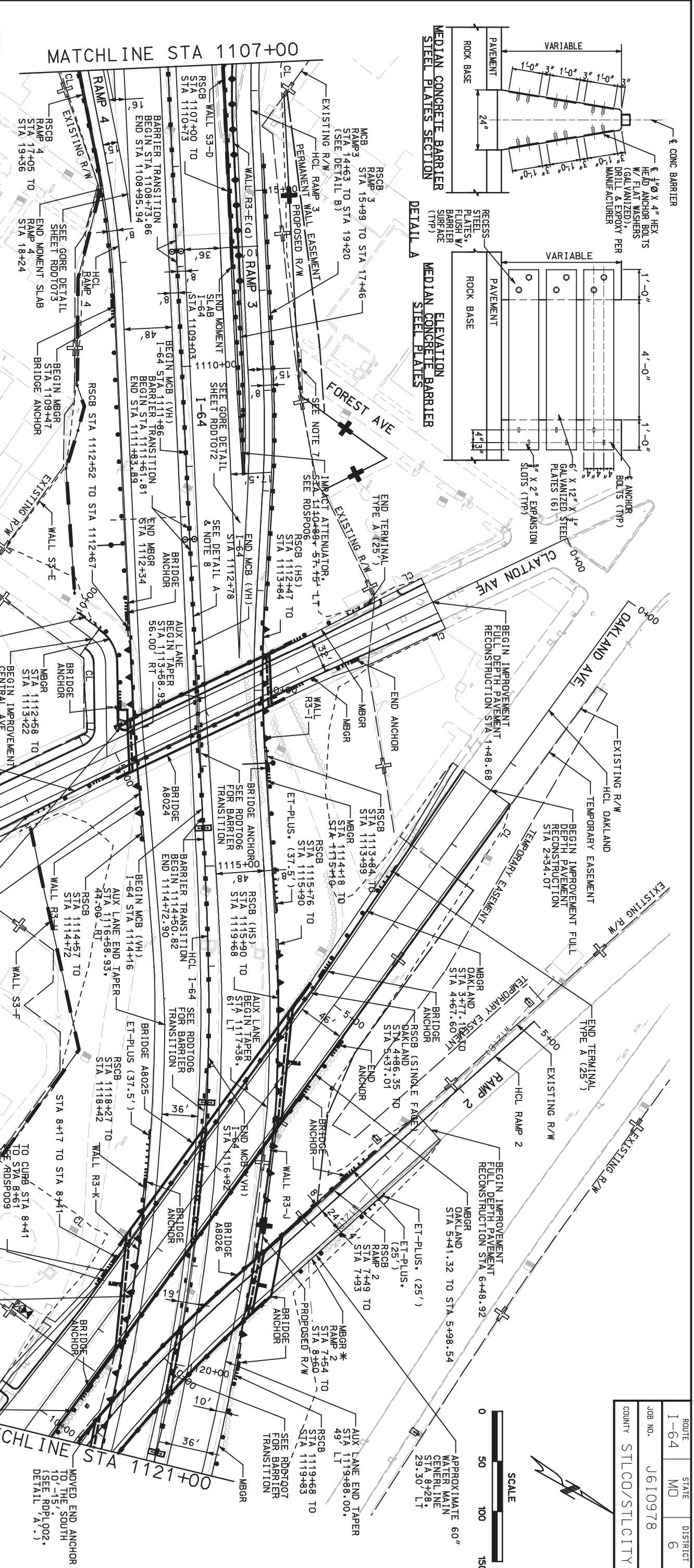


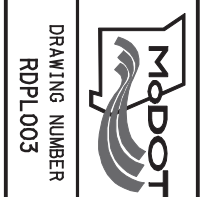
DESIGNED BY: CMW	NO.	DESCRIPTION	DATE
DRAFTED BY: JTM	3	MOD. BARRIER LOCATION ON CLAYTON BRIDGE AND SLOPE LIMITS	30MAY08
CHECKED BY: MKC	4	RELEASED FOR CONSTRUCTION, FDC 797 (172 & 656)	07JUL09
	5	RELEASED FOR CONSTRUCTION, FDC 890 (853, & 879)	29OCT09
	AB	AS-BUILT FDC-172, FDC-325, FDC-656, FDC-797	11AUG10
	FDC-853, FDC-879, FDC-890, FDC-921, FDC-931		

ISSUE RECORD	
NO.	DESCRIPTION
1	ISSUE

- NOTES:
1. SEE GEOMETRIC LAYOUT SHEETS FOR ADDITIONAL HORIZONTAL CONTROL INFORMATION.
 2. ALL STATIONS AND OFFSETS ARE TO I-64 HCL UNLESS OTHERWISE NOTED.
 3. ALL DIMENSIONS ARE TO FACE OF BARRIER OR EDGE OF PAVEMENT UNLESS OTHERWISE NOTED.
 4. PROPOSED FEATURES SHALL CONFORM TO THE FOLLOWING STANDARDS:
 MBGR, TY A: MODOT STD 606.00AS
 GUARDRAIL END ANCHOR: MODOT STD 606.00AS
 GUARDRAIL BRIDGE ANCHOR SECTION: MODOT STD 606.22R
 MEDIAN CONCRETE BARRIER: RDSP001
 MEDIAN CONCRETE BARRIER TRANSITION: TRSP004, TRSP009 (SIGNALING)
 ROADSIDE CONCRETE BARRIER: RDSP003
 ROADSIDE CONCRETE BARRIER (SINGLE FACE): RDSP009
 5. SEE RD02002 FOR I-64 LANE TRANSITION DETAILS, STA 1113+32 TO STA 1116+32.
 6. SEE RD01016-RD01031 FOR CROSSROAD AND RAMP DETAILS.
 7. PLACE TYPE D GUARD RAIL AND TYPE 4 OBJECT MARKERS PER MODOT STANDARD PLAN 903.03.
 8. PROVIDE GAP IN MEDIAN BARRIER FOR EXISTING WATER VALVE MANHOLE AT STATION 1112+50 PER DETAIL A. PROVIDE MEDIAN CONCRETE END ANCHORAGE AT EACH END OF BARRIER GAP PER RDSP002.



THE NEW I-64 PROJECT
 SEGMENT 3
 ROADWAY PLAN
 I-64
 STA 1107+00 TO STA 1121+00



AS-BUILT
 DRAWING NUMBER
 RDPL003

ROUTE	STATE	DISTRICT
I-64	MO	6
JOB NO.	J610978	
COUNTY	STLCO/STLCITY	