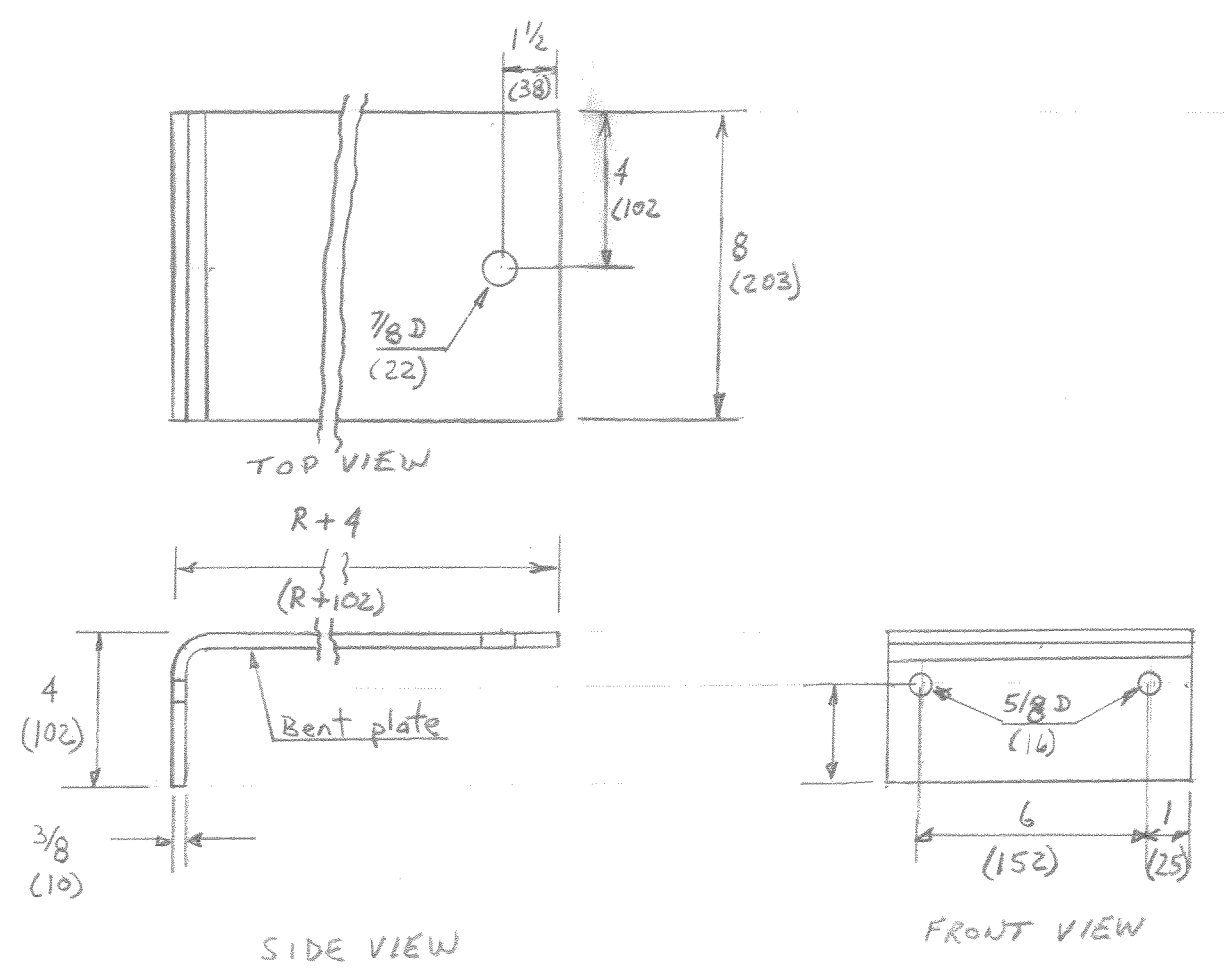


Part a 8 mod



Part a 8 alt

Ref 2, p 164

Ref 3  
 Check thickness.  
 bend radius  
 weld type/dimension  
 location/dimension  
 confirm/understand material  
 & whether IDOT spec (Chemical Adhesive)  
 is sufficient. Overhead placement included.  
 recommendations on minimum client  
 headwall thickness for thru bolt?