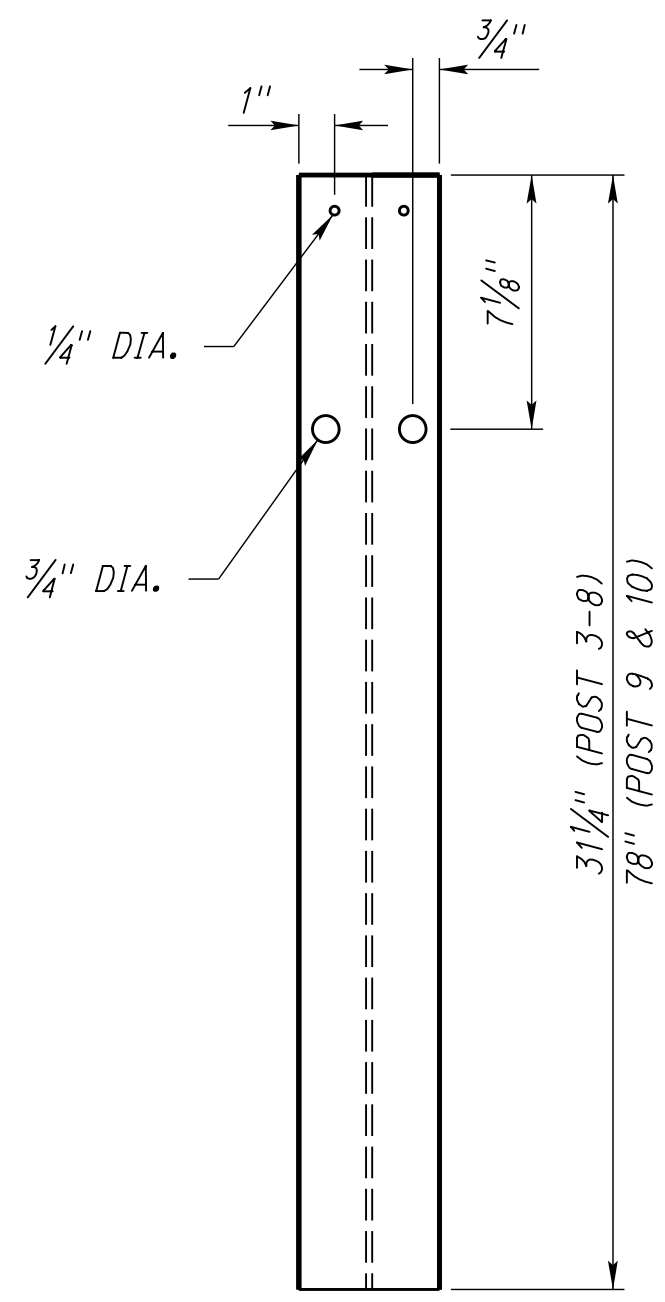
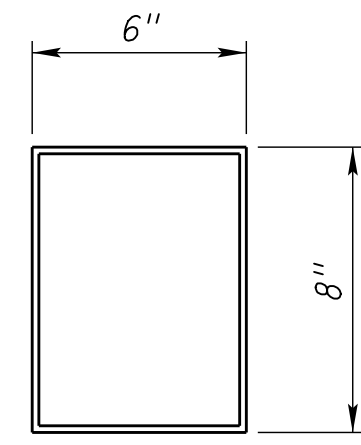


PLAN

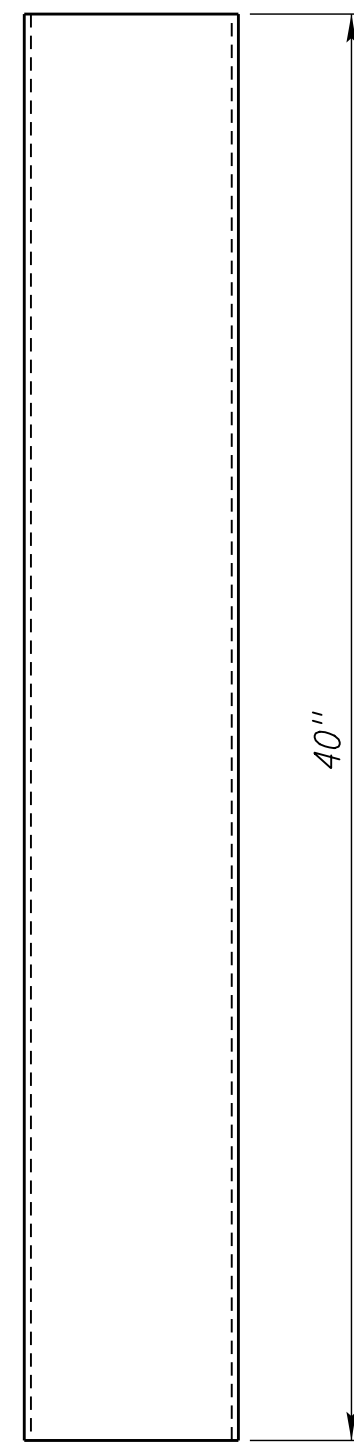


ELEVATION

W6 x 9 POST OR  
W6 x 8.5 POST

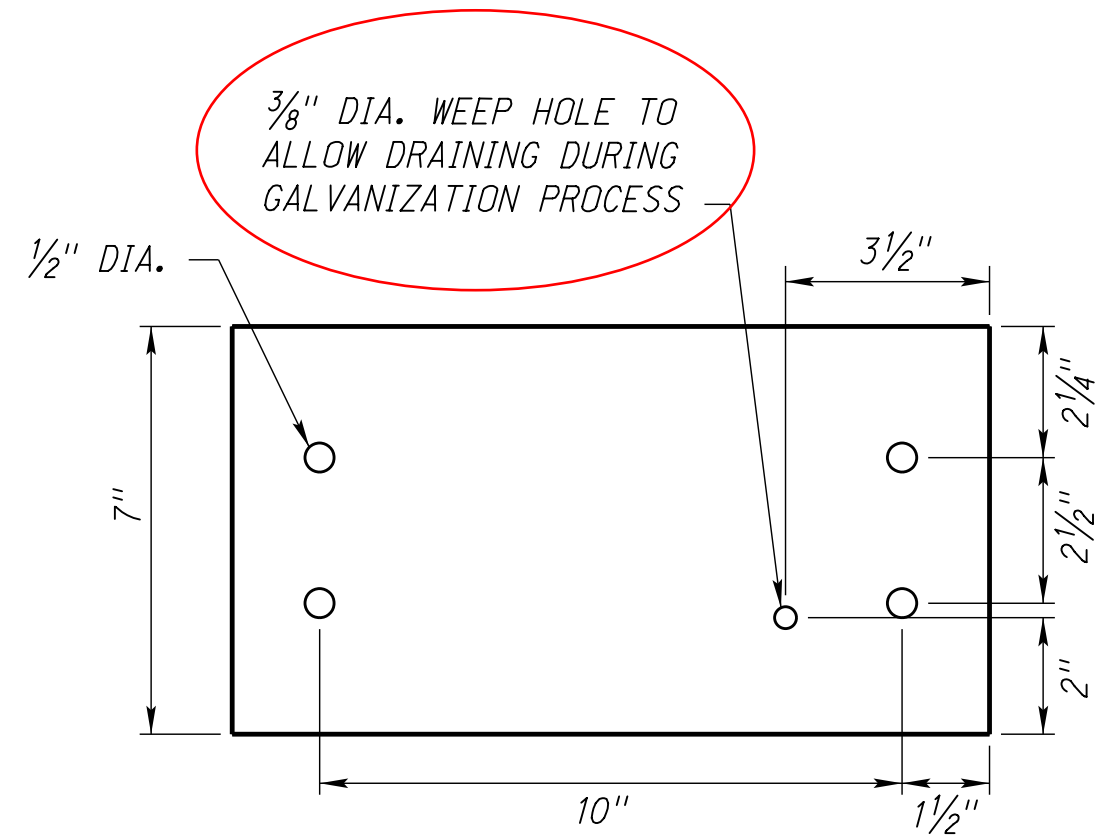


PLAN

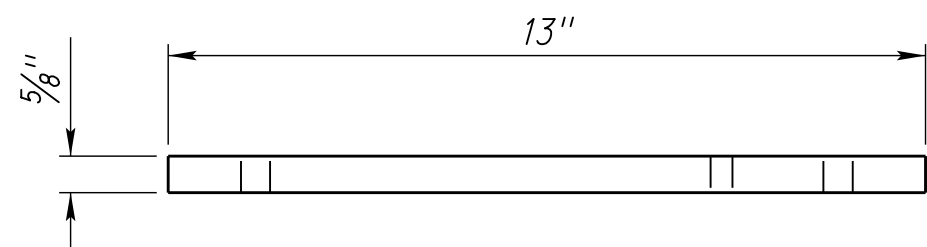


ELEVATION

STEEL TUBE 6" x 8" x 3/16"  
POST NO. 3 - 8

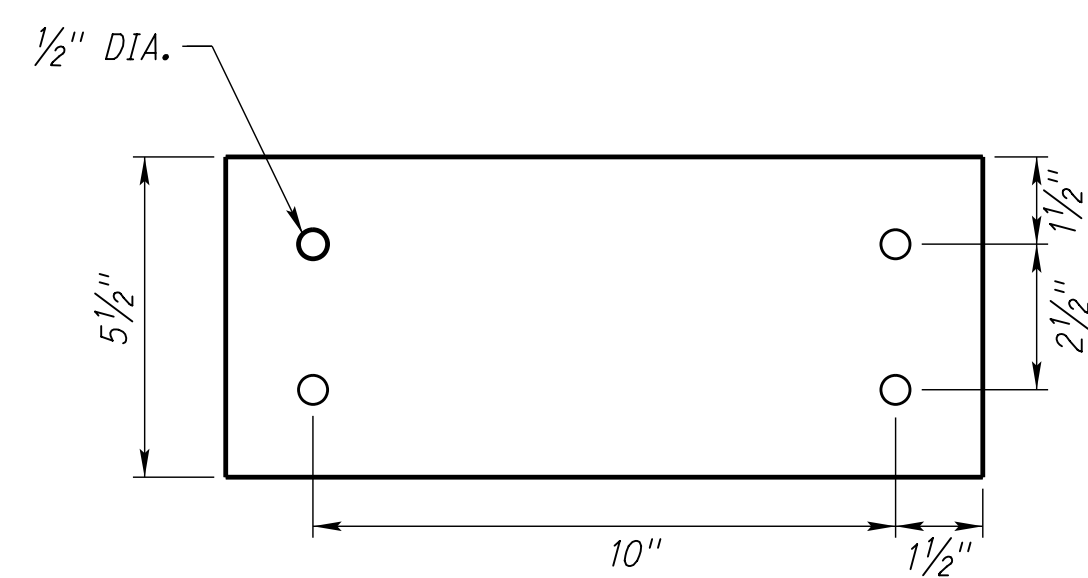


PLAN

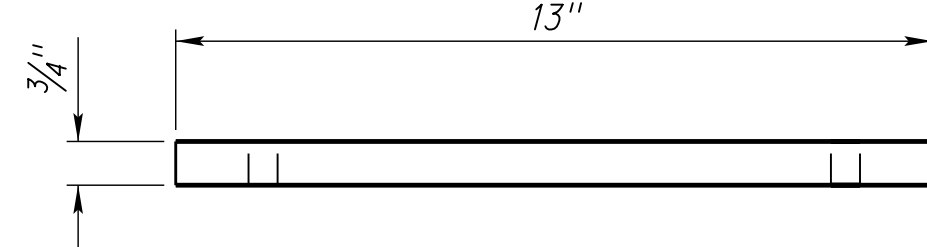


ELEVATION

LOWER SHEAR PLATE  
7" x 13" x 5/8"

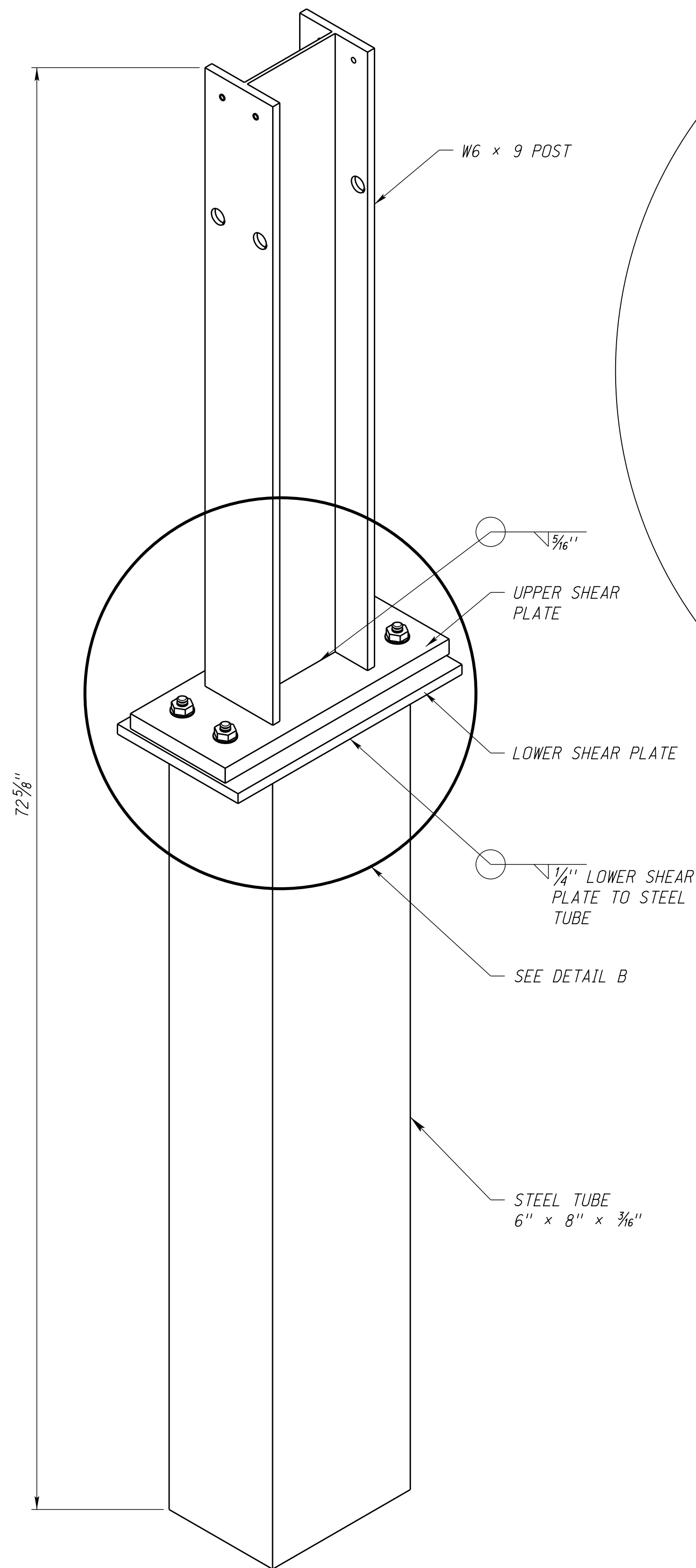


PLAN

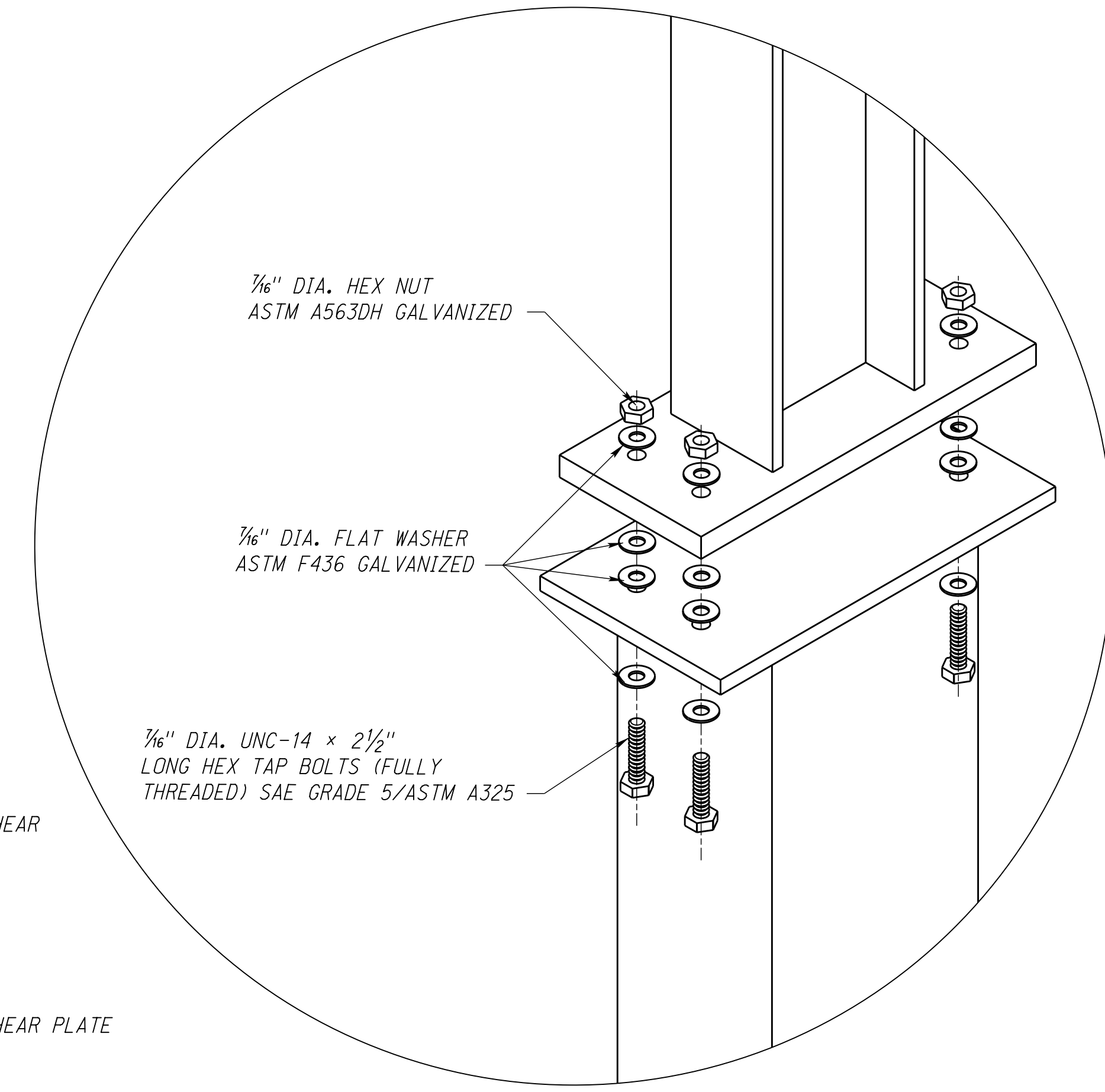


ELEVATION

UPPER SHEAR PLATE  
5 1/2" x 13" x 3/4"



BREAKAWAY STEEL POST




DETAIL B

REV. NO.	DATE	DESCRIPTION OF REVISION
R1	JAN 18	CHANGE BOLT ORIENTATION

NEBRASKA DEPARTMENT OF TRANSPORTATION  
STANDARD PLAN NO. 712-R1

### BULLNOSE (TAPERED)

ACCEPTED BY FHWA FOR USE ON THE NATIONAL HIGHWAY SYSTEM:



DATE \_\_\_\_\_

ORIGINAL: OCTOBER 2011

DATE \_\_\_\_\_

3  
3