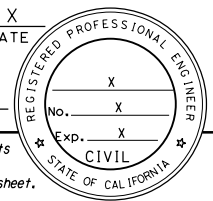
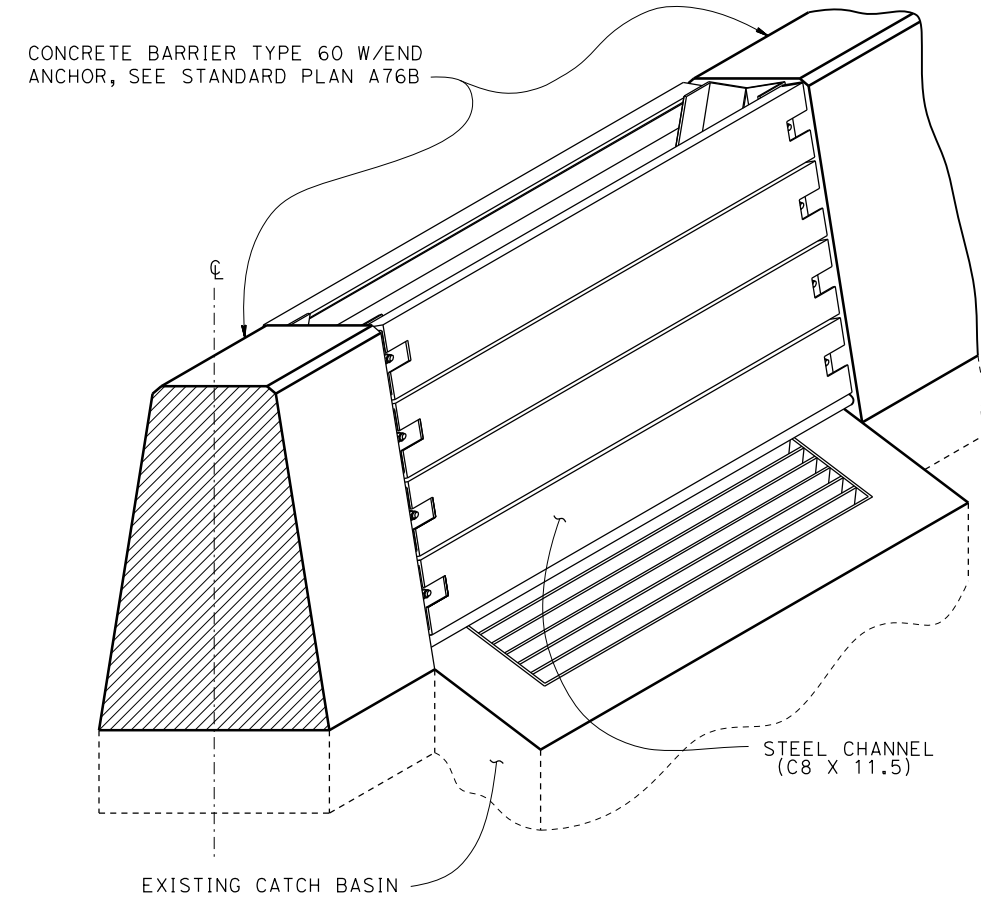


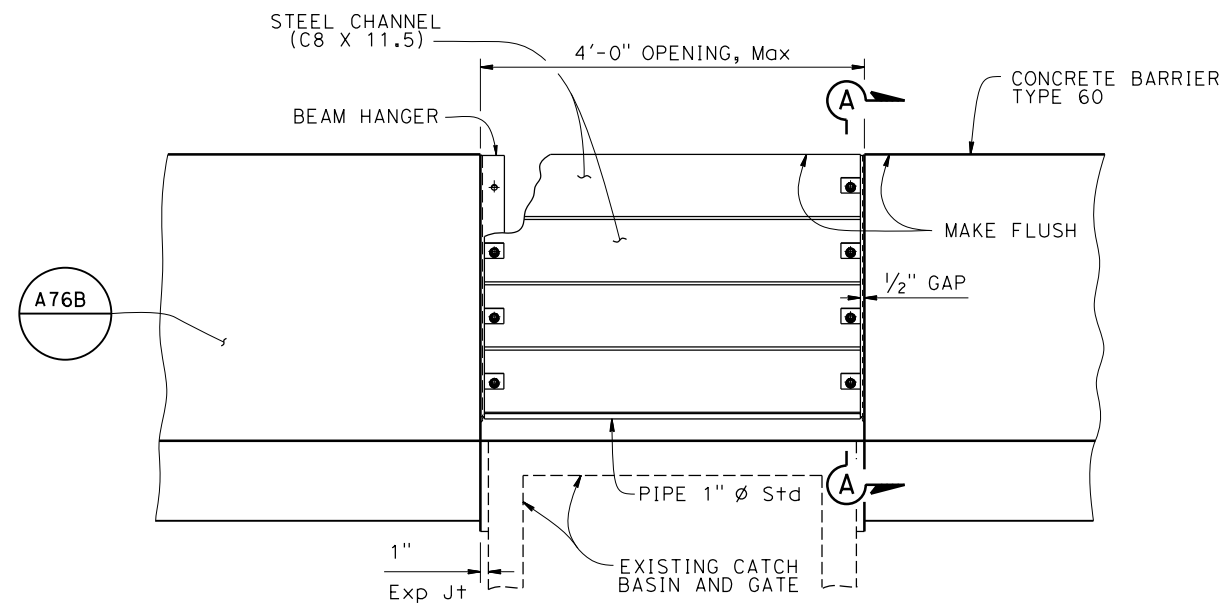
DIST	COUNTY	ROUTE	POST MILES TOTAL PROJECT	SHEET No.	TOTAL SHEETS
X	X	X	X	X	X
REGISTERED CIVIL ENGINEER			X	DATE	
PLANS APPROVAL DATE					
The State of California or its officers or agents shall not be responsible for the accuracy or completeness of electronic copies of this plan sheet.					



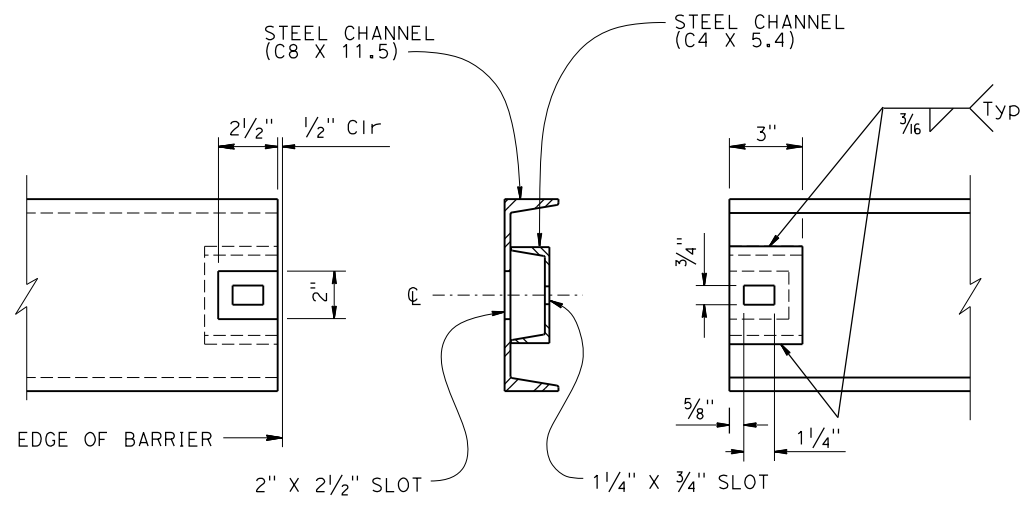
NOTES:
 1. For details not shown see Standard Plan A76A and A76B



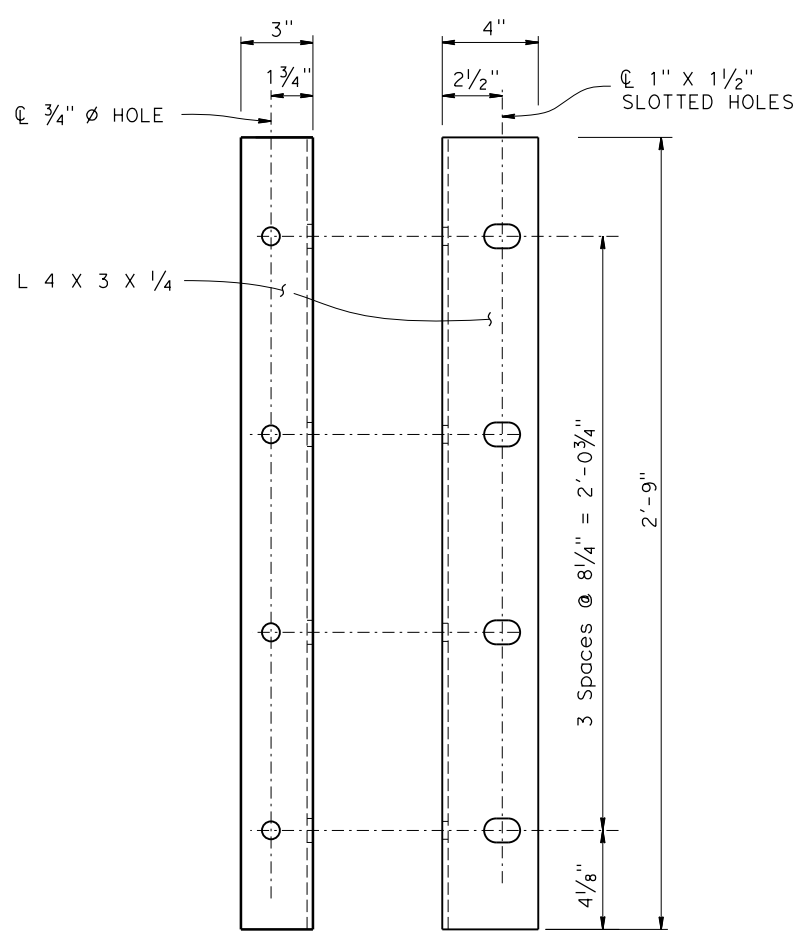
PICTORIAL VIEW
NO SCALE



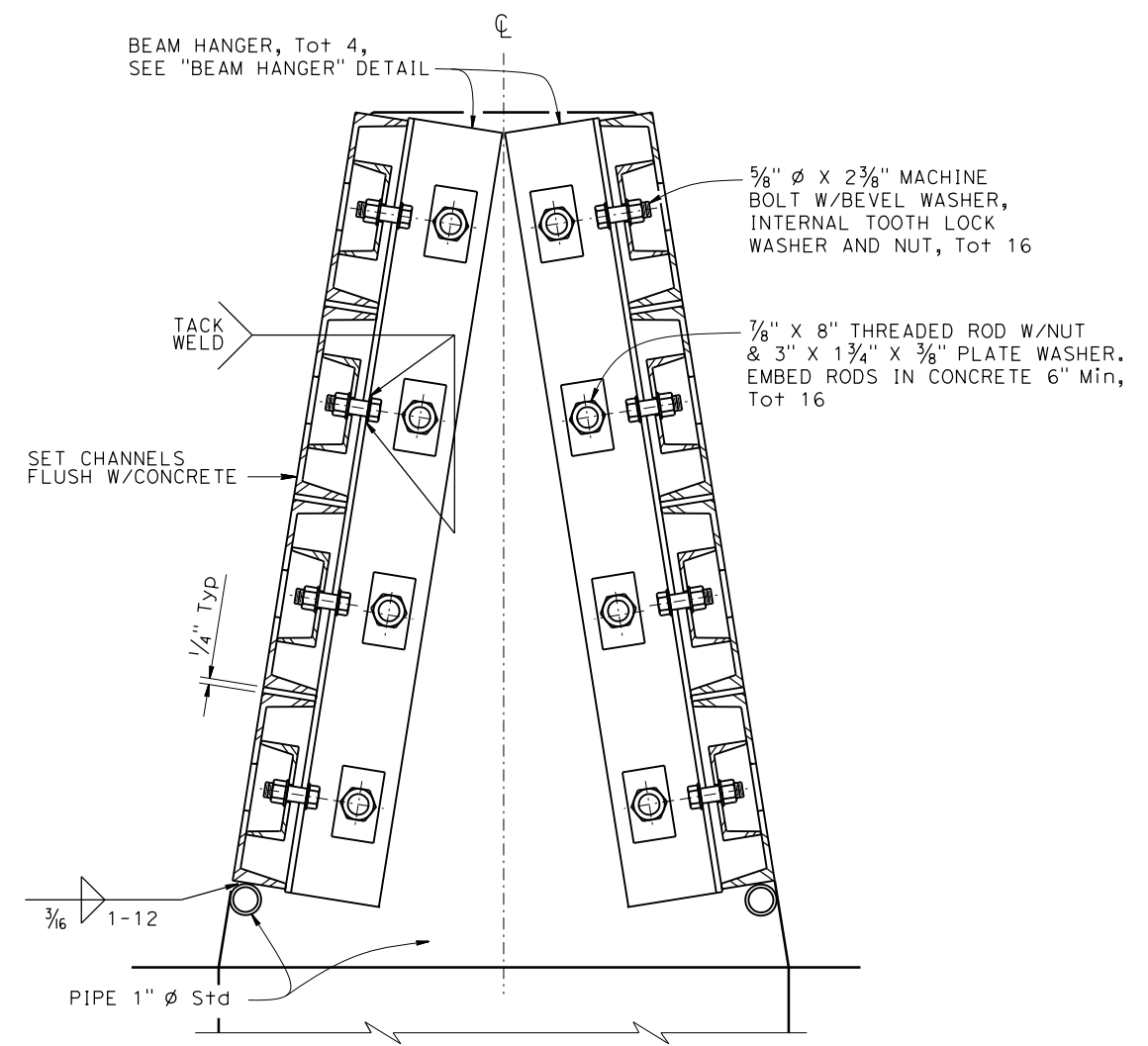
ELEVATION
1" = 1'-0"



SLOT DETAIL
3" = 1'-0"



BEAM HANGER
3" = 1'-0"



SECTION A-A
3" = 1'-0"

STANDARD DRAWING	
FILE NO. xs16-070	APPROVAL DATE July 2014

STATE OF CALIFORNIA DEPARTMENT OF TRANSPORTATION	DIVISION OF ENGINEERING SERVICES	BRIDGE NO. X	CONTRACT NO.: X
		POST MILE X	

X	
CONCRETE BARRIER TYPE 60	
STEEL CHANNEL CLOSURE DETAILS	