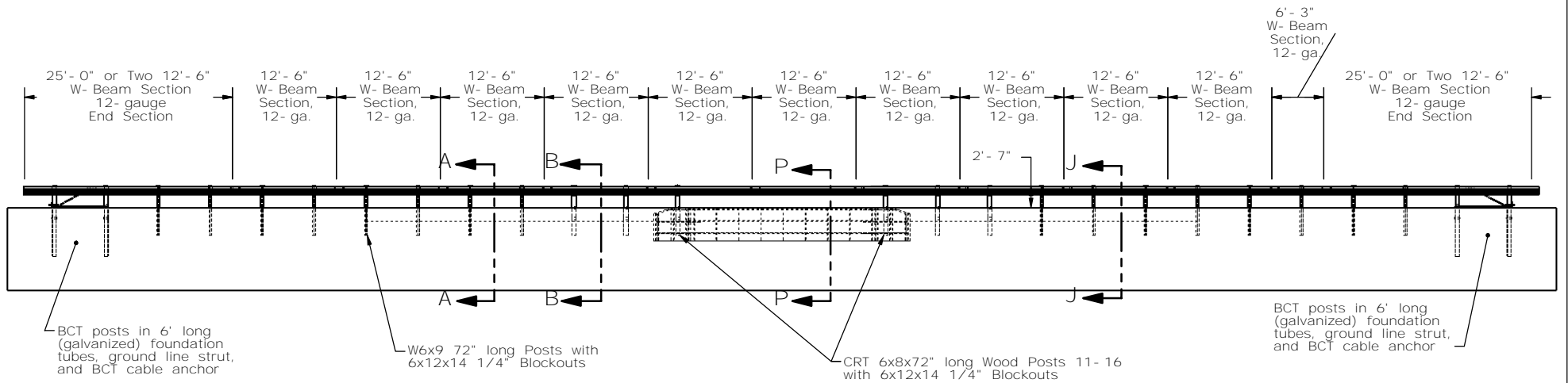
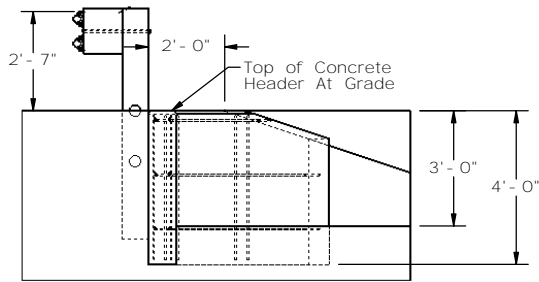


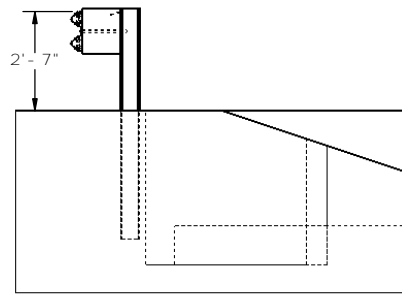
PLAN VIEW



PROFILE VIEW



SECTION P-P



SECTION J-J



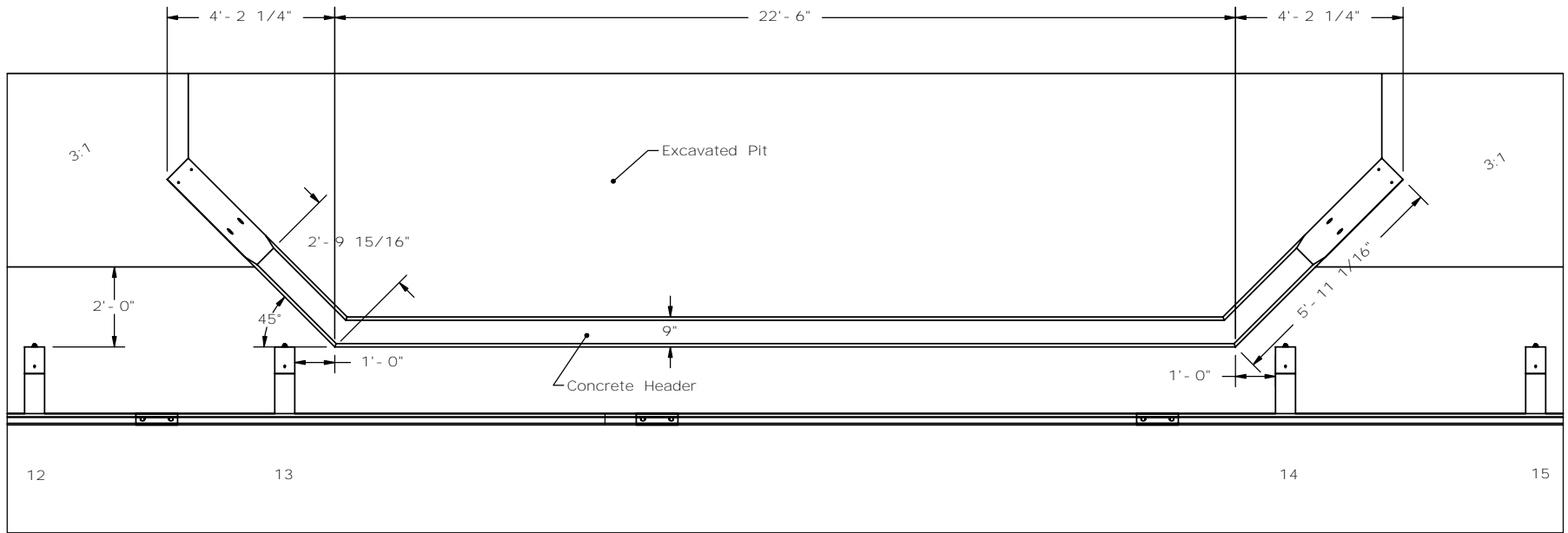
Midwest Roadside
Safety Facility

MGS Long Span LSC- 2
System Layout

DWG. NAME:
MGS_Longspan_LSC- 2_R2

SCALE: None
UNITS: Inches

SHEET:
1 of 10
DATE:
05/23/2006
DRAWN BY:
GEP
REV. BY:
KAP/CME



PLAN VIEW

IMPACT LOCATION TBA



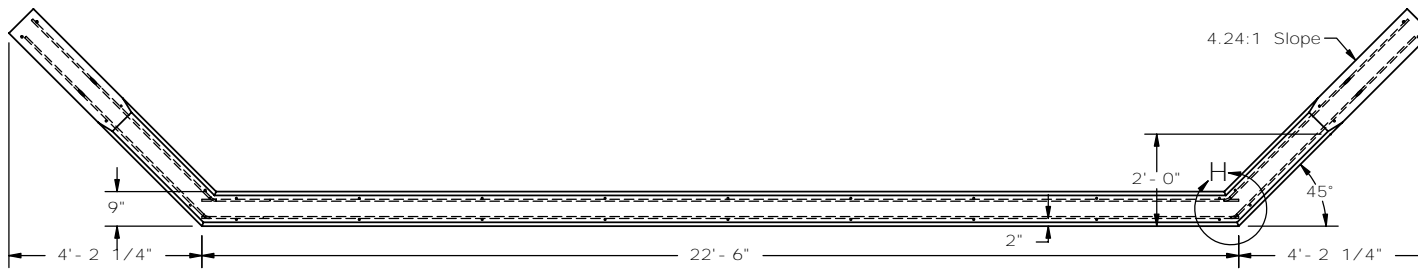
Midwest Roadside
Safety Facility

MGS Long Span LSC- 2
Soil Cut Details

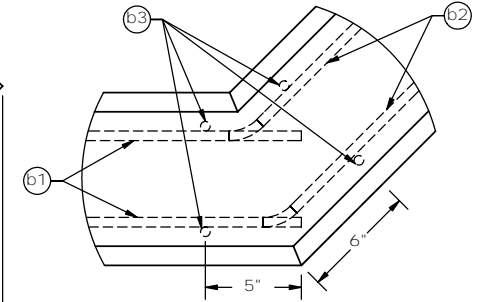
DWG. NAME:
MGS_Longspan_LSC- 2_R2

SCALE: None
UNITS: Inches

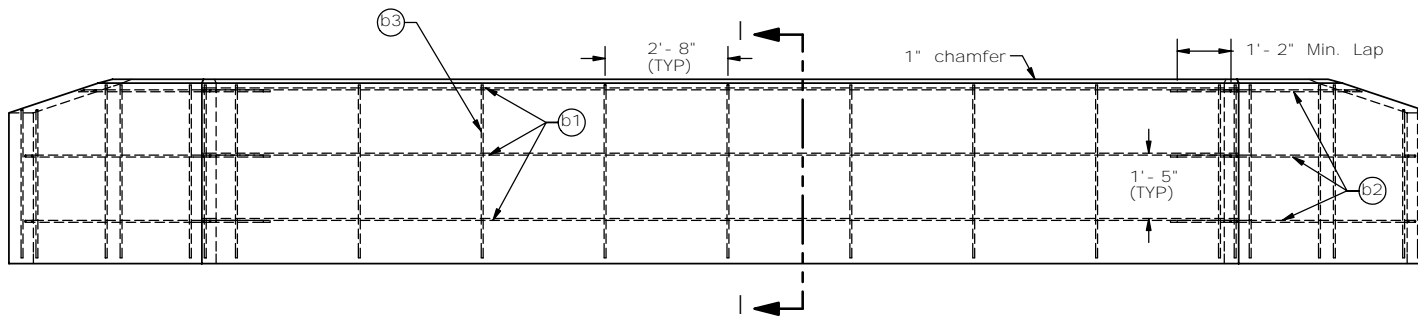
SHEET:
2 of 10
DATE:
05/23/2006
DRAWN BY:
GEP
REV. BY:
KAP/CME



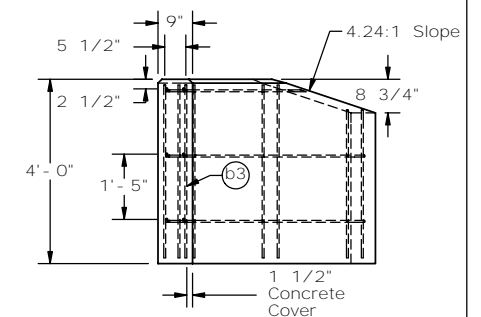
PLAN VIEW



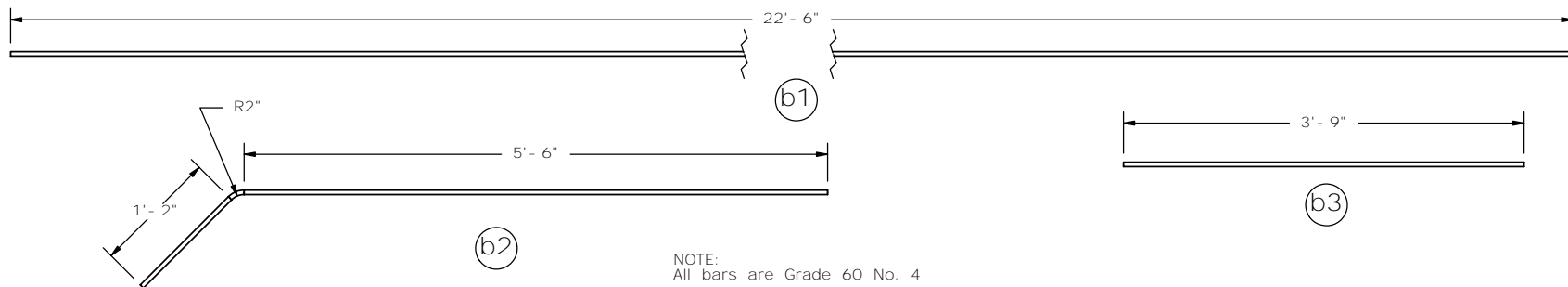
DETAIL H
SCALE 1 : 10



PROFILE VIEW



SECTION I-I



NOTE:
All bars are Grade 60 No. 4

Bill of Bars

Item No.	QTY.	Description	Material Specification
-	1	Concrete Header	f'c=4000 ksi
b1	6	#4 Bar - Longitudinal - 270" long	Grade 60 Steel
b2	12	#4 Bar - Bent Longitudinal - 80" long	Grade 60 Steel
b3	30	#4 Bar - Transverse - 45" long	Grade 60 Steel



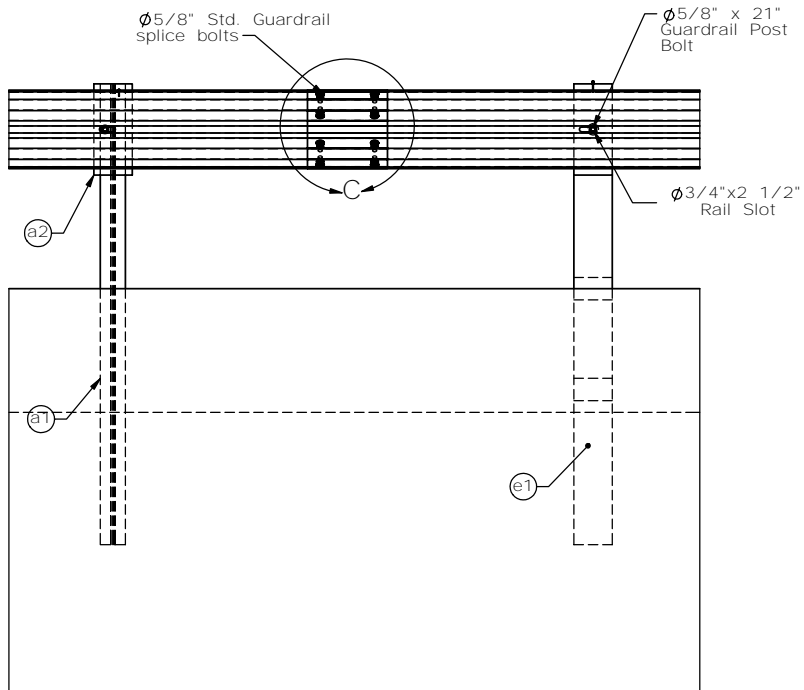
Midwest Roadside
Safety Facility

MGS Long Span LSC- 2
Concrete Header Details

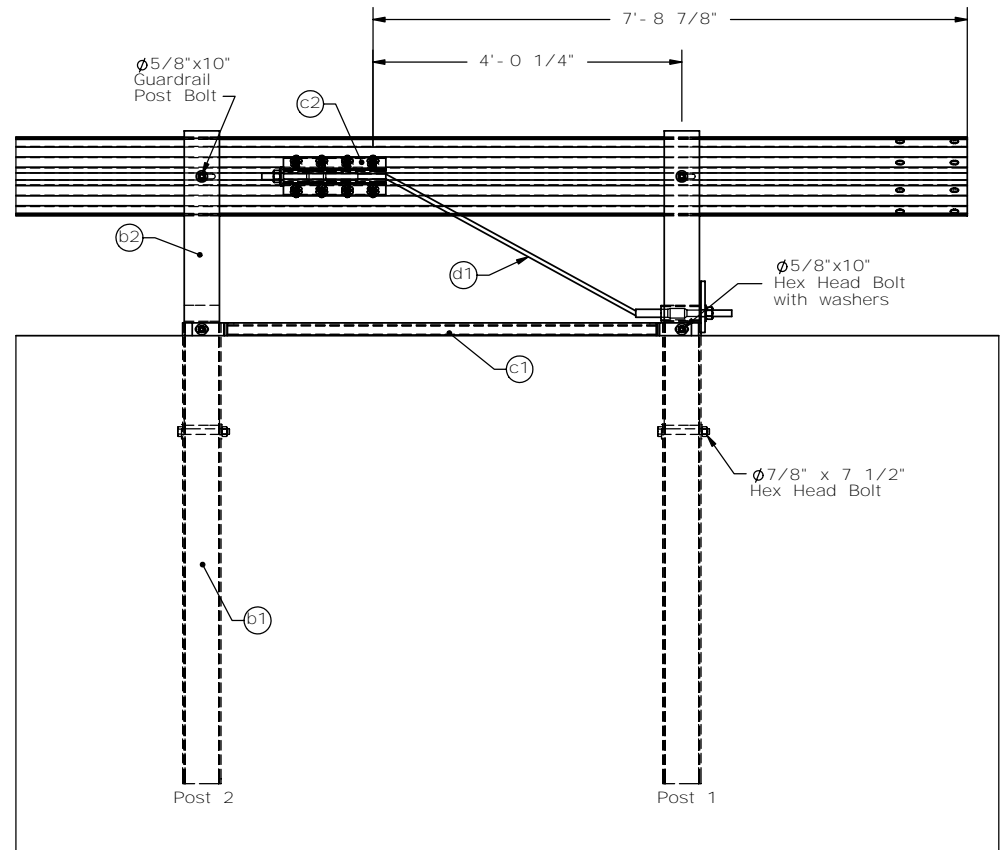
DWG. NAME:
MGS_Longspan_LSC- 2_R2

SCALE: None
UNITS: Inches

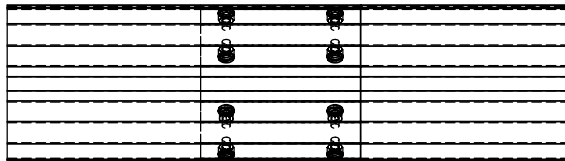
SHEET:
3 of 10
DATE:
05/23/2006
DRAWN BY:
GEP
REV. BY:
KAP/CME



SPLICE DETAIL



END RAIL DETAIL



DETAIL C
SCALE 1 : 15



Midwest Roadside
Safety Facility

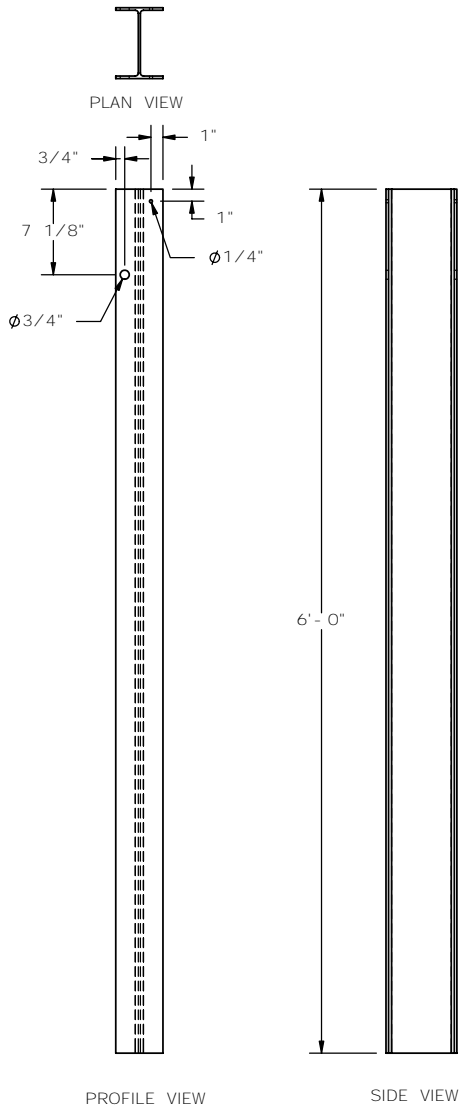
MGS Long Span LSC- 2

End Rail Detail
Splice Detail

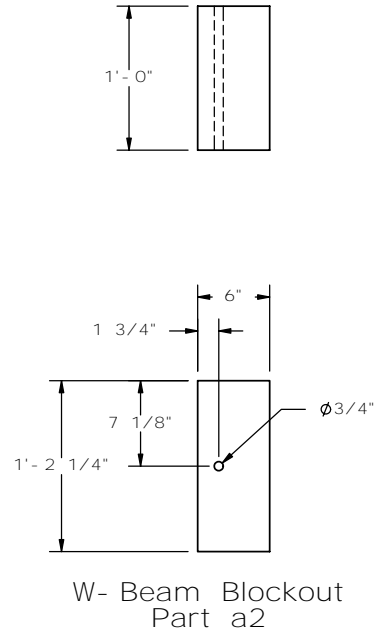
DWG. NAME:
MGS_Longspan_LSC- 2_R2

SCALE: None
UNITS: Inches

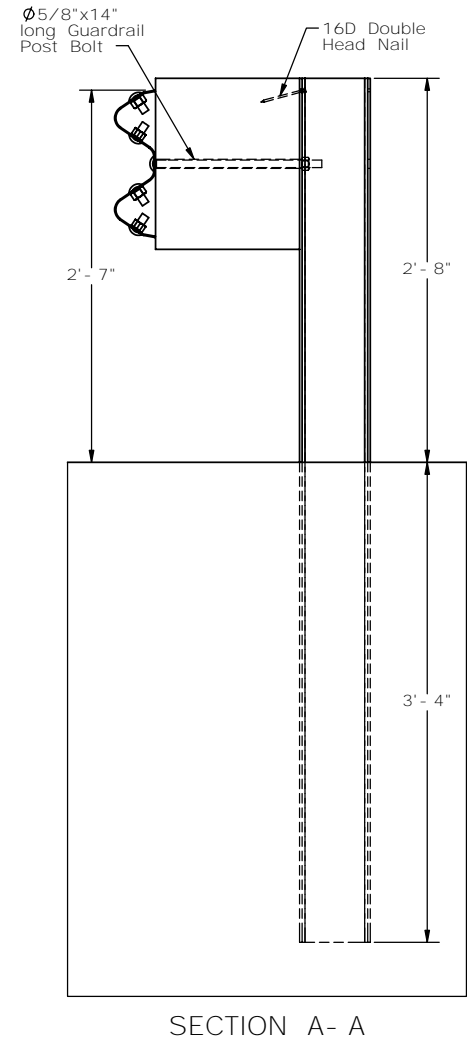
SHEET:
4 of 10
DATE:
05/23/2006
DRAWN BY:
GEP
REV. BY:
KAP/CME



W- Beam Post
Part a1



W- Beam Blockout
Part a2



SECTION A-A



Midwest Roadside
Safety Facility

MGS Long Span LSC- 2

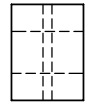
Post 3- 10 &
17- 24 Detail
W6x9 Posts

DWG. NAME.
MGS_Longspan_LSC- 2_R2

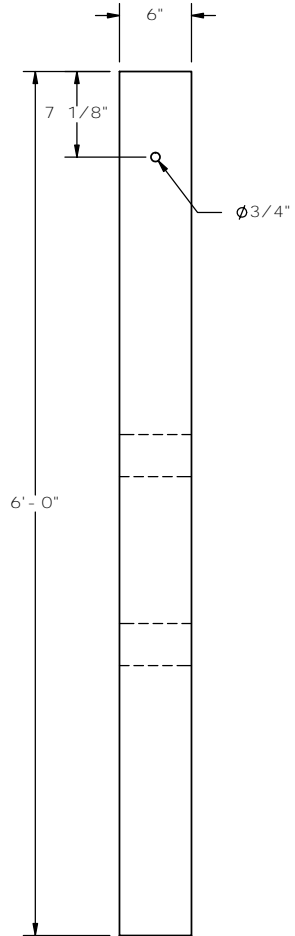
SCALE: None
UNITS: Inches

SHEET:
5 of 10
DATE:
05/23/2006
DRAWN BY:
GEP

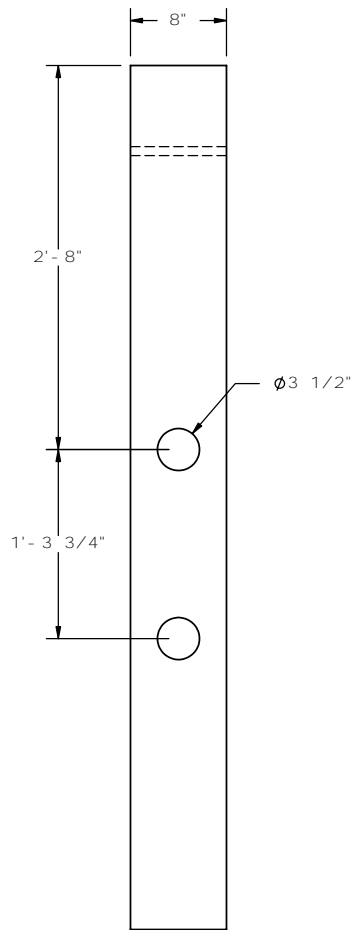
REV. BY:
KAP/CME



PLAN VIEW

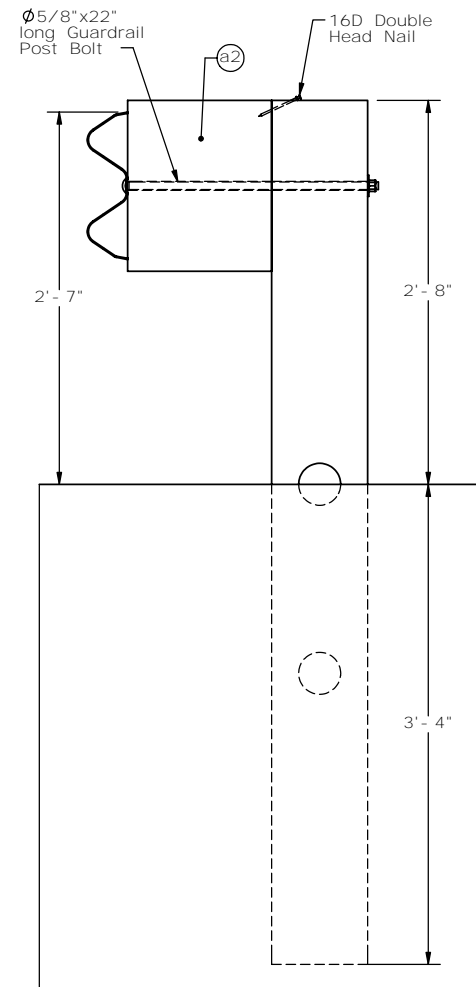


PROFILE VIEW



SIDE VIEW

CRT Wood Post
Part e1



SECTION B- B



Midwest Roadside
Safety Facility

MGS Long Span LSC- 2

Post 11- 16 Detail
CRT Wood Posts

DWG. NAME:
MGS_Longspan_LSC- 2_R2

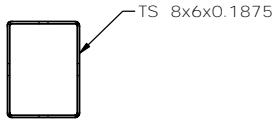
SCALE: None
UNITS: Inches

SHEET:
6 of 10

DATE:
05/23/2006

DRAWN BY:
GEP

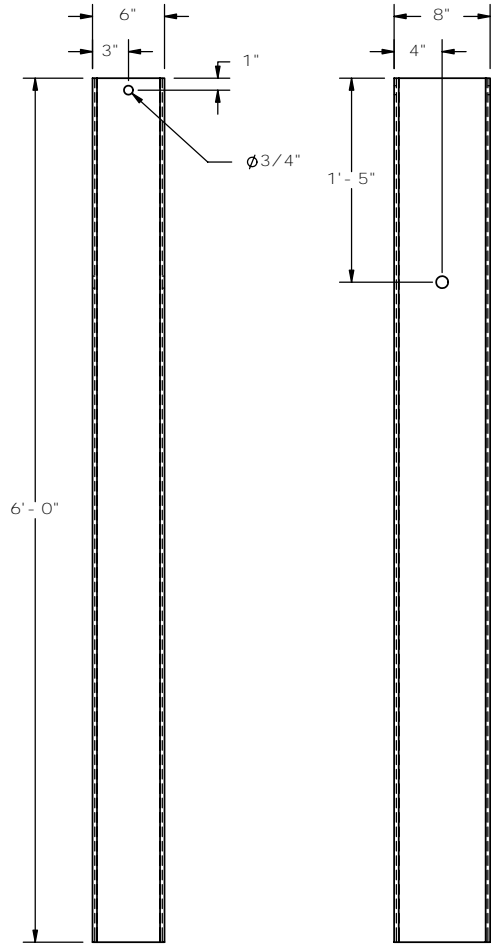
REV. BY:
KAP/CME



PLAN VIEW



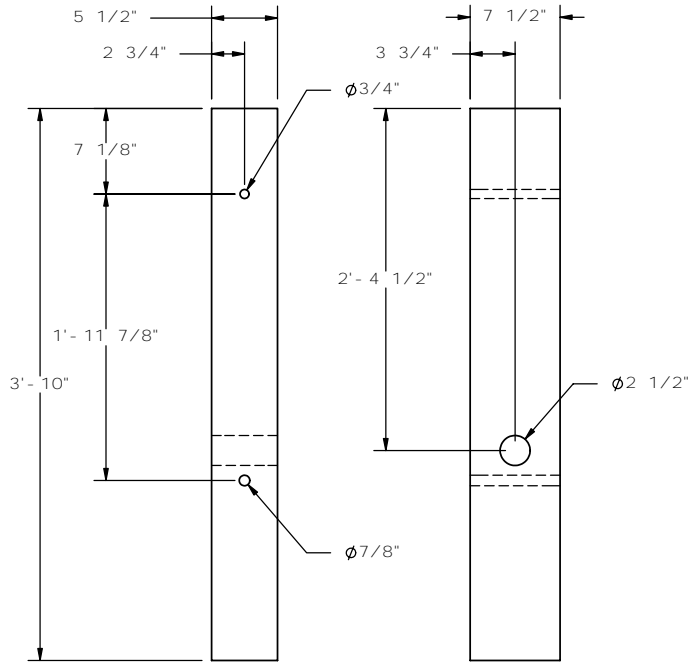
PLAN VIEW



PROFILE VIEW

SIDE VIEW

Foundation Tube
Part b1



PROFILE VIEW

SIDE VIEW

BCT (MGS) Timber Post
Part b2



Midwest Roadside
Safety Facility

MGS Long Span LSC- 2

BCT Timber Posts &
Foundation Tube Detail

SHEET:
7 of 10

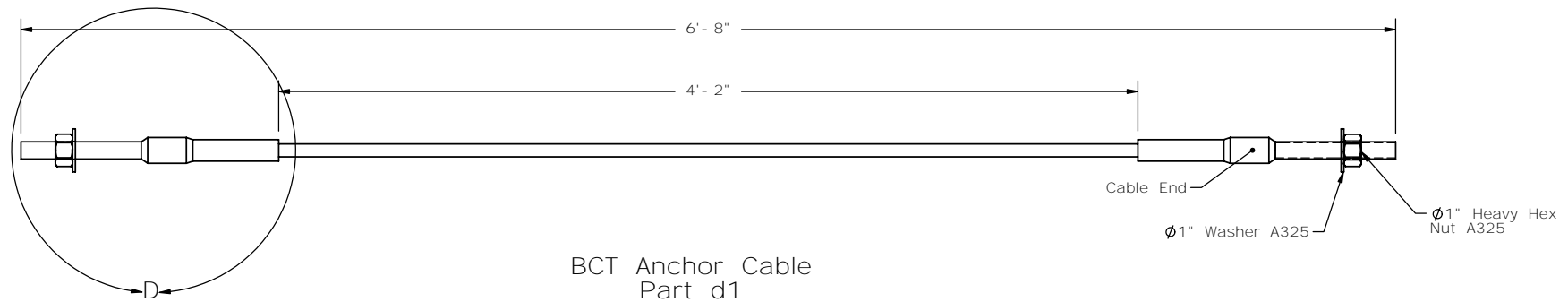
DATE:
05/23/2006

DRAWN BY:
GEP

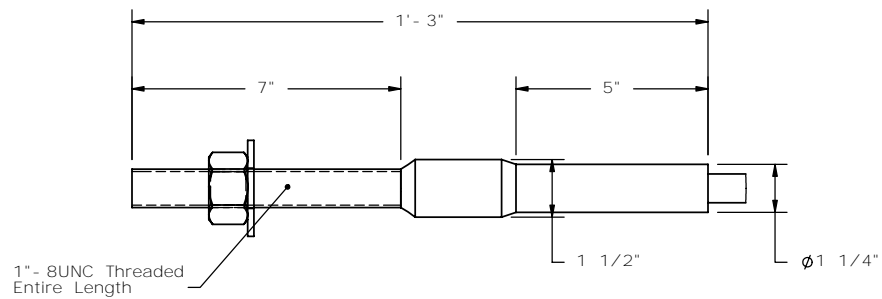
DWG. NAME:
MGS_Longspan_LSC- 2_R2

SCALE: None
UNITS: Inches

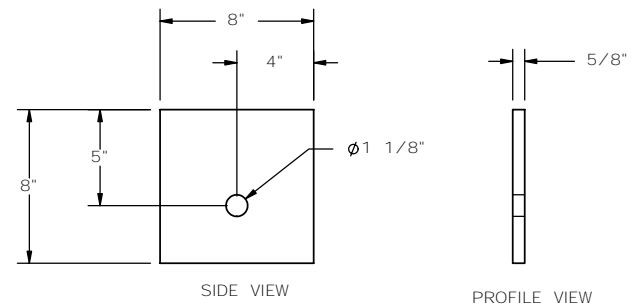
REV. BY:
KAP/CME



BCT Anchor Cable
Part d1



DETAIL D
SCALE 1 : 5



Anchor Cable
Bearing Plate
Part d2



Midwest Roadside
Safety Facility

MGS Long Span LSC- 2

BCT Anchor Cable Detail

SHEET:
8 of 10

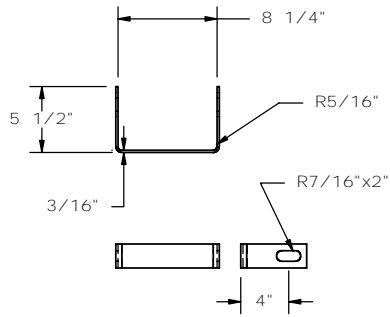
DATE:
05/23/2006

DRAWN BY:
GEP

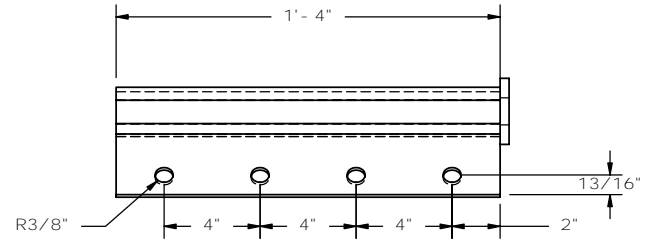
DWG. NAME:
MGS_Longspan_LSC- 2_R2

SCALE: None
UNITS: Inches

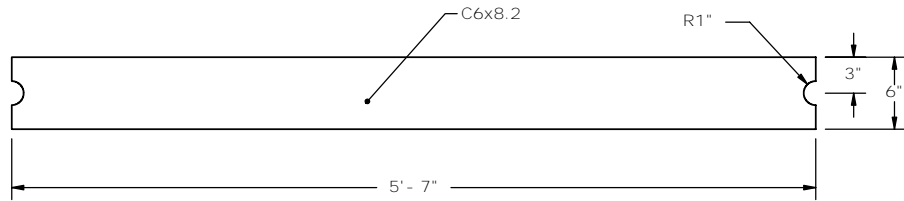
REV. BY:
KAP/CME



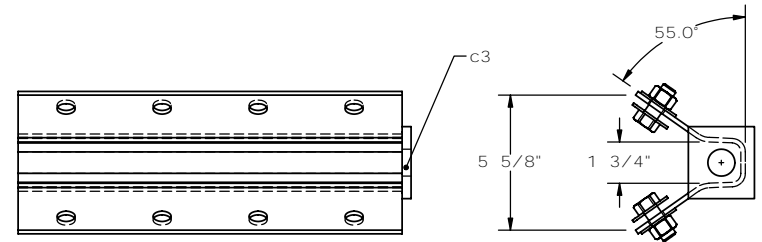
Yoke Detail



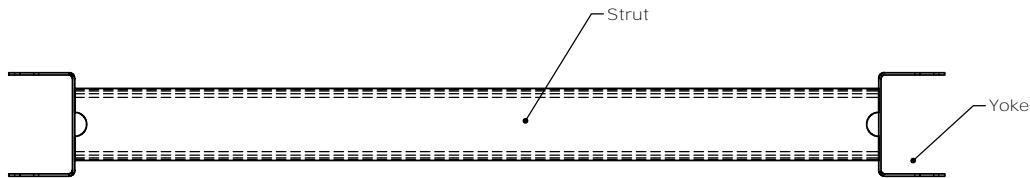
Anchor Bracket
Part c2



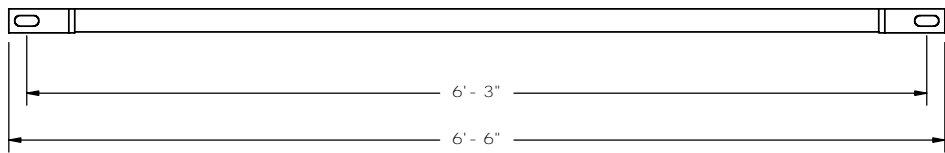
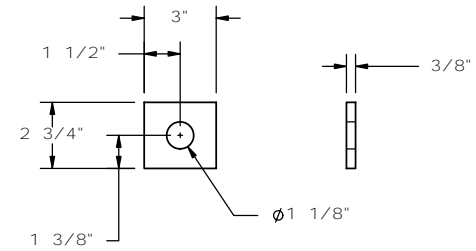
Strut Detail



Anchor Bracket
Bearing Plate
Part c3



PLAN VIEW



PROFILE VIEW

Ground Strut
Part c1



Midwest Roadside
Safety Facility

MGS Long Span LSC- 2

Ground Strut & Anchor
Bracket Details

SHEET:
9 of 10

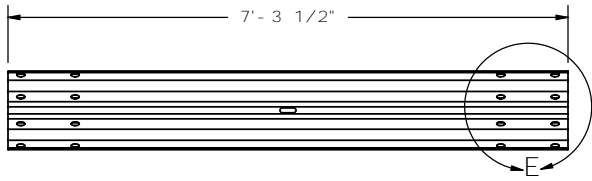
DATE:
05/23/2006

DRAWN BY:
GEP

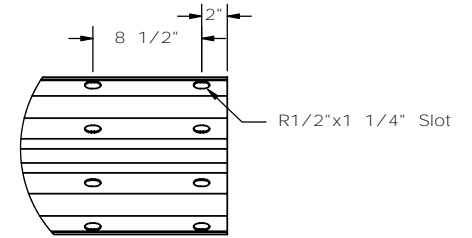
DWG. NAME:
MGS_Longspan_LSC- 2_R2

SCALE: None
UNITS: Inches

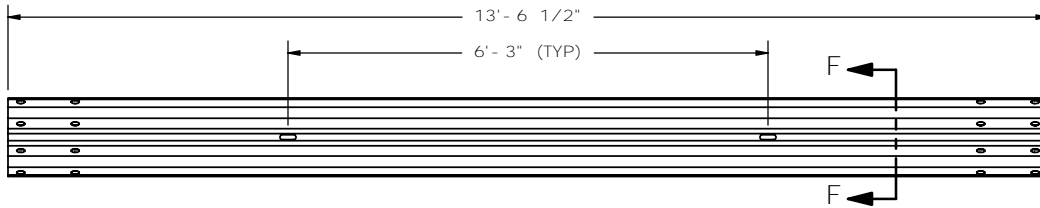
REV. BY:
KAP/CME



6'- 3" W- Beam Section, 12 gauge



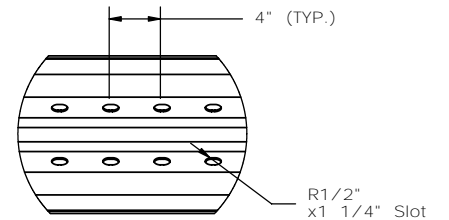
DETAIL E
SCALE 1 : 15



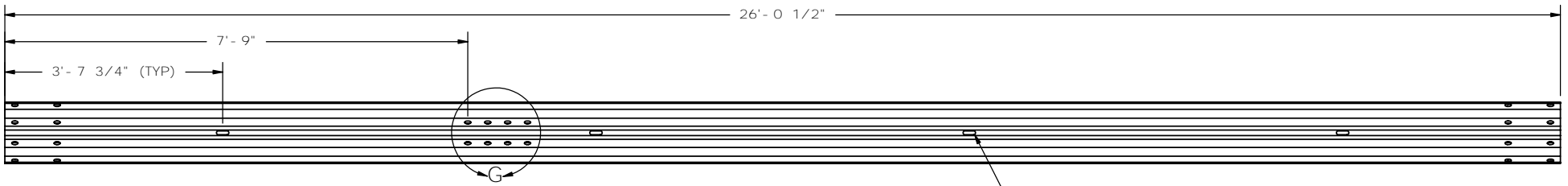
12'- 6" W- Beam Section, 12 gauge



SECTION F- F



DETAIL G
SCALE 1 : 15



25' W- Beam Section, 12 gauge, End Section



Midwest Roadside
Safety Facility

MGS Long Span LSC- 2
Rail Section Details

DWG. NAME:
MGS_Longspan_LSC- 2_R2

SCALE: None
UNITS: Inches

SHEET:
10 of 10
DATE:
05/23/2006
DRAWN BY:
GEP
REV. BY:
KAP/CME