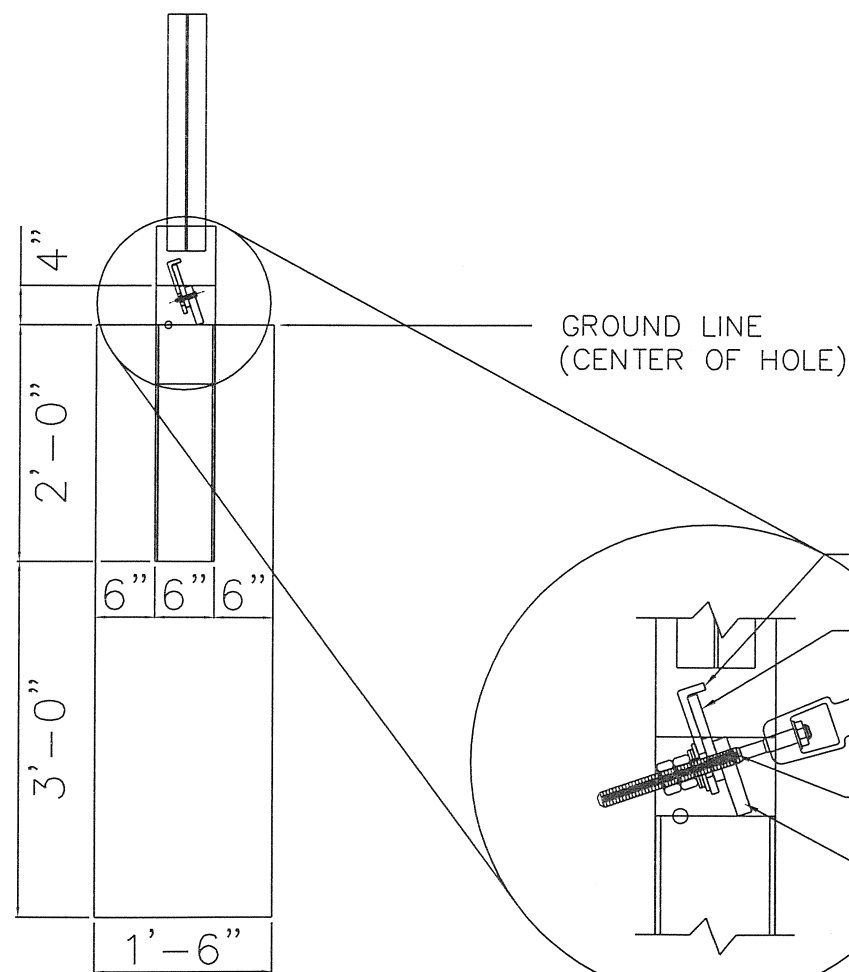
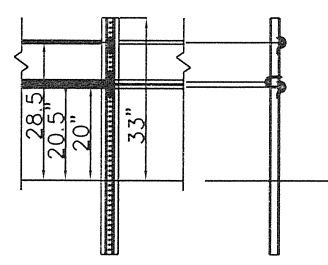


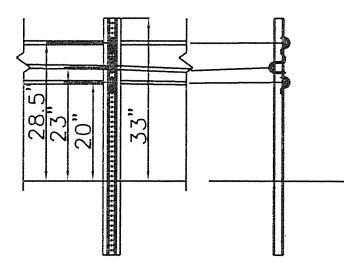
① THE OPPOSING END TREATMENTS ON A PARTICULAR RUN ARE MIRRORED IN THEIR LAYOUT.



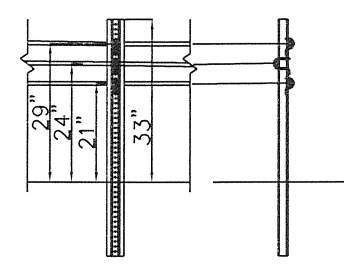
CRP IN CONCRETE FOOTING
REINFORCEMENT NOT SHOWN FOR CLARITY
(3000 PSI MIN CONCRETE)



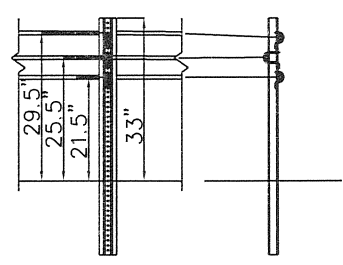
POSTS 4-7
HEIGHT TOLERANCES:
TOP & MIDDLE CABLE: ±1"
BOTTOM CABLE +0, -2"



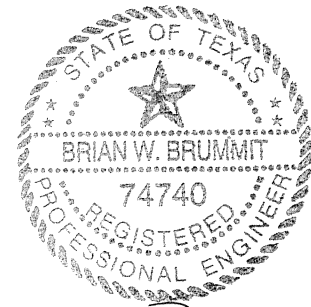
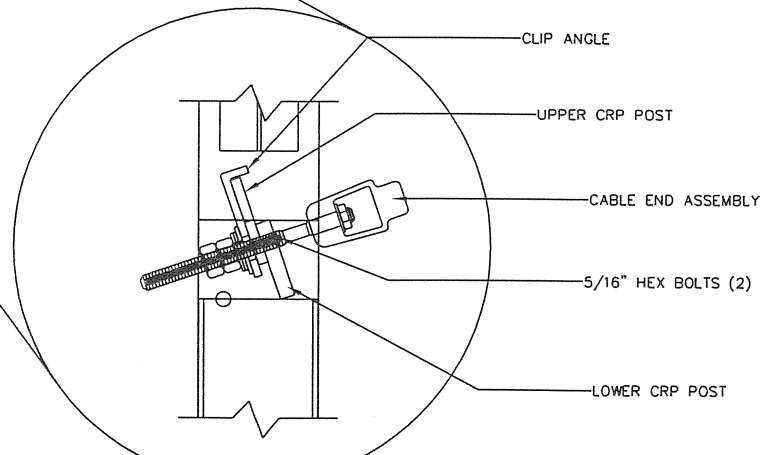
POST 8
HEIGHT TOLERANCES:
TOP & MIDDLE CABLE: ±1"
BOTTOM CABLE +0, -2"



POST 9
HEIGHT TOLERANCES:
TOP & MIDDLE CABLE: ±1"
BOTTOM CABLE +0, -2"



LINE POSTS
HEIGHT TOLERANCES:
TOP & MIDDLE CABLE: ±1"
BOTTOM CABLE +0, -2"



Brian W. Brummit 7/17/06

THE SEAL ON THIS DRAWING IS TO ACKNOWLEDGE THE REVIEW OF THIS STANDARD DRAWING AGAINST THE AS-TESTED INSTALLATION AS DOCUMENTED BY THE TTI REPORT 400001-NSM4 DATED APRIL 2006.

| | | |
|--------------------------------------------------------------|----------|----------------|
| G.S.I. HIGH TENSION CABLE, LP | | |
| 720 W. WINTERGREEN RD., HUTCHINS, TEXAS 75141 (972) 225-1660 | | |
| CONTRACTOR: | | |
| SCALE: NONE | GSI#: | DATE: 09/27/05 |
| REVISED: 05/26/06 | CHECKED: | DRAWN: DUGAN |
| CABLE END TERMINAL INSTALLATION | | |
| MEDIAN APPLICATIONS | | |
| U.S. HIGH TENSION CABLE BARRIER | | 1 / 1 |