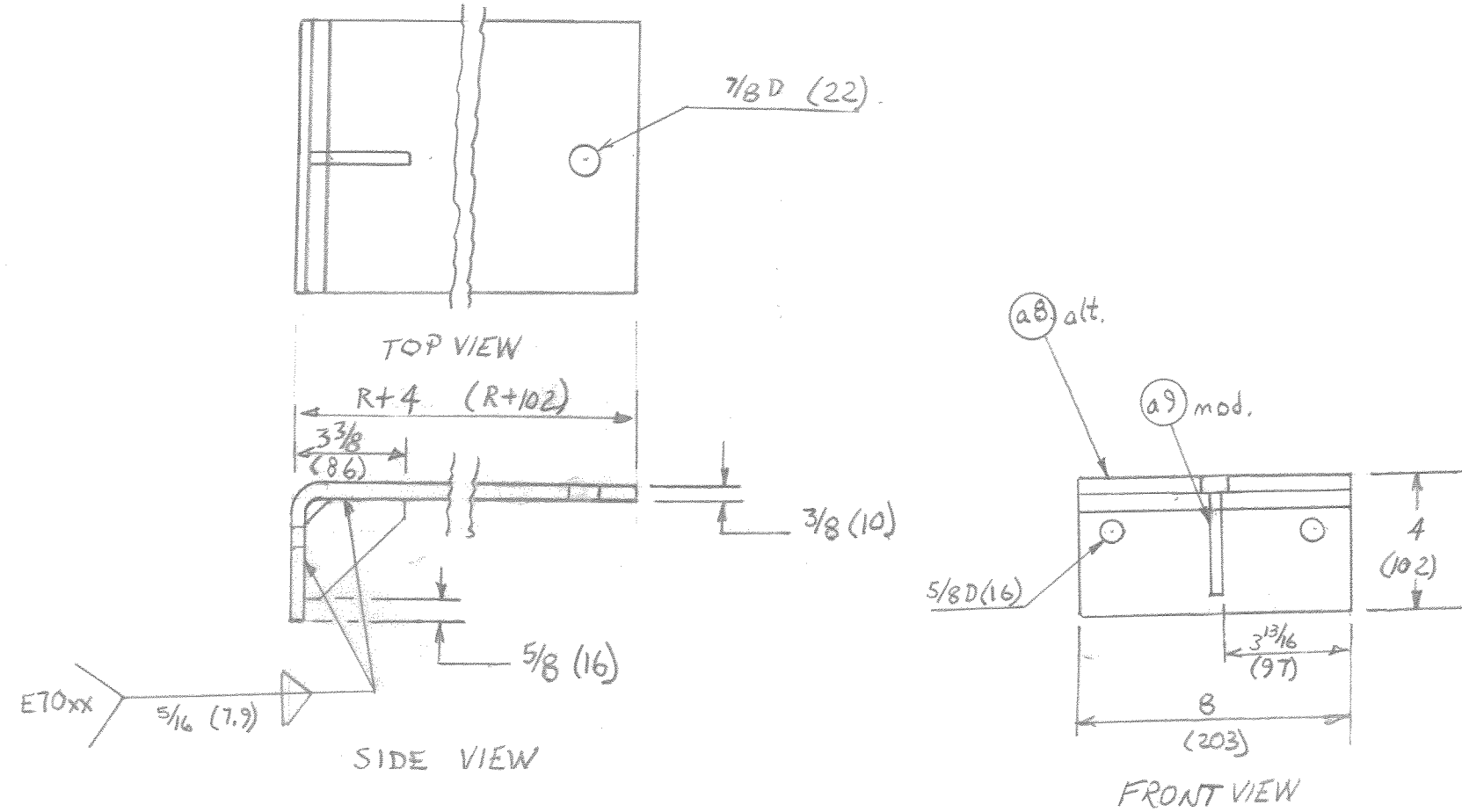


BOTTOM BRACKET ASSEMBLY
($R \leq 3''$)

Ref 2, p 163



BOTTOM BRACKET ASSEMBLY
($R > 3''$)

Ref 3
i Ref 2 (p 163)