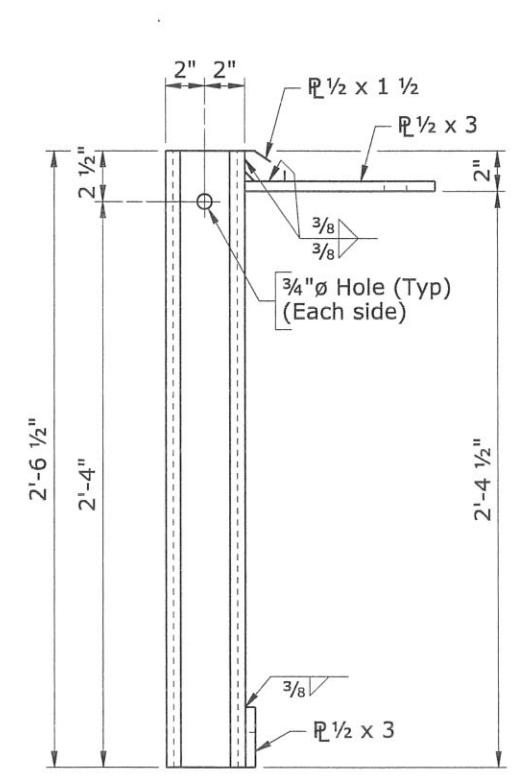
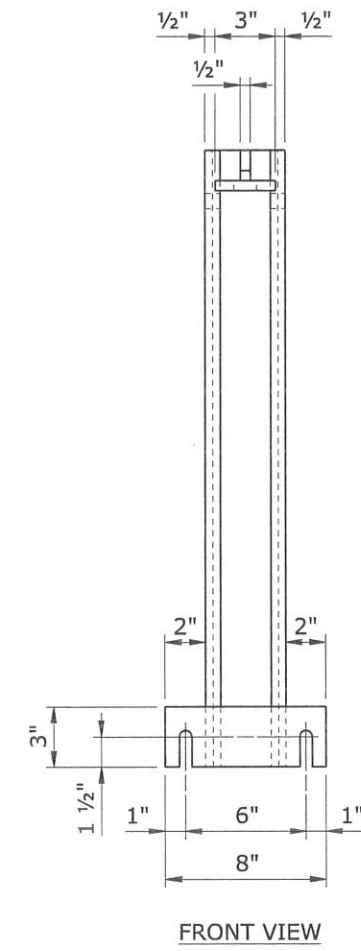


ASSEMBLY DETAIL

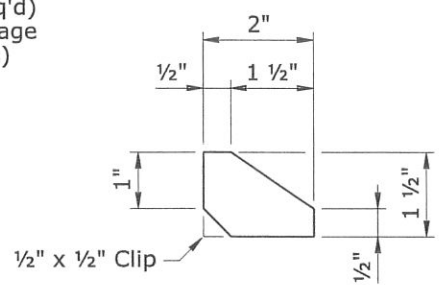


SIDE VIEW

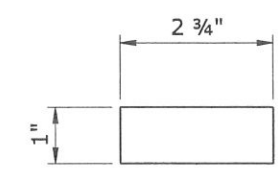


FRONT VIEW

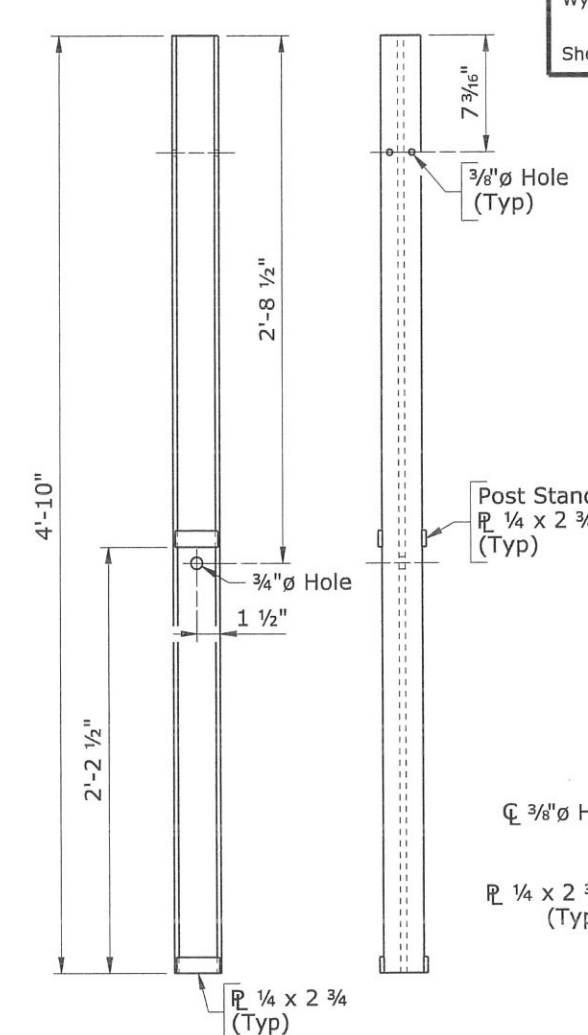
SOCKET DETAILS



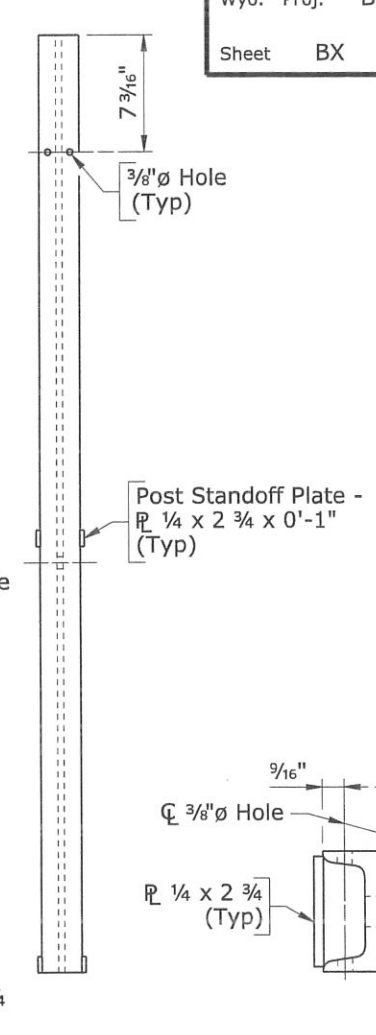
GUSSET PLATE DETAIL



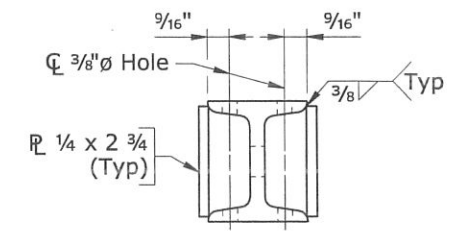
POST STANDOFF PLATE DETAIL



SIDE VIEW

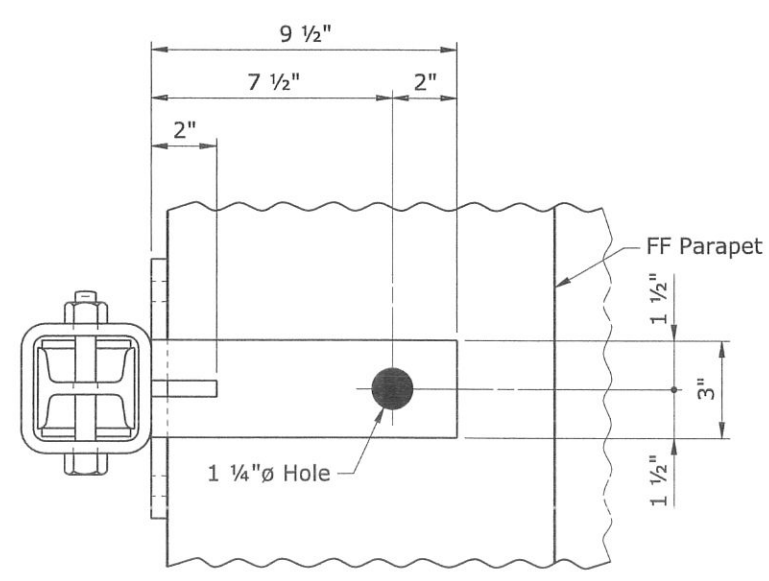


FRONT VIEW

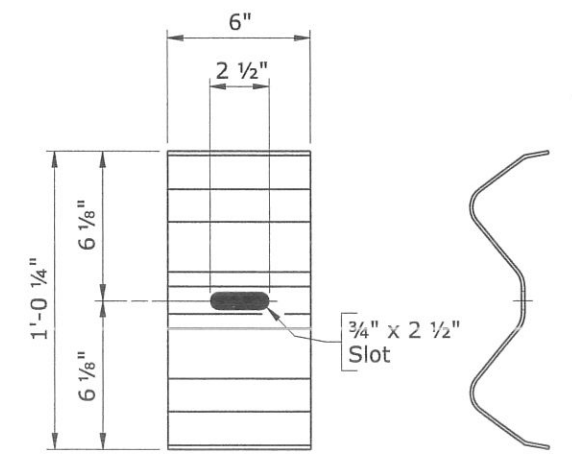


TOP VIEW

POST DETAILS



VIEW A-A
 (Anchor bolt, guardrail and rail bolt not shown)



ELEVATION VIEW



SIDE VIEW

BACKING PLATE AT POST LOCATIONS

RM 246.70
 ST. MARY'S CREEK

WYOMING DEPARTMENT OF TRANSPORTATION BRIDGE PROGRAM		BRIDGE RAILING DETAILS	
#1 check		BRIDGE REHABILITATION	
4-28-14		VARIOUS LOCATIONS	
		District 1	
		Bridge Rail Upgrades	
APPROVED		B141027 Cb	
DESIGN	AJM	Design Section	R T Shields
DETAIL	X	Drwg No.	7666
QTY'S	X	Sheet	X of X