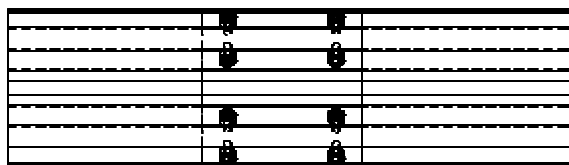
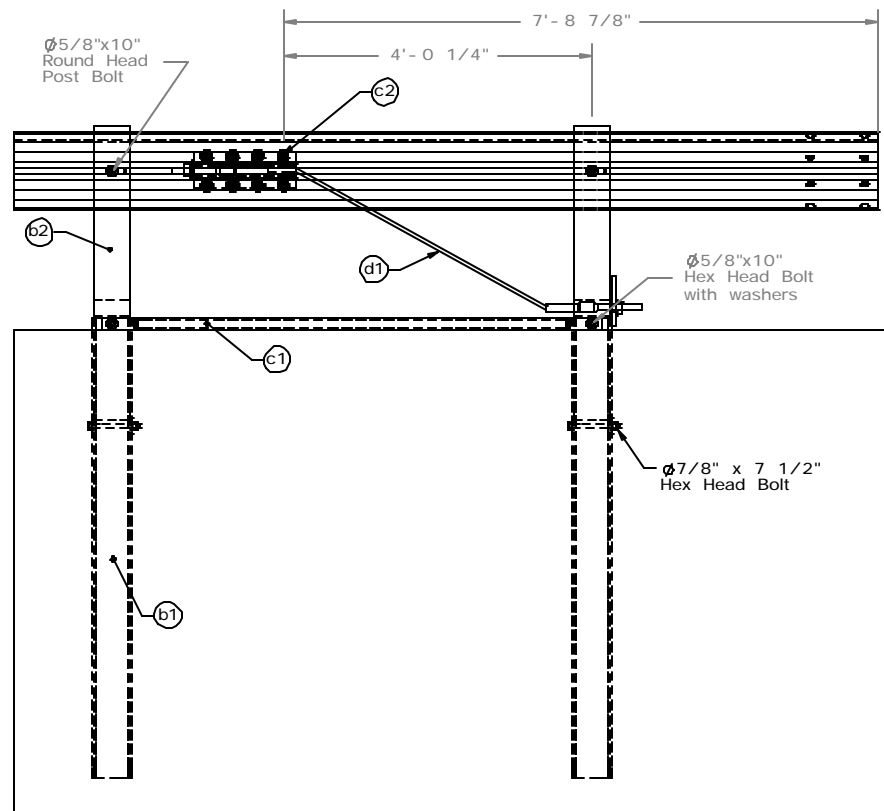


SPLICE DETAIL



DETAIL C  
SCALE 1 : 15



END RAIL DETAIL



Midwest Roadside  
Safety Facility

MGS Standard with Curb

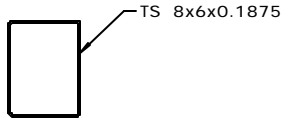
End Rail Detail  
Splice Detail

DWG. NAME.  
MGS\_Standard\_Curb\_NPG5

SCALE: None  
UNITS: Inches

SHEET:  
2 of 7  
DATE:  
01/09/2005  
DRAWN BY:  
GEP  
REV. BY:  
KAP

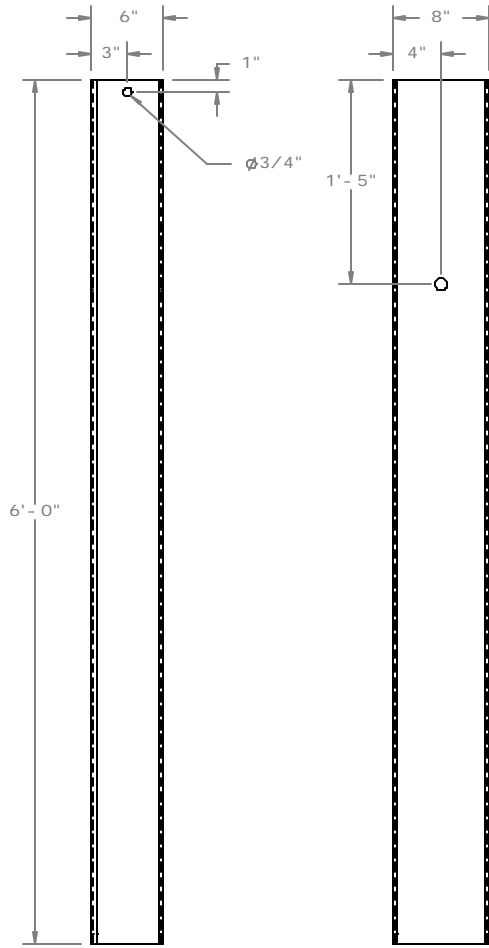




PLAN VIEW



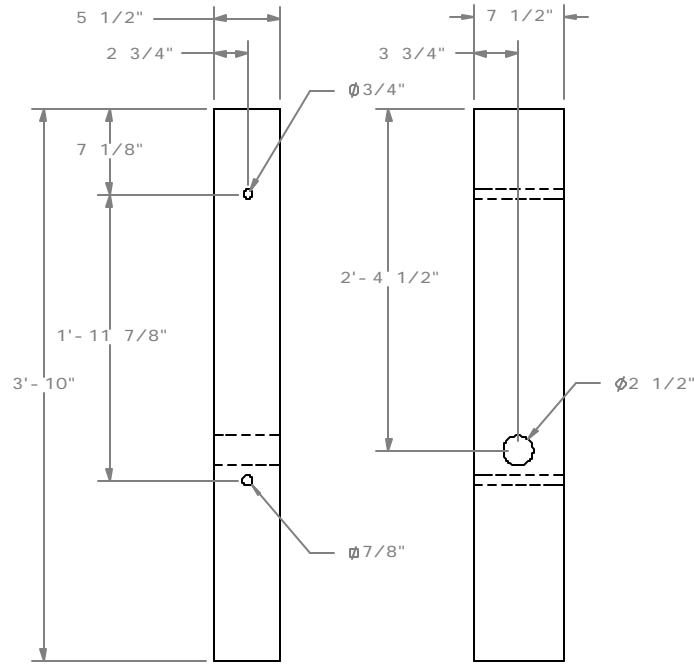
PLAN VIEW



PROFILE VIEW

SIDE VIEW

Foundation Tube  
Part b1



PROFILE VIEW

SIDE VIEW

BCT (MGS) Timber Post  
Part b2



Midwest Roadside  
Safety Facility

MGS Standard with Curb  
BCT Timber Posts &  
Foundation Tube Detail

SHEET:

4 of 7

DATE:

01/09/2005

DRAWN BY:

GEP

DWG. NAME.

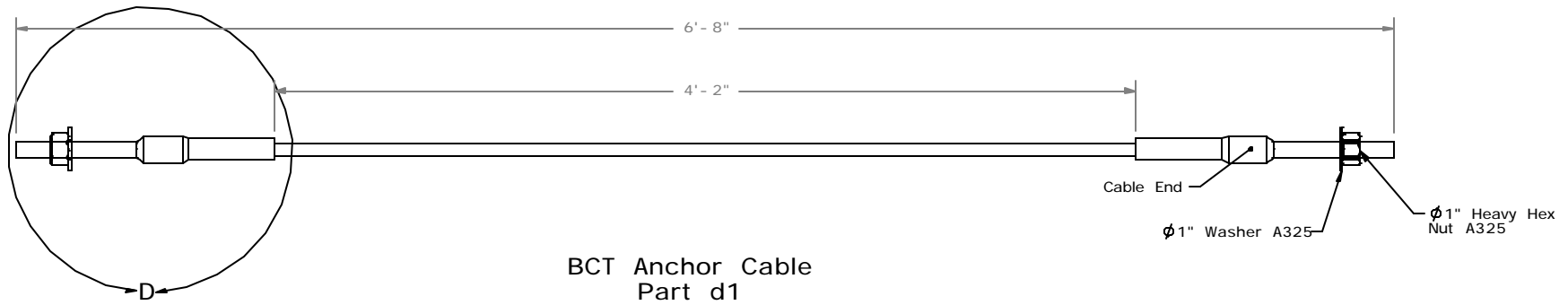
MGS\_Standard\_Curb\_NPG5

SCALE: None

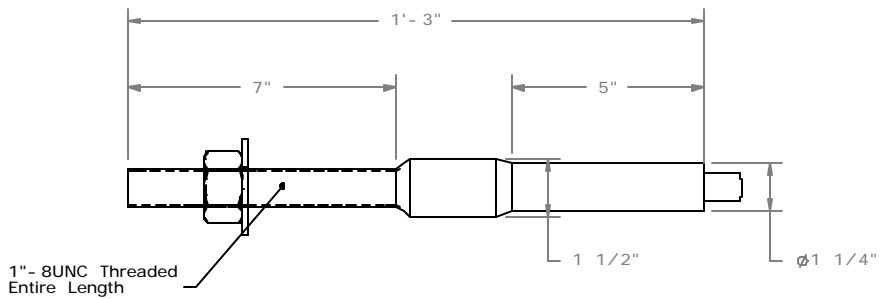
UNITS: Inches

REV. BY:

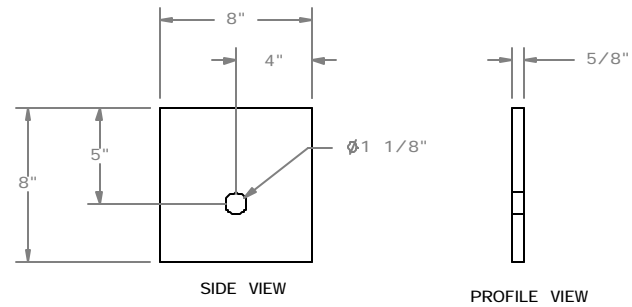
KAP



BCT Anchor Cable  
Part d1



DETAIL D  
SCALE 1 : 5



Anchor Cable  
Bearing Plate  
Part d2



Midwest Roadside  
Safety Facility

MGS Standard with Curb

BCT Anchor Cable Detail

SHEET:

5 of 7

DATE:

01/09/2005

DRAWN BY:

GEP

DWG. NAME.

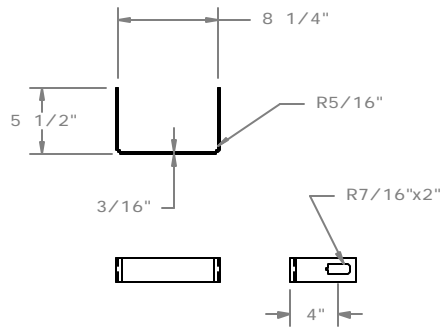
MGS\_Standard\_Curb\_NPG5

SCALE: None

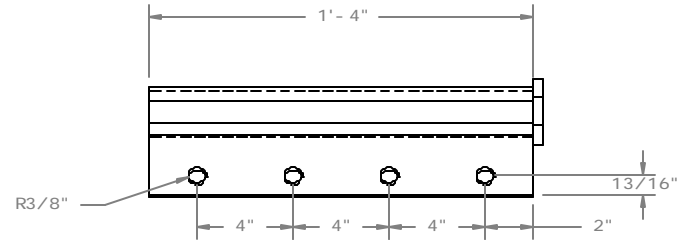
UNITS: Inches

REV. BY:

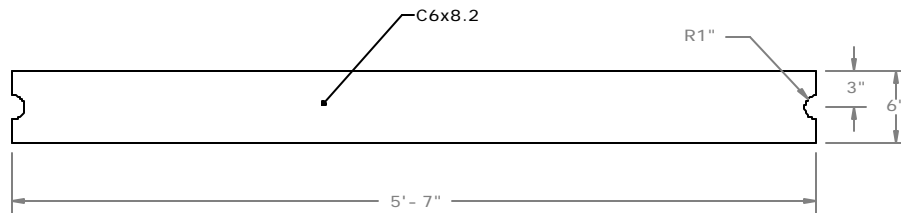
KAP



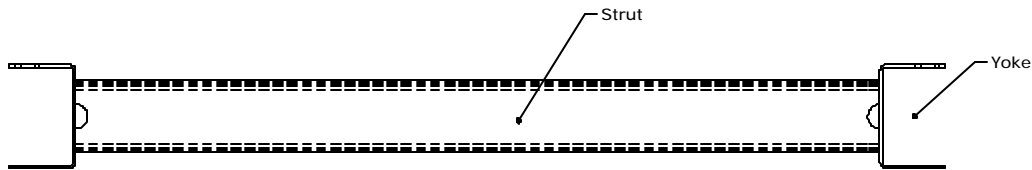
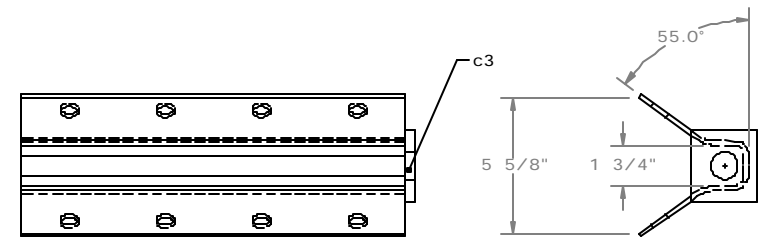
Yoke Detail



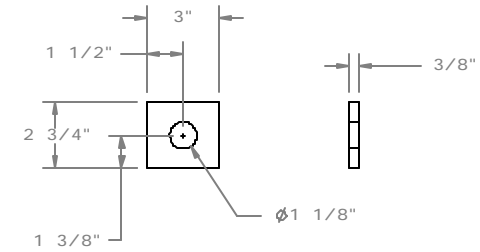
Anchor Bracket  
Part c2



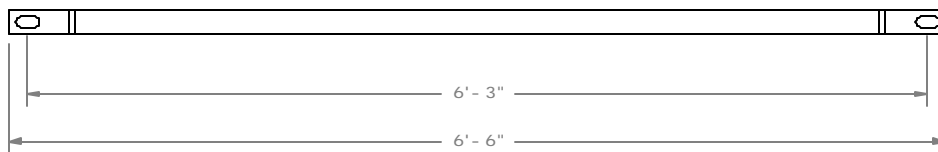
Strut Detail



PLAN VIEW



Anchor Bracket  
Bearing Plate  
Part c3



PROFILE VIEW

Ground Strut  
Part c1



Midwest Roadside  
Safety Facility

MGS Standard with Curb

Ground Strut & Anchor  
Bracket Details

SHEET:

6 of 7

DATE:

01/09/2005

DRAWN BY:

GEP

REV. BY:

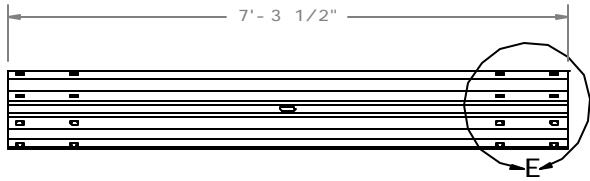
KAP

DWG. NAME.

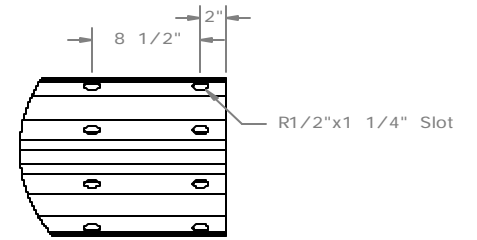
MGS\_Standard\_Curb\_NPG5

SCALE: None

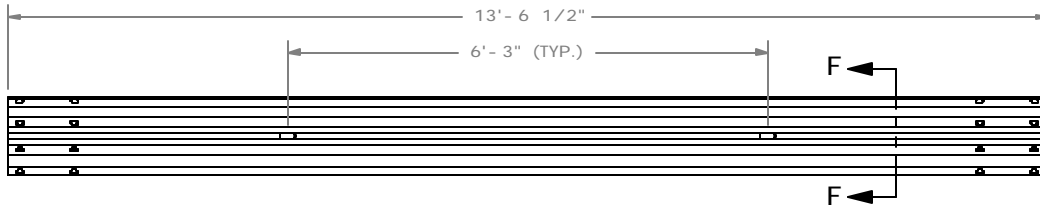
UNITS: Inches



6'- 3" W- Beam Section, 12 gauge



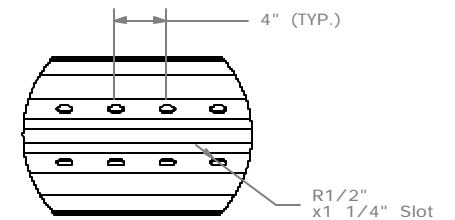
DETAIL E  
SCALE 1 : 15



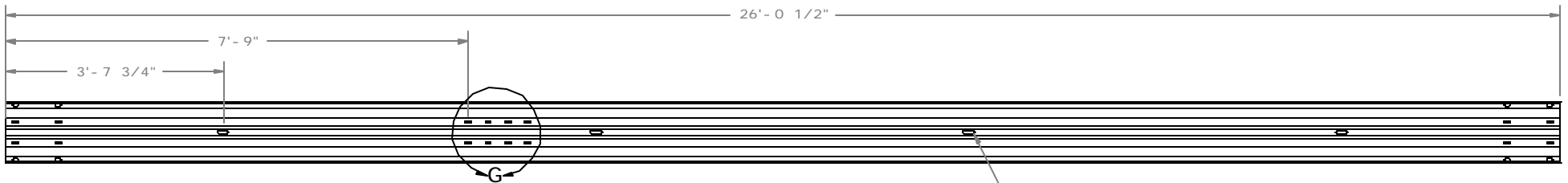
12'- 6" W- Beam Section, 12 gauge



SECTION F- F



DETAIL G  
SCALE 1 : 15



25' W- Beam Section, 12 gauge, End Section



Midwest Roadside  
Safety Facility

MGS Standard with Curb  
Rail Section Details

DWG. NAME:  
MGS\_Standard\_Curb\_NPG5

SCALE: None  
UNITS: Inches

SHEET:  
7 of 7  
DATE:  
01/09/2005  
DRAWN BY:  
GEP  
REV. BY:  
KAP